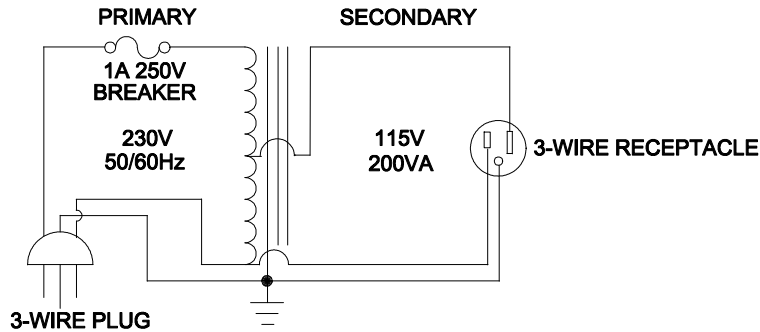
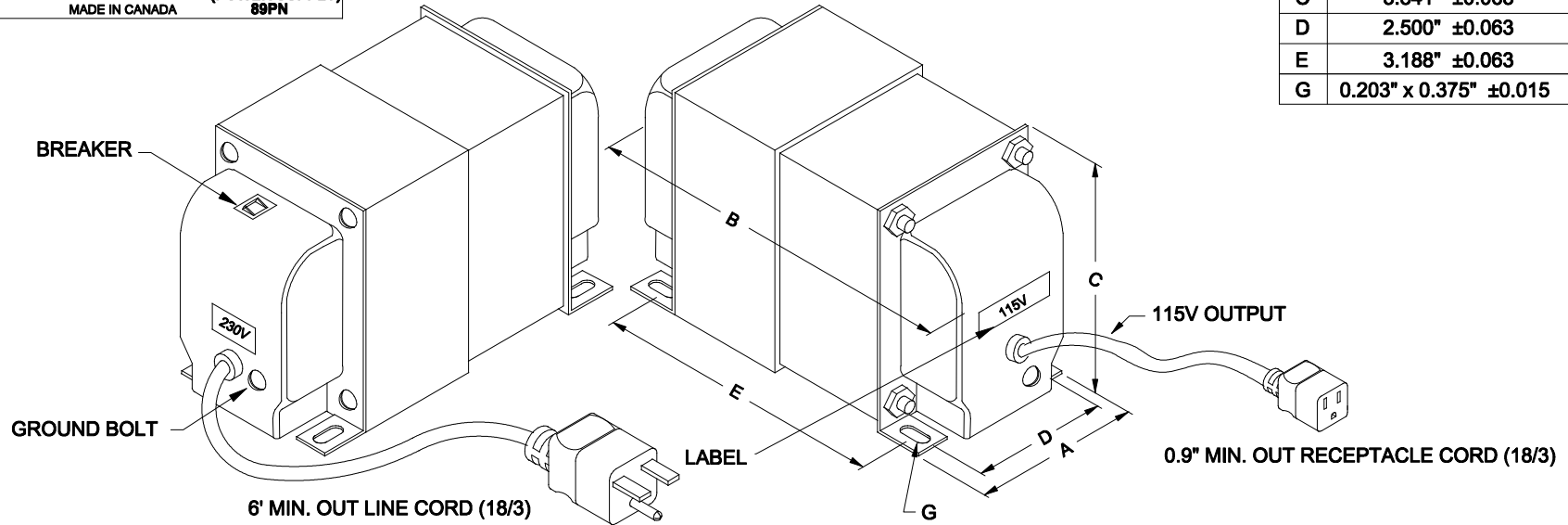

HAMMOND MANUFACTURING AUTO TRANSFORMER
175B-NA
 INPUT 230V 50/60Hz 200VA
 OUTPUT 115V 1.75A
 DATE _____ MADE IN CANADA


 LISTED
 (POWER SUPPLY)
 89PN

DIMENSIONS:


A	3.156" ±0.063
B	4.436" ±0.125
C	3.841" ±0.063
D	2.500" ±0.063
E	3.188" ±0.063
G	0.203" x 0.375" ±0.015



ELECTRICAL DATA:

TESTS	CONDITIONS	ACCEPTANCE CRITERIA
Iex	@ 230V, 60Hz, TO CORD PLUG	290mA MAX.
Sec. N.L.V	@ 230V, 60Hz, TO CORD PLUG	
	RECEPTACLE PLUG =	118.0V ±2%
DCR	@ 20°C, TO CORD PLUG =	5.930 Ω ±20%
	@ 20°C, RECEPTACLE PLUG =	2.980 Ω ±20%
HIPOT	PRIMARY - SECONDARY	2000V, 60Hz, 1 SEC

REV.NO.	REVISION	DATE
0	RELEASED. C.I.	10/13/15


Hammond Electronics Waterloo, Ontario Canada

DWG. BY: C. ILIE DATE: 10/13/15 CHK'D BY: APP'D. BY:	TITLE: AUTO-TRANSFORMER STEP UP - PLUG IN	175B-NA SH 1 OF 1
---	--	-----------------------------