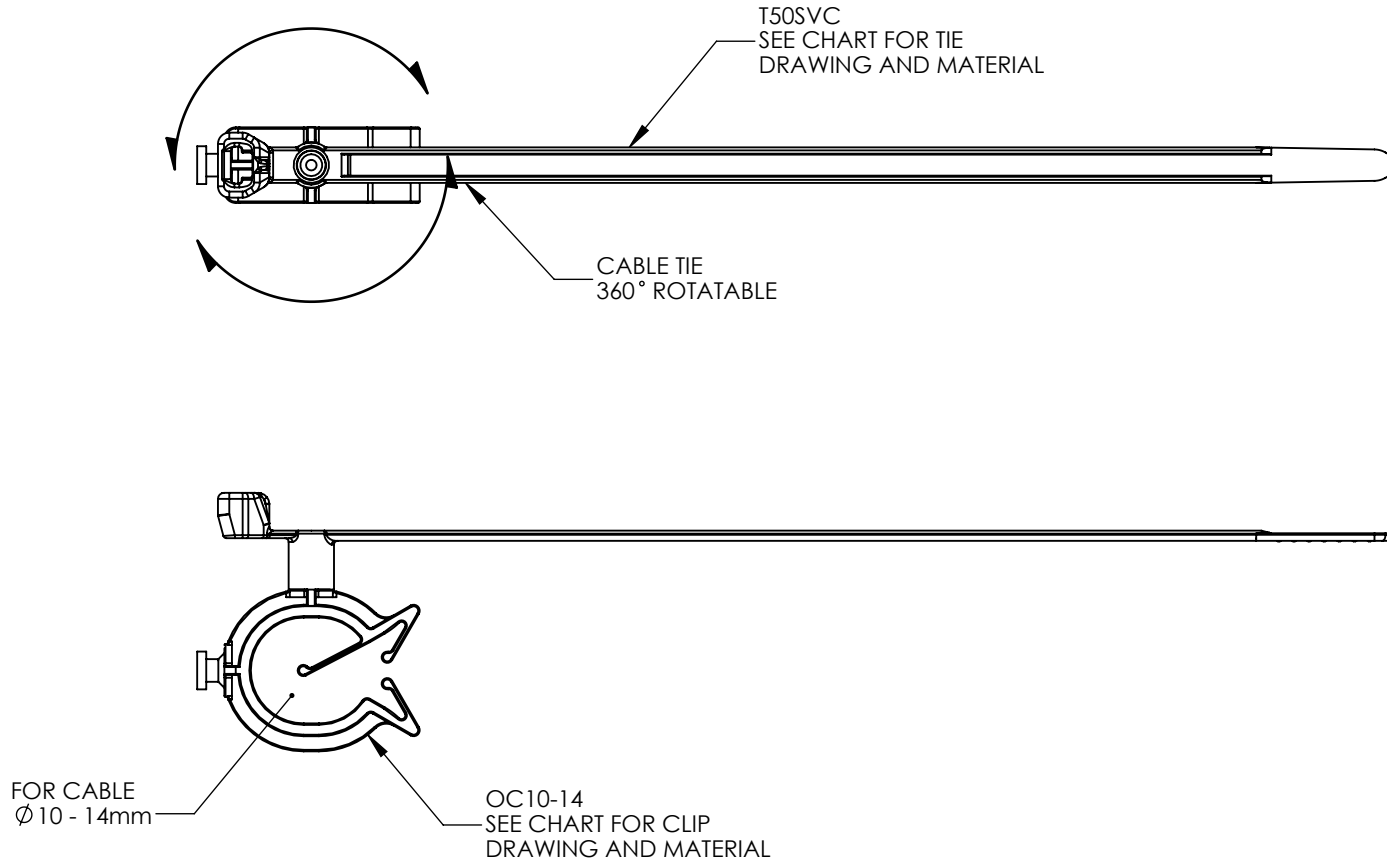


SW2011



Revision level			Revision Record	Changed	Date	Approved	Date
Drawing	State	Part					
06.2	Design Release	-	SEE ECN# 012883	AAC	10/24/14	KAC	10/24/14



TYPE	BUNDLE DIAMETER	CABLE TIE		CLIP	
		MATERIAL	DRAWING	MATERIAL	DRAWING
T50SVCOC10-14	2 to 35	PA66HS	14-0606-001-CSU	PA66IMHS	05-0044-002-CSU

Material  
SEE CHART

Units: **millimeters**  
 Dimension without tolerances details to:  
 .xxx = ±.013  
 .xx = ±.13  
 .x = ±.3  
 None = ±.8  
 < = ±0.5°  
 Dimension Formatted mm/[in]

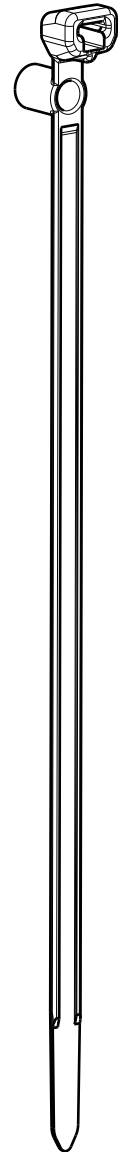
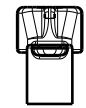
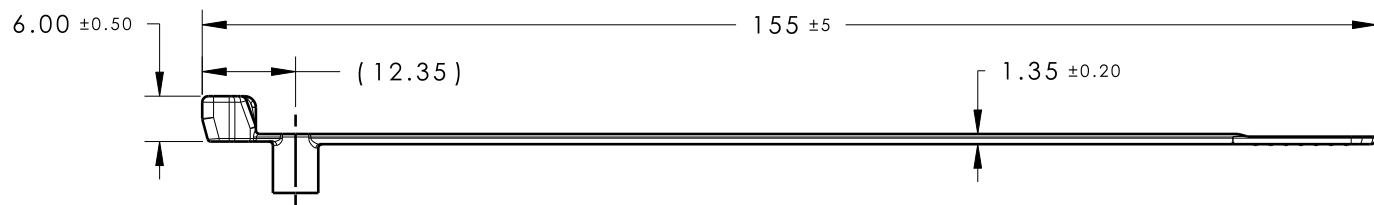
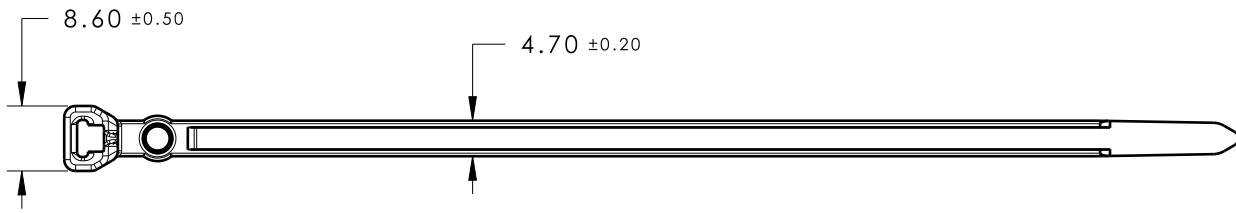
The copyright of this drawing is reserved by HellermannTyton. It is issued on condition that it is not reproduced, copied, or disclosed to a third party, either wholly or in part, without the consent of HellermannTyton.

Drawn	AAC	10/24/14
Approved	KAC	10/24/14
<b>HellermannTyton</b>		
North America Email: corp@htamericas.com Web: www.hellermann.tyton.com		

Article/Type-No	T50SVCOC10-14
Title	<b>T50SVCOC10-14 T50SVC CABLE TIE WITH OMEGA CLIP 10-14</b>
Drawing-No	<b>05-0044-004-CSU</b>
Production : Phase	

Scale 1:1  
 Project Number PRP 05-044  
 Format AH  
 Sheet 1/1

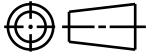
Revision Level			Revision Record	Changed	Date	Approved	Date
Drawing	State	Part					
00.1	Design Release	B	SEE ECN# 012925	CJR	2/10/15	SJA	2/10/15



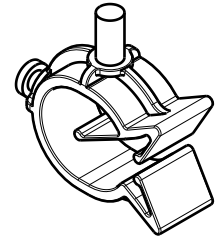
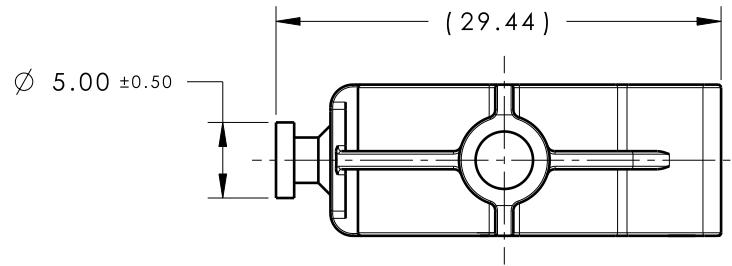
REFERENCE:  
 PERFORMANCE REQUIREMENTS:  
 1. CABLE TIE MIN LOOP TENSILE STRENGTH: 225 NEWTONS (50 LBS)  
 2. BUNDLE RANGE: 2.0mm TO 35mm

Material PA66HS COLOR: BLACK	Units <b>millimeters</b>	The copyright of this drawing is reserved by HellermannTyton. It is issued on condition that it is not reproduced, copied or disclosed to a third party, either wholly or in part, without the consent of HellermannTyton.	Drawn    CJR    2/10/15	Article/Type-No    T50SVC	Scale    1:1	
	Tolerance defined on each dimension		Approved    SJA    2/10/15	Title T50SVC - SWIVEL CABLE TIE	Project Number 14-0606	
			 North America Email: corp@htamericas.com Web: www.hellermann.tyton.com		Drawing-No    PRODUCTION : Phase	Format    AH
					<b>14-0606-001-CSU</b>	

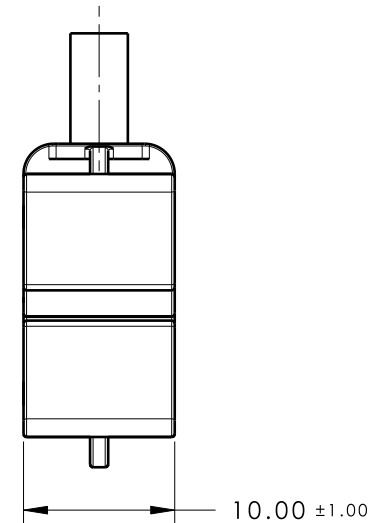
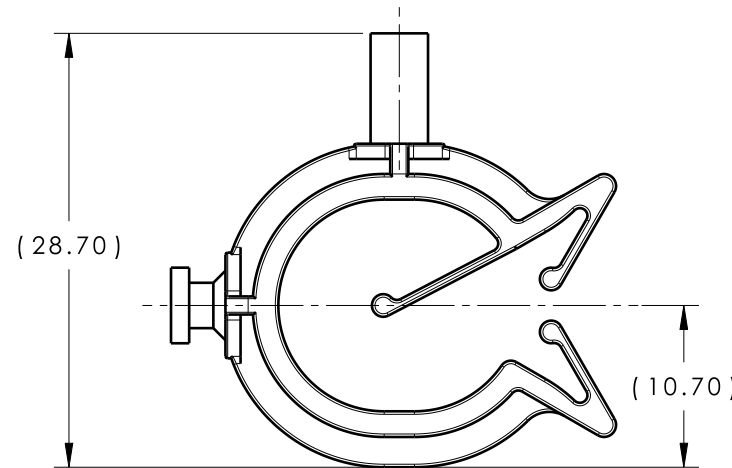
CATIA V5



Revision Level		Revision Record	Changed	Date	Approved	Date
Drawing	Part					
00	A	SEE ECN# 012334	KVH	4/4/13	MHT	4/4/13



ISOMETRIC VIEW  
SCALE 1:1



REFERENCE:  
1. BUNDLE RANGE: 10.0mm TO 14.0mm

Material PA66HS COLOR: BLACK	Units <b>millimeters</b>	The copyright of this drawing is reserved by HellermannTyton. It is issued on condition that it is not reproduced, copied or disclosed to a third party, either wholly or in part, without the consent of HellermannTyton.	Drawn    KVH    4/4/13	Article/Type-No    OC10-14	Scale    2:1		
	Tolerance defined on each dimension		Approved    MHT    4/4/13	Title    RETAINER 10-14 SVC	Project Number    NT-044-05		
			<b>HellermannTyton</b>			Drawing-No    PRODUCTION : Phase	Format    AH
			North America Email: corp@htamericas.com Web: www.hellermann.tyton.com			<b>05-0044-002-CSU</b>	Sheet    1/1

**Product Number**  
**Cross Reference Record**

Uncontrolled Document

<b>Type Number</b>	<b>UNS Universal Number System</b>	<b>Customer Part Number</b>	<b>Color</b>
T50SVCOC1014	156-01337		BLACK

Issued By:

Reference Drawing Number:

Issue Date:

05-004-004-CSU

March 10, 2016