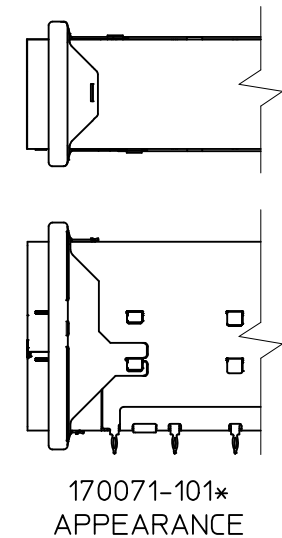
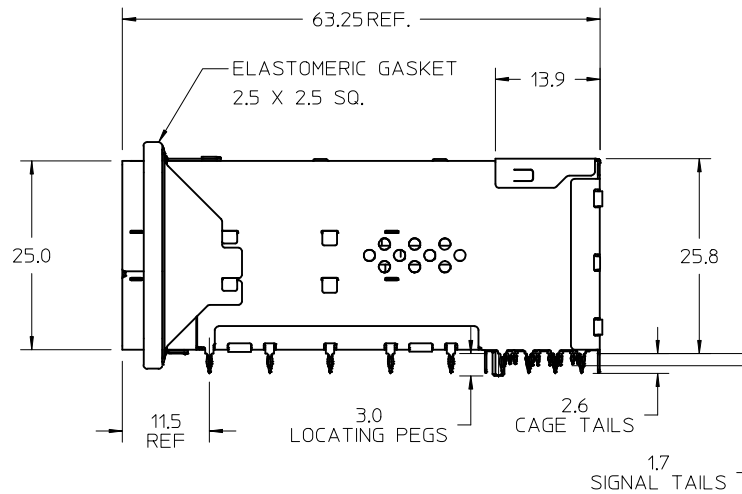


NUMBER OF PORTS	PART NUMBER	DIM X	DIM Y
2X1	170071101*	14.50	15.10
2X2	170071201*	28.75	29.35
2X4	170071401*	57.25	57.85
2X6	170071601*	85.75	86.35
2X8	170071801*	114.25	114.85
2X12	170071121*	171.25	171.85

*-DESIGNATES LIGHT PIPE CONFIGURATIONS, SEE SHEET 2

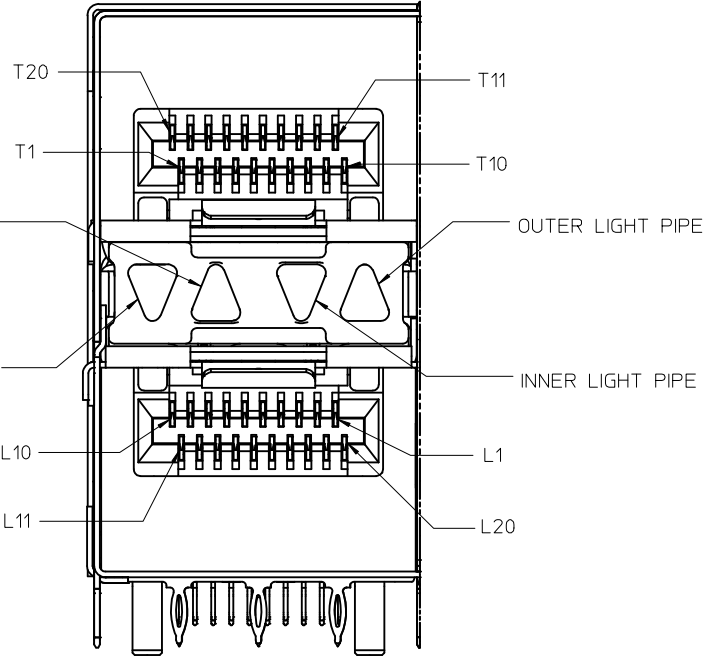
NOTES:

- MATERIAL:
 - CAGE: NICKEL SILVER
 - CONNECTOR HOUSING: GLASS FILLED THERMOPLASTIC, UL: 94V-0, COLOR: BLACK
 - LIGHT PIPES: POLYCARBONATE, 94 HB, COLOR: CLEAR
 - TERMINALS: HIGH PERFORMANCE COPPER ALLOY
 - FRONT SHIELD WALL: COPPER ALLOY
 - LIGHT PIPE HOUSING: ZINC ALLOY
 - ELASTOMERIC GASKET: SILVER IMPREGNATED SILICONE
- FINISH
 - TERMINALS: CONTACT AREA: 0.76 μm MIN. HARD GOLD OVER 3.8 μm MIN. NICKEL.
 - COMPLIANT TAIL: 0.7-1.5 μm MATTE TIN OVER 0.7-1.5 μm NICKEL
 - FRONT SHIELD WALL: 0.7-1.5 μm NICKEL OVERALL
 - LIGHT PIPE HOUSING: 2.0 μm NICKEL OVER 0.7 μm COPPER
- 2X4 CONFIGURATION SHOWN FOR REFERENCE, SEE CHART FOR AVAILABLE OPTIONS
- REFER TO PS-170071-0001 FOR ALL ELECTRICAL, MECHANICAL AND ENVIRONMENTAL SPECIFICATIONS.
- REFER TO AS-170071-0001 FOR CONNECTOR MOUNTING AND REWORK INFORMATION.
- REFER TO AS-170071-0002 FOR PCB ROUTING RECOMMENDATIONS.
- ALL VISIBLE EXTERIOR SURFACES TO BE CLASS "B" (BOTTOM OF CONNECTOR IS CLASS "C") CAGE SURFACES TO CONFORM TO THE MOLEX COSMETIC DOC PS-45499-002.

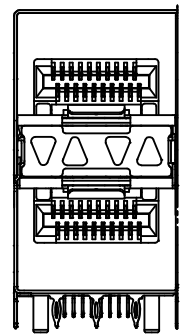


170071-40** SHOWN FOR REFERENCE
APPEARANCE MAY VARY WITH SIZE

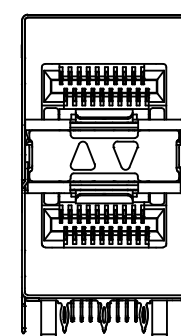
ADD APPEARANCE VIEWS EC NO: UCP2016-3736 DRWNS:VANG01 2016/03/24 CHKD:BBARKER 2016/03/24 APPR:SMILLER 2016/08/15	QUALITY SYMBOLS ∇=0 ∇=0 ∇=0	GENERAL TOLERANCES (UNLESS SPECIFIED)		DIMENSION STYLE MM ONLY		SCALE 2:1	DESIGN UNITS METRIC	THIRD ANGLE PROJECTION
		mm	INCH	DRAWN BY JGONZALEZ01	DATE 2010/06/09	TITLE ZSFP+ STACKED ASSY WITH LIGHT PIPES AND ELASTOMERIC GASKET		
		4 PLACES ± ---	± ---	CHECKED BY JKACHLIC	DATE 2010/06/09	molex DOCUMENT NO. SD-170071-0002		
		3 PLACES ± ---	± ---	APPROVED BY MBANAKIS	DATE 2010/11/17		SHEET NO. 1 OF 4	
ANGULAR ±1/2°		DRAFT WHERE APPLICABLE MUST REMAIN WITHIN DIMENSIONS		SEE CHART		THIS DRAWING CONTAINS INFORMATION THAT IS PROPRIETARY TO MOLEX INCORPORATED AND SHOULD NOT BE USED WITHOUT WRITTEN PERMISSION		



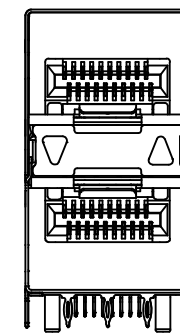
Partial4
SCALE 6:1



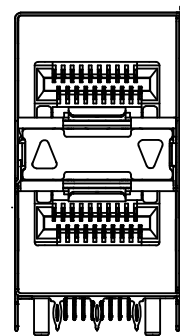
4 LIGHT PIPE
170071-**11



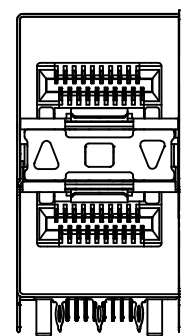
INNER LIGHT PIPE
170071-**12



OUTER DOWN/UP
170071-**13



OUTER UP/DOWN
170071-**14

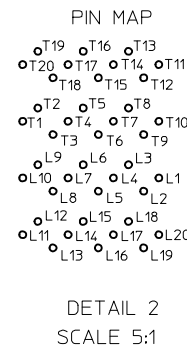
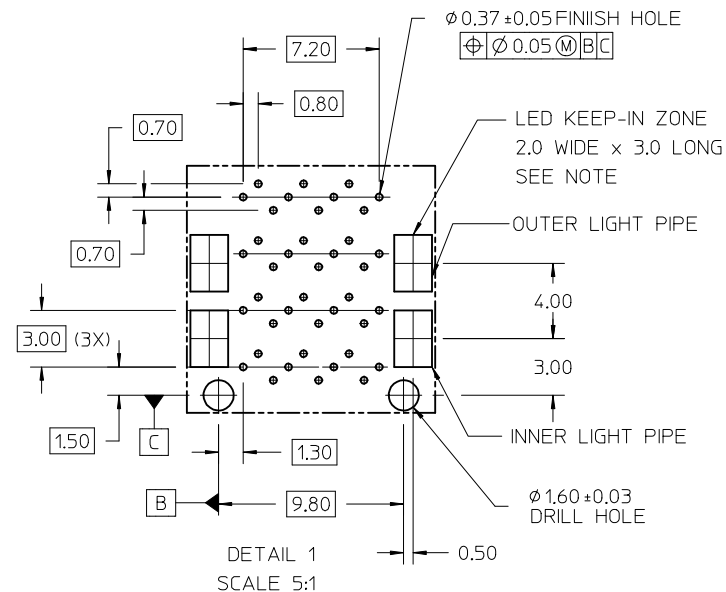
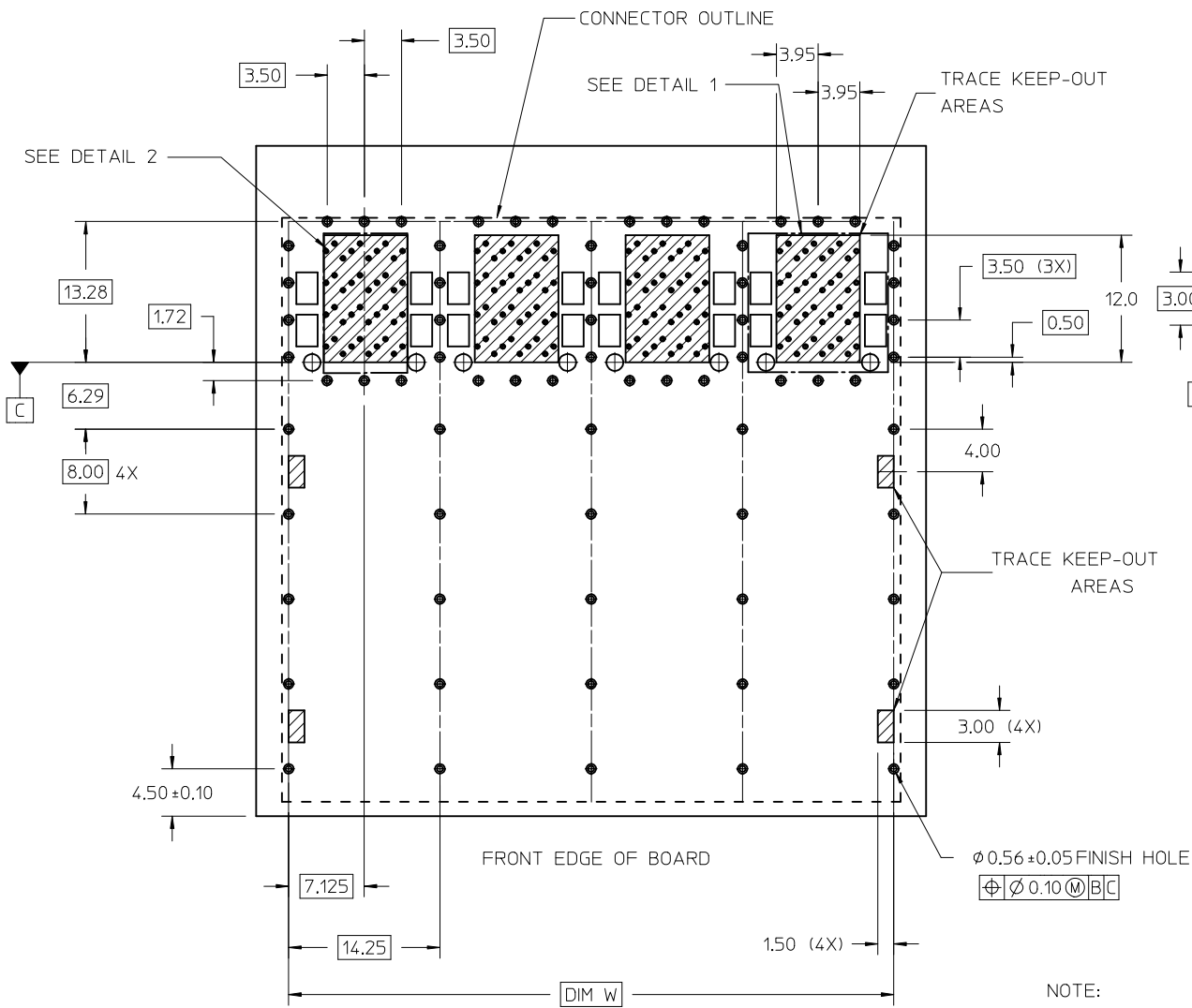


3 LIGHT PIPE
UP / MIDDLE / DOWN
170071-**15

PART NUMBER	DESCRIPTION
170071-**11	4 LIGHT PIPES
170071-**12	INNER 2 PORTS
170071-**13	OUTER DOWN/UP
170071-**14	OUTER UP/DOWN
170071-**15	3 LIGHT PIPES

** - DESIGNATES PORT SIZE

SEE SHEET 1 EC NO: UCP2016-3736 DRWNS:VANG01 2016/03/24 CHKD:BBARKER 2016/03/24 APPR:SMILLER 2016/08/15	QUALITY SYMBOLS	GENERAL TOLERANCES (UNLESS SPECIFIED)	DIMENSION STYLE MM ONLY	SCALE 3:1	DESIGN UNITS METRIC	THIRD ANGLE PROJECTION
	▽=0	mm INCH	DRAWN BY DATE JGONZALEZ01 2010/06/09	TITLE	ZSFP+ STACKED ASSY WITH LIGHT PIPES AND ELASTOMERIC GASKET molex	
	▽=0	4 PLACES ± --- ± ---	CHECKED BY DATE JKACHLIC 2010/06/09	APPROVED BY DATE MBANAKIS 2010/11/17		
	▽=0	3 PLACES ± --- ± ---	ANGULAR ±1/2°	MATERIAL NO.	DOCUMENT NO.	SHEET NO.
	2 PLACES ± 0.13 ± ---	DRAFT WHERE APPLICABLE MUST REMAIN WITHIN DIMENSIONS	SEE CHART	SD-170071-0002	2 OF 4	
	1 PLACE ± 0.25 ± ---		SIZE C	THIS DRAWING CONTAINS INFORMATION THAT IS PROPRIETARY TO MOLEX INCORPORATED AND SHOULD NOT BE USED WITHOUT WRITTEN PERMISSION		
	0 PLACE ± ±					

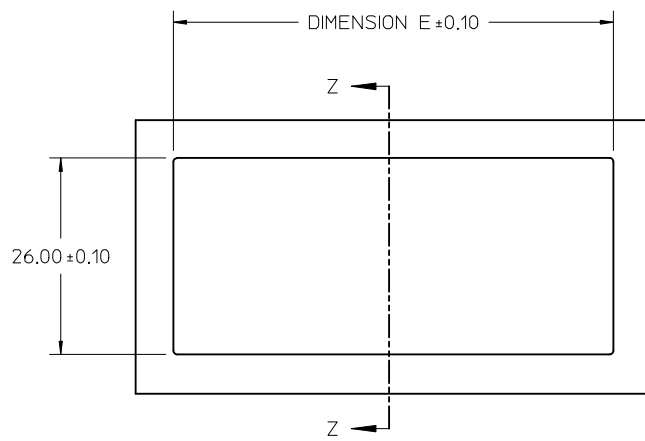


NOTE:
LED PACKAGE SIZE AND POSITION SHALL NOT VIOLATE THE KEEP IN ZONE.
LED PLACEMENT SHOULD BE CENTERED WITHIN THE ZONE FOR OPTIMAL
LIGHT TRANSMISSION BUT MAY BE SAFELY OFFSET ±0.50

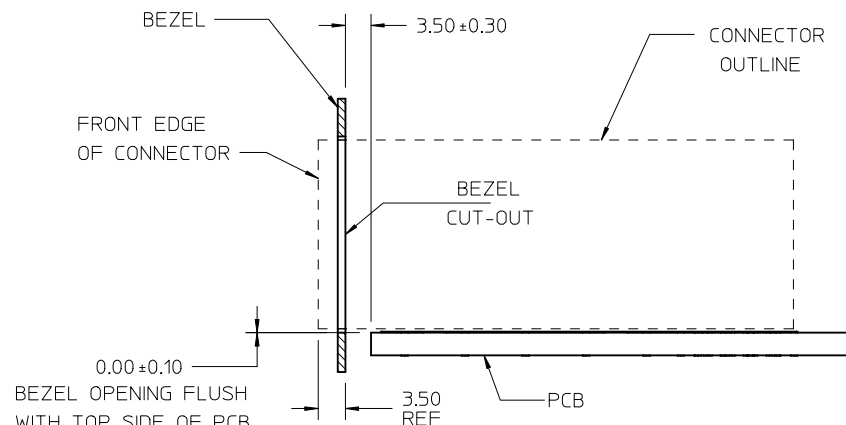
PORT SIZE	DIM "W"	HOLE CHART		
		SIGNALS ($\varnothing 0.37$)	EMI CAGE ($\varnothing 0.56$)	LOCATING PEG ($\varnothing 1.60$)
2X1	14.25	40	24	2
2X2	28.50	80	39	4
2X4	57.00	160	69	8
2X6	85.50	240	99	12
2X8	114.00	320	129	16
2X12	171.00	480	189	24

SEE SHEET 1 EC NO: UCP2016-3736 DRWNSVANG01 2016/03/24 CHKD:BBARKER 2016/03/24 APPR:SMILLER 2016/08/15	QUALITY SYMBOLS $\nabla = 0$ $\nabla = 0$ $\nabla = 0$	GENERAL TOLERANCES (UNLESS SPECIFIED)		DIMENSION STYLE MM ONLY	SCALE 3:1	DESIGN UNITS METRIC	THIRD ANGLE PROJECTION	
		4 PLACES ± --- ± --- 3 PLACES ± --- ± --- 2 PLACES ± 0.13 ± --- 1 PLACE ± 0.25 ± --- 0 PLACE ± ±		DRAWN BY JGONZALEZ01	DATE 2010/06/09	TITLE ZSFP+ STACKED ASSY WITH LIGHT PIPES AND ELASTOMERIC GASKET		
		ANGULAR ±1/2°		CHECKED BY JKACHLIC	DATE 2010/06/09	molex		
		DRAFT WHERE APPLICABLE MUST REMAIN WITHIN DIMENSIONS		APPROVED BY MBANAKIS	DATE 2010/11/17	MATERIAL NO. SEE CHART	DOCUMENT NO. SD-170071-0002	SHEET NO. 3 OF 4

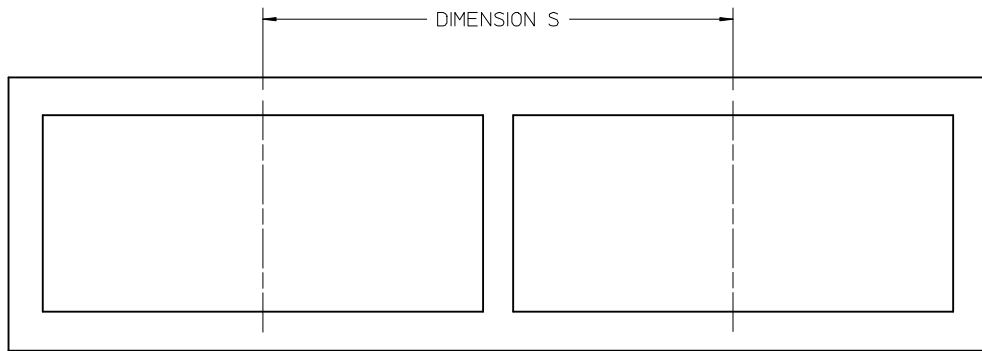
THIS DRAWING CONTAINS INFORMATION THAT IS PROPRIETARY TO MOLEX INCORPORATED AND SHOULD NOT BE USED WITHOUT WRITTEN PERMISSION



BEZEL CUT-OUT DETAIL
BEZEL THICKNESS 0.8-2.6



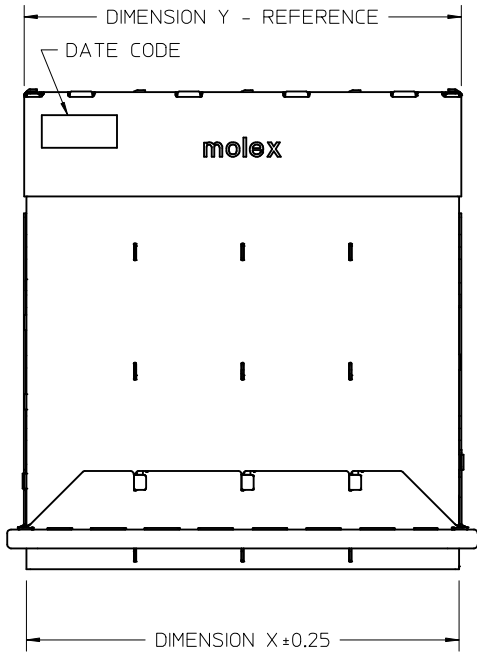
SECTION Z-Z



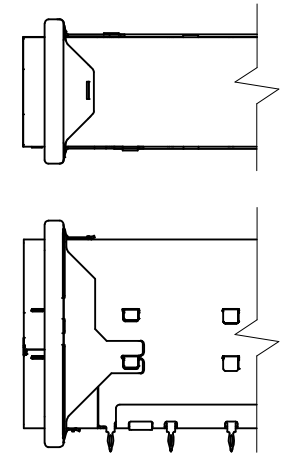
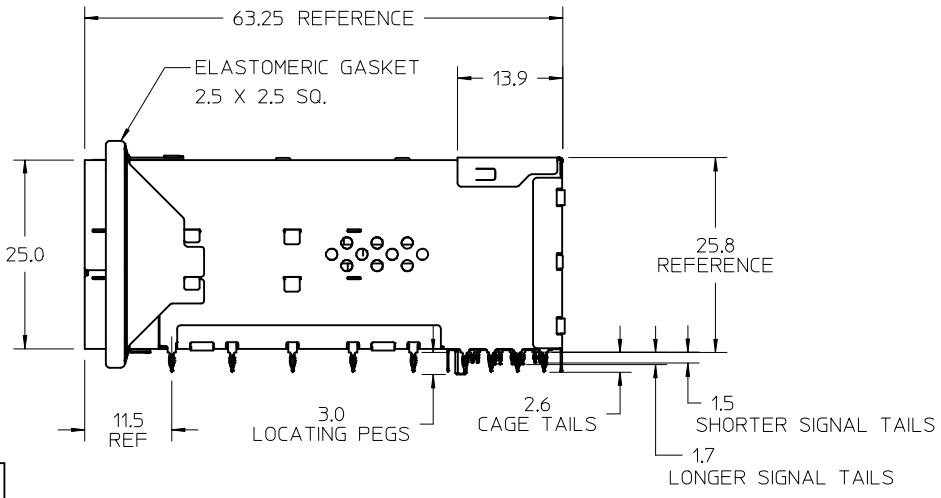
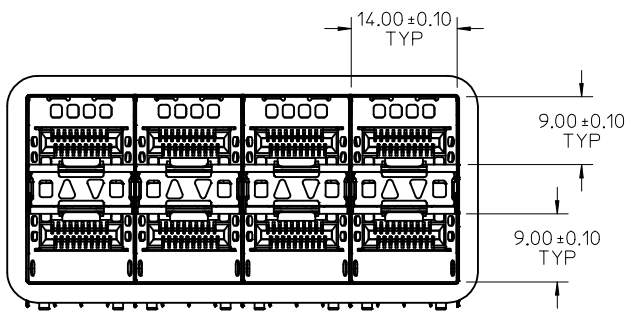
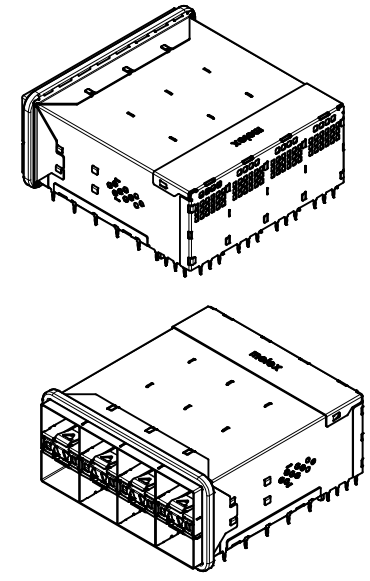
BEZEL CUT-OUT FOR
CONNECTOR STACKING

CONFIGURATION	DIM 'E'	DIM 'S'
2X1	15.50	20.40 MINIMUM
2X2	29.75	34.65 MINIMUM
2X4	58.25	63.15 MINIMUM
2X5	72.50	77.40 MINIMUM
2X6	86.75	91.65 MINIMUM
2X8	115.25	120.15 MINIMUM
2X12	172.25	177.15 MINIMUM

SEE SHEET 1 EC NO: UCP2016-3736 DRWNS:VANG01 2016/03/24 CHKD:BBARKER 2016/03/24 APPR:SMILLER 2016/08/15	QUALITY SYMBOLS	GENERAL TOLERANCES (UNLESS SPECIFIED)	DIMENSION STYLE	SCALE	DESIGN UNITS	THIRD ANGLE PROJECTION
	▽=0	mm INCH	MM ONLY	2:1	METRIC	
	▽=0	4 PLACES ± --- ± ---	DRAWN BY DATE	ZSFP+ STACKED ASSY WITH LIGHT PIPES AND ELASTOMERIC GASKET 		
	▽=0	3 PLACES ± --- ± ---	JGONZALEZ01 2010/06/09			
	2 PLACES ± 0.13 ± ---	CHECKED BY DATE				
	1 PLACE ± 0.25 ± ---	JKACHLIC 2010/06/09				
	0 PLACE ± ±	APPROVED BY DATE	MBANAKIS 2010/11/17	DOCUMENT NO. SD-170071-0002		
		ANGULAR ±1/2°	MATERIAL NO.	SHEET NO. 4 OF 4		
		DRAFT WHERE APPLICABLE MUST REMAIN WITHIN DIMENSIONS	SEE CHART	THIS DRAWING CONTAINS INFORMATION THAT IS PROPRIETARY TO MOLEX INCORPORATED AND SHOULD NOT BE USED WITHOUT WRITTEN PERMISSION		



- NOTES:
- MATERIAL:
 - CAGE: NICKEL SILVER
 - CONNECTOR HOUSING: GLASS FILLED THERMOPLASTIC, UL: 94V-0, COLOR: BLACK
 - LIGHT PIPES: POLYCARBONATE, 94 HB, COLOR: CLEAR
 - TERMINALS: HIGH PERFORMANCE COPPER ALLOY
 - FRONT SHIELD WALL: COPPER ALLOY
 - LIGHT PIPE HOUSING: ZINC ALLOY
 - ELASTOMERIC GASKET: SILVER IMPREGNATED SILICONE
 - FINISH
 - TERMINALS: CONTACT AREA: 0.76 MICROMETER MINIMUM HARD GOLD OVER NICKEL.
 - COMPLIANT TAIL: 0.7-1.5 MICROMETER MATTE TIN OVER NICKEL
 - FRONT SHIELD WALL: 0.7-1.5 MICROMETER NICKEL OVERALL
 - LIGHT PIPE HOUSING: NICKEL OVER COPPER
 - 2X4 CONFIGURATION SHOWN FOR REFERENCE, SEE CHART FOR AVAILABLE OPTIONS
 - REFER TO PS-170071-0001 FOR ALL ELECTRICAL, MECHANICAL AND ENVIRONMENTAL SPECIFICATIONS.
 - REFER TO AS-170071-0001 FOR CONNECTOR MOUNTING AND REWORK INFORMATION.
 - REFER TO AS-170071-0002 FOR PCB ROUTING RECOMMENDATIONS.
 - ALL VISIBLE EXTERIOR SURFACES TO BE CLASS "B" (BOTTOM OF CONNECTOR IS CLASS "C") CAGE SURFACES TO CONFORM TO THE MOLEX COSMETIC DOC PS-45499-002.



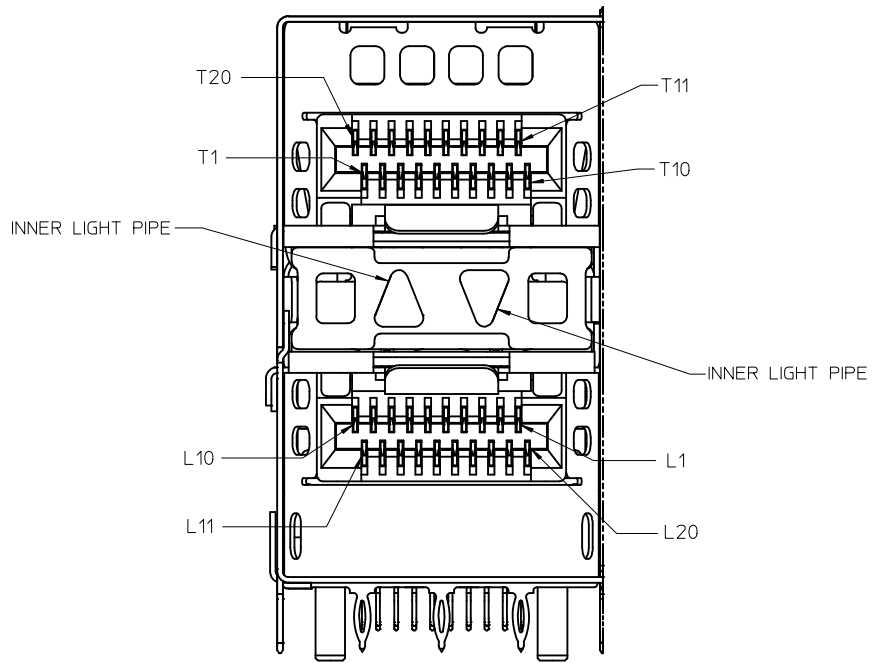
NUMBER OF PORTS	PART NUMBER	DIM X	DIM Y
2X1	170071108*	14.50	15.10
2X2	170071208*	28.75	29.35
2X4	170071408*	57.25	57.85
2X6	170071608*	85.75	86.35
2X8	170071808*	114.25	114.85
2X12	170071128*	171.25	171.85

170071-408* SHOWN FOR REFERENCE

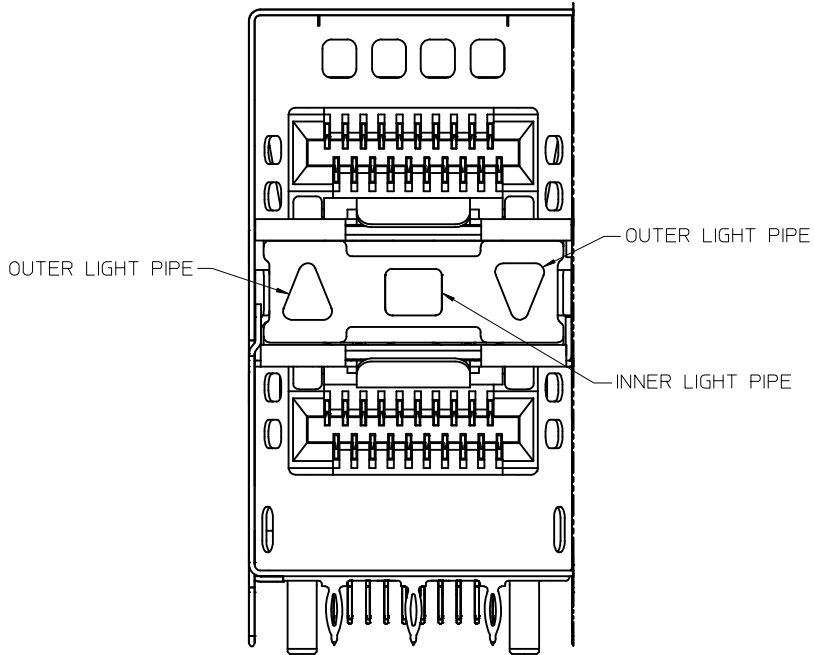
170071-108* APPEARANCE

*-DESIGNATES LIGHT PIPE CONFIGURATIONS, SEE SHEET 2

ADDED GENERAL TOL EC NO: UCP2016-3736 DRW:MKP/EGONDA 2016/07/25 CHKD: APPR:SMILLER 2016/08/15 REV	QUALITY SYMBOLS	GENERAL TOLERANCES (UNLESS SPECIFIED)	DIMENSION STYLE MM ONLY	SCALE 2:1	DESIGN UNITS METRIC	THIRD ANGLE PROJECTION
	▽=0	mm INCH	DRAWN BY DATE BBARKER 2016/01/13	ZSFP+ STACKED ASSY LIGHT PIPES, ELAST GASKT VENTED CAGE BACK COVER molex DOCUMENT NO. SD-170071-0005 SHEET NO. 1 OF 4		
	▽=0	4 PLACES ± --- ± ---	CHECKED BY DATE BBARKER 2016/02/26			
	▽=0	3 PLACES ± --- ± ---	APPROVED BY DATE SMILLER 2016/03/09			
▽=0	2 PLACES ± 0.13 ± ---	MATERIAL NO. SEE CHART				
		0 PLACE ± ±	ANGULAR ±1/2°	THIS DRAWING CONTAINS INFORMATION THAT IS PROPRIETARY TO MOLEX INCORPORATED AND SHOULD NOT BE USED WITHOUT WRITTEN PERMISSION		



INNER LIGHT PIPE
170071-**-82



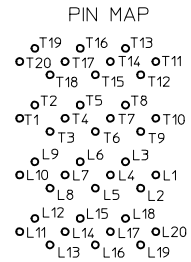
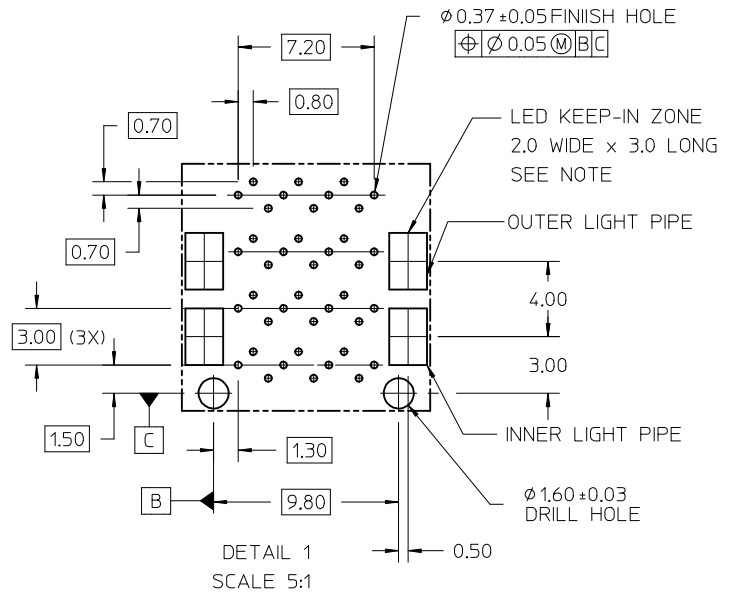
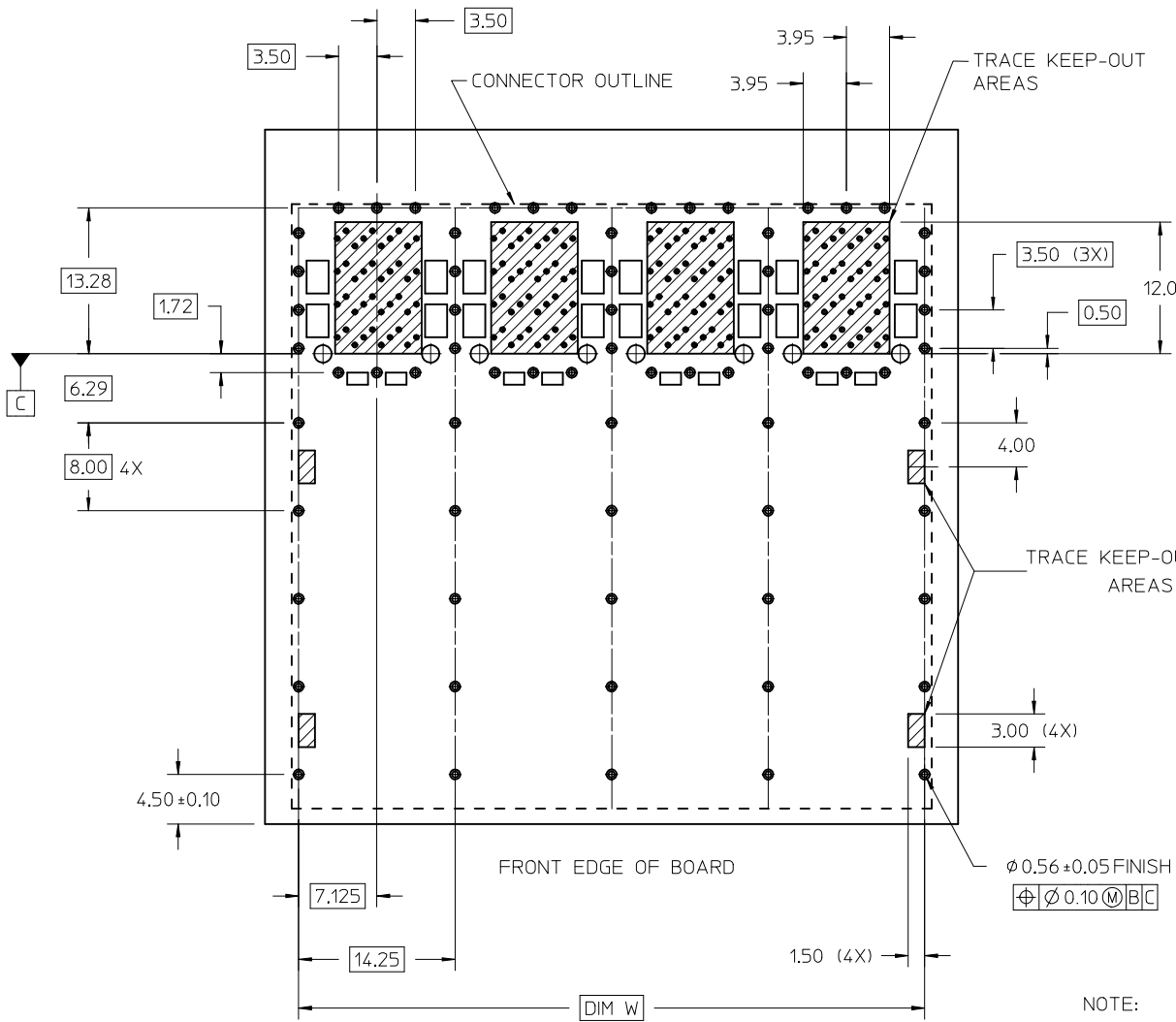
3 LIGHT PIPE
UP / MIDDLE / DOWN
170071-**-85

SEE PCB LAYOUT FOR
INNER AND OUTER LIGHT PIPE
EXIT LOCATIONS

PART NUMBER	DESCRIPTION
170071-**-82	INNER 2 PORTS
170071-**-85	3 LIGHT PIPES

** - DESIGNATES PORT SIZE

SEE SHEET 1 EC NO: UCP2016-3736 DRW:MKW/PEGONDA 2016/07/25 CHKD: APPR:SMILLER 2016/08/15	QUALITY SYMBOLS	GENERAL TOLERANCES (UNLESS SPECIFIED)	DIMENSION STYLE	SCALE	DESIGN UNITS	THIRD ANGLE PROJECTION
	▽=0	mm INCH	MM ONLY	3:1	METRIC	☉
	▽=0	4 PLACES ± --- ± ---	DRAWN BY DATE	TITLE		
	▽=0	3 PLACES ± --- ± ---	BBARKER 2016/01/13	ZSFP+ STACKED ASSY		
	▽=0	2 PLACES ± 0.13 ± ---	CHECKED BY DATE	LIGHT PIPES, ELAST GASKT		
	1 PLACE ± 0.25 ± ---	BBARKER 2016/02/26	VENTED CAGE BACK COVER			
	0 PLACE ± ±	APPROVED BY DATE	molex			
		SMILLER 2016/03/09	MATERIAL NO.	DOCUMENT NO.	SHEET NO.	
			SEE TABLE	SD-170071-0005	2 OF 4	
		ANGULAR ±1/2°	THIS DRAWING CONTAINS INFORMATION THAT IS PROPRIETARY TO MOLEX INCORPORATED AND SHOULD NOT BE USED WITHOUT WRITTEN PERMISSION			
		DRAFT WHERE APPLICABLE MUST REMAIN WITHIN DIMENSIONS				

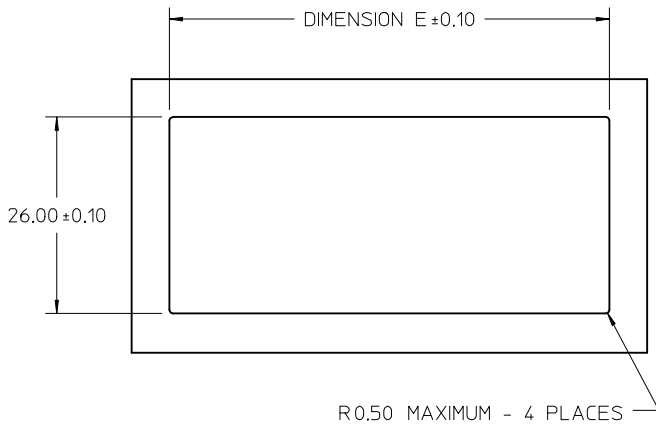


DETAIL 2
SCALE 5:1

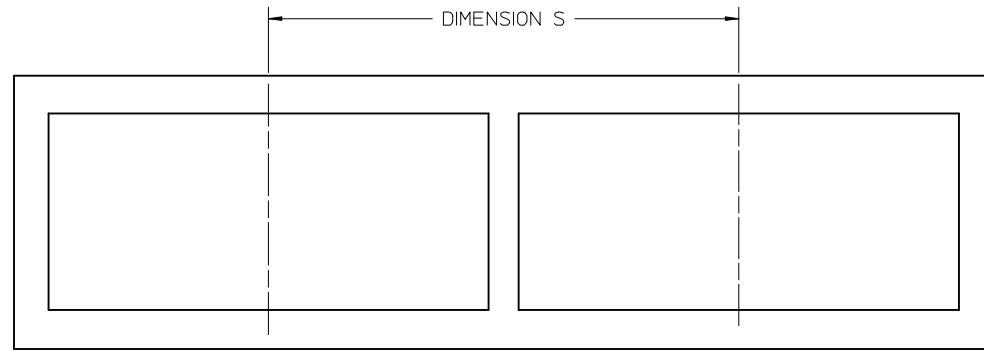
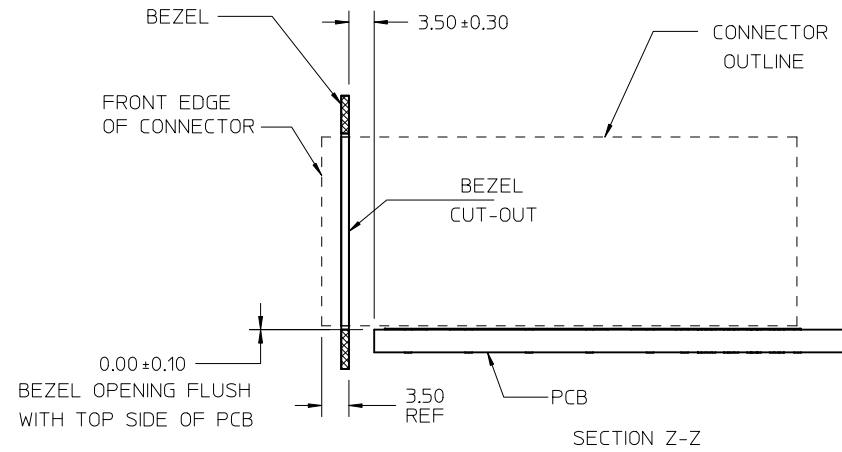
NOTE:
LED PACKAGE SIZE AND POSITION SHALL NOT VIOLATE THE KEEP IN ZONE.
LED PLACEMENT SHOULD BE CENTERED WITHIN THE ZONE FOR OPTIMAL
LIGHT TRANSMISSION BUT MAY BE SAFELY OFFSET ±0.50

PORT SIZE	DIM "W"	HOLE CHART		
		SIGNALS (Ø0.37)	EMI CAGE (Ø0.56)	LOCATING PEG (Ø1.60)
2X1	14.25	40	24	2
2X2	28.50	80	39	4
2X4	57.00	160	69	8
2X6	85.50	240	99	12
2X8	114.00	320	129	16
2X12	171.00	480	189	24

SEE SHEET 1 EC NO: UCP2016-3736 DRAWING REF: 2016/07/25 CHKD: MILLER APPR: SMILLER 2016/08/15	QUALITY SYMBOLS	GENERAL TOLERANCES (UNLESS SPECIFIED)	DIMENSION STYLE MM ONLY	SCALE 3:1	DESIGN UNITS METRIC	THIRD ANGLE PROJECTION
	▽=0	4 PLACES ± ---	mm	DRAWN BY BBARKER	DATE 2016/01/13	ZSFP+ STACKED ASSY LIGHT PIPES, ELAST GASKT VENTED CAGE BACK COVER molex DOCUMENT NO. SD-170071-0005 SHEET NO. 3 OF 4
	▽=0	3 PLACES ± ---	INCH	CHECKED BY BBARKER	DATE 2016/02/26	
	▽=0	2 PLACES ± 0.13		APPROVED BY SMILLER	DATE 2016/03/09	
▽=0	1 PLACE ± 0.25		MATERIAL NO.			
		0 PLACE ±				
		ANGULAR ±1/2°				
		DRAFT WHERE APPLICABLE MUST REMAIN WITHIN DIMENSIONS	SIZE C	THIS DRAWING CONTAINS INFORMATION THAT IS PROPRIETARY TO MOLEX INCORPORATED AND SHOULD NOT BE USED WITHOUT WRITTEN PERMISSION		



BEZEL CUT-OUT DETAIL
BEZEL THICKNESS 0.8 TO 2.6



BEZEL CUT-OUT CENTER SPACING DETAIL

CONFIGURATION	DIM 'E'	DIM 'S'
2X1	15.50	20.40 MINIMUM
2X2	29.75	34.65 MINIMUM
2X4	58.25	63.15 MINIMUM
2X6	86.75	91.65 MINIMUM
2X8	115.25	120.15 MINIMUM
2X12	172.25	177.15 MINIMUM

SEE SHEET 1 EC NO: UCP2016-3736 DRW: WKP/EGONDA 2016/07/25 CHKD: APPR: SMILLER 2016/08/15	QUALITY SYMBOLS	GENERAL TOLERANCES (UNLESS SPECIFIED)	DIMENSION STYLE MM ONLY	SCALE 2:1	DESIGN UNITS METRIC	THIRD ANGLE PROJECTION
	$\nabla = 0$	mm INCH	DRAWN BY DATE	TITLE	ZSFP+ STACKED ASSY LIGHT PIPES, ELAST GASKT VENTED CAGE BACK COVER molex DOCUMENT NO. SD-170071-0005 SHEET NO. 4 OF 4	
	$\nabla = 0$	4 PLACES \pm --- \pm ---	BBARKER 2016/01/13	CHECKED BY DATE		
	$\nabla = 0$	3 PLACES \pm --- \pm ---	BBARKER 2016/02/26	APPROVED BY DATE		
$\nabla = 0$	2 PLACES ± 0.13 \pm ---	SMILLER 2016/03/09	MATERIAL NO.			
		1 PLACE ± 0.25 \pm ---				
		0 PLACE \pm \pm				
		ANGULAR $\pm 1/2^\circ$				
		DRAFT WHERE APPLICABLE MUST REMAIN WITHIN DIMENSIONS	SEE TABLES			
			SIZE C	THIS DRAWING CONTAINS INFORMATION THAT IS PROPRIETARY TO MOLEX INCORPORATED AND SHOULD NOT BE USED WITHOUT WRITTEN PERMISSION		