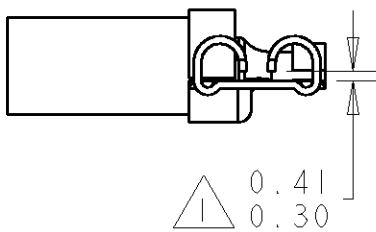
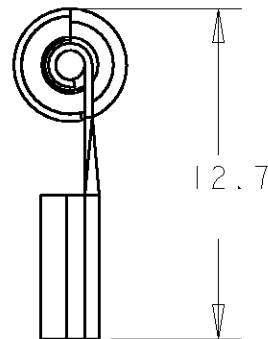
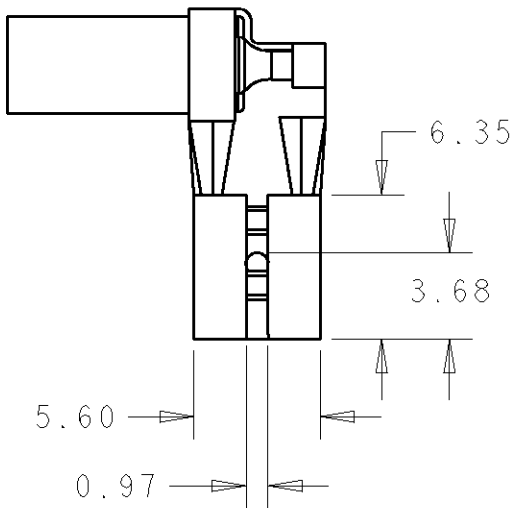


LOC	DIST	REVISIONS					
E	B	P	LTR	DESCRIPTION	DATE	DWN	APVD
			A	REDRAWN	29NOV2005	MJG	JA



NOTES:

- TO SUIT 0.5mm THICK TAB
- WIRE SIZE: 0.5 - 1.5mm<sup>2</sup>
- INSULATION DIAMETER: 2.8 - 4.3

ELECTROPLATED TIN	Ph Bz	150634-2
NONE	Ph Bz	150634-1
FINISH	MATERIAL	PART NO

THIS DRAWING IS UNPUBLISHED. BY TYCO ELECTRONICS CORPORATION. ALL RIGHTS RESERVED. COPYRIGHT 20

DIMENSIONS: mm	DWN M. GREENER	29NOV2005	MATERIAL	FINISH
	CHK J. AMBROSE	29NOV2005	Tyco Electronics Bideford, Devon. EX39 4HA	
TOLERANCES UNLESS OTHERWISE SPECIFIED:	APVD F. WHEELER-KING	29NOV2005		
	0 PLC ±.05 1 PLC ±.05 2 PLC ±.05 3 PLC ± 4 PLC ± ANGLES ±	PRODUCT SPEC 108-5067	APPLICATION SPEC -	SIZE A4
	WEIGHT		DRAWING NO C=150634	RESTRICTED TO
	CUSTOMER DRAWING		SCALE 2:1	SHEET 1
			OF 1	REV A