

SMT Current Sense Transformers



- Height: 5.1mm Max*
- Footprint: 8.4mm x 7.2mm Max
- Current Rating: up to 20A
- Frequency Range: 50kHz to 1MHz
- Lead Finish: Sn90/Pb10

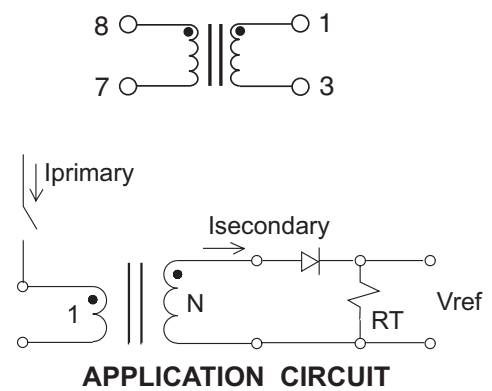
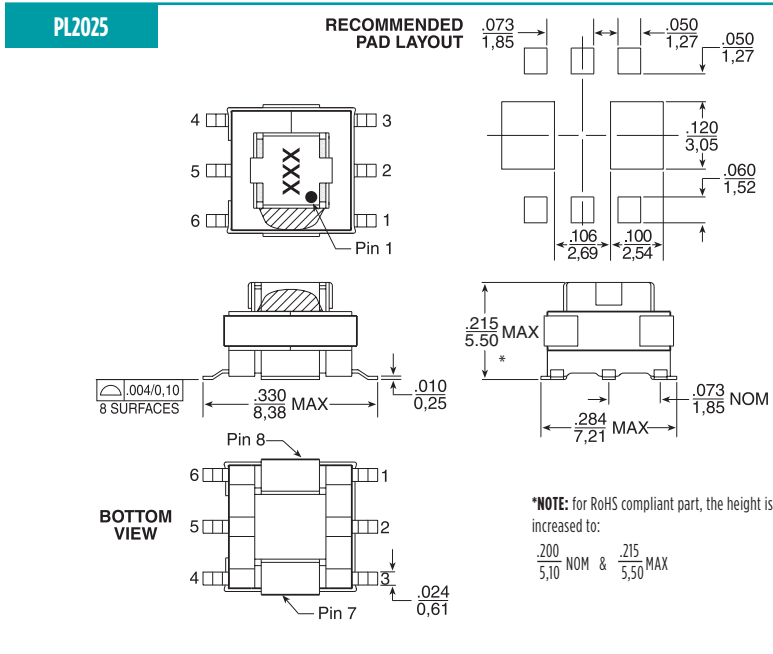
Electrical Specifications @ 25°C — Operating Temperature -40°C to +130°C

Part ⁵ Number	Turns Ratio	Current ² Rating (A)	Secondary Inductance (mH MIN)	DCR (mΩMAX)		Hipot (V _{RMS})
				Primary (8-7)	Secondary (1-3)	
PL2035	1:50	20	0.50	0.75	1500	500

- NOTES:**
- The temperature of component (ambient temperature plus temperature rise) must be within the specified operating temperature range.
 - The maximum current rating is based upon temperature rise of the component and represents the DC current which will cause a typical temperature rise of 40°C with no airflow when both one turn windings connected in parallel.
 - To calculate value of terminating resistor (Rt) use the following formula:
 $R_t (\Omega) = V_{REF} * N / (I_{peak_primary})$
 - The peak flux density of the device must remain below 2000 Gauss. To calculate the peak flux density for uni-polar current use following formula:
 $B_{pk} = 37.59 * V_{REF} * (Duty_Cycle_Max) * 10^8 / (N * Freq_kHz)$
 * for bi-polar current applications divide Bpk (as calculated above) by 2.
 - Optional Tape & Reel packaging can be ordered by adding a "T" suffix to the part number (i.e. PL2035 becomes PL2035T). Pulse complies to industry standard tape and reel specification EIA481.

Mechanical

Schematic



Weight 0.34 grams
 Tray 120/tray
 Tape & Reel 900/reel
 Coplanarity 0.004 inches

Dimensions: Inches
 mm

Unless otherwise specified, all tolerances are $\frac{3.010}{0.25}$

For More Information

Pulse North America Headquarters
 Two Pearl Buck Court
 Bristol, PA 19007
 U.S.A.

Tel: 215 781 6400
 Fax: 215 781 6403

Pulse Europe
 Zeppelinstrasse 15
 71083 Herrenberg
 Germany

Tel: 49 7032 7806 0
 Fax: 49 7032 7806 12

Pulse China HQ
 B402, Shenzhen
 Academy of Aerospace
 Technology
 10th Kejinan Road
 High-Tech Zone
 Shenzhen, PR China
 518057
 Tel: 86 755 33966678
 Fax: 86 755 33966700

Pulse North China
 Room 2704/2705
 Super Ocean Finance Ctr.
 2067 Yan An Road West
 Shanghai 200336
 China

Tel: 86 21 62787060
 Fax: 86 2162786973

Pulse South Asia
 135 Joo Seng Road
 #03-02
 PM Industrial Bldg.
 Singapore 368363

Tel: 65 6287 8998
 Fax: 65 6287 8998

Pulse North Asia
 3F No. 198, Zhongyuan
 Road
 Zhongli City
 Taoyuan County (32068)
 Taiwan

Tel: 886 3 4356768
 Fax: 886 3 4356823

Performance warranty of products offered on this data sheet is limited to the parameters specified. Data is subject to change without notice. Other brand and product names mentioned herein may be trademarks or registered trademarks of their respective owners. © Copyright, 2012. Pulse Electronics, Inc. All rights reserved.