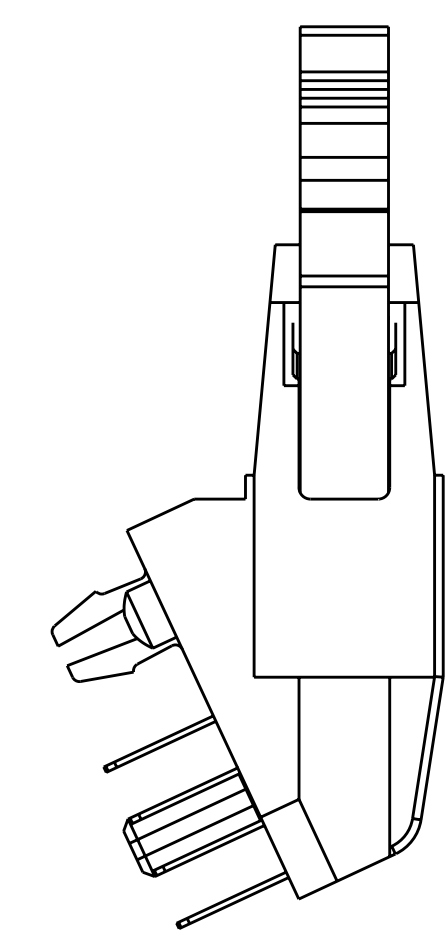
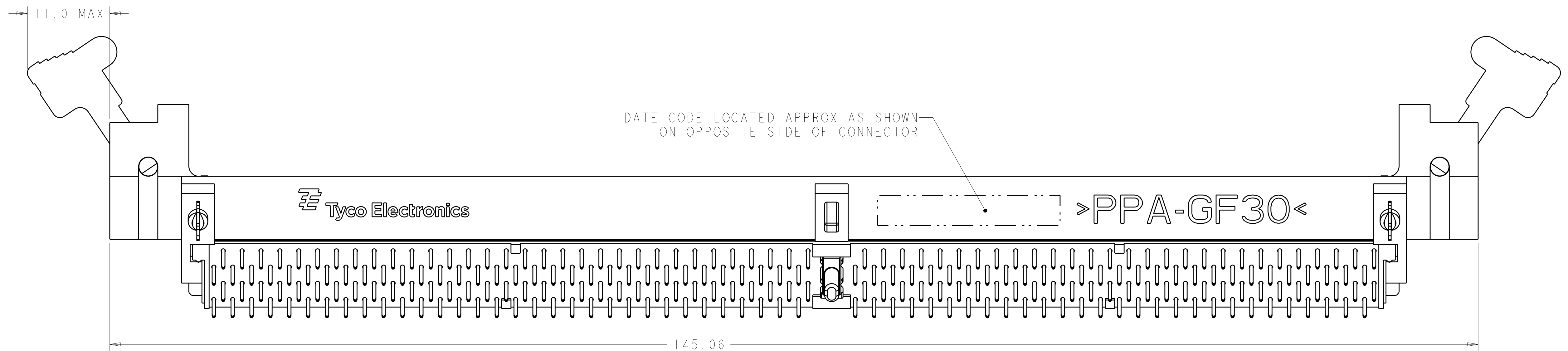
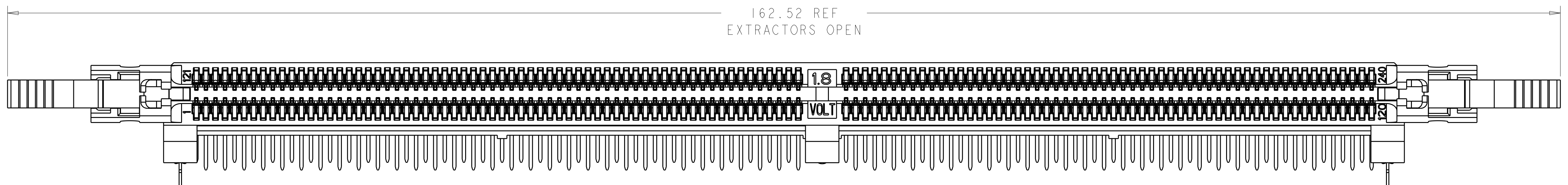
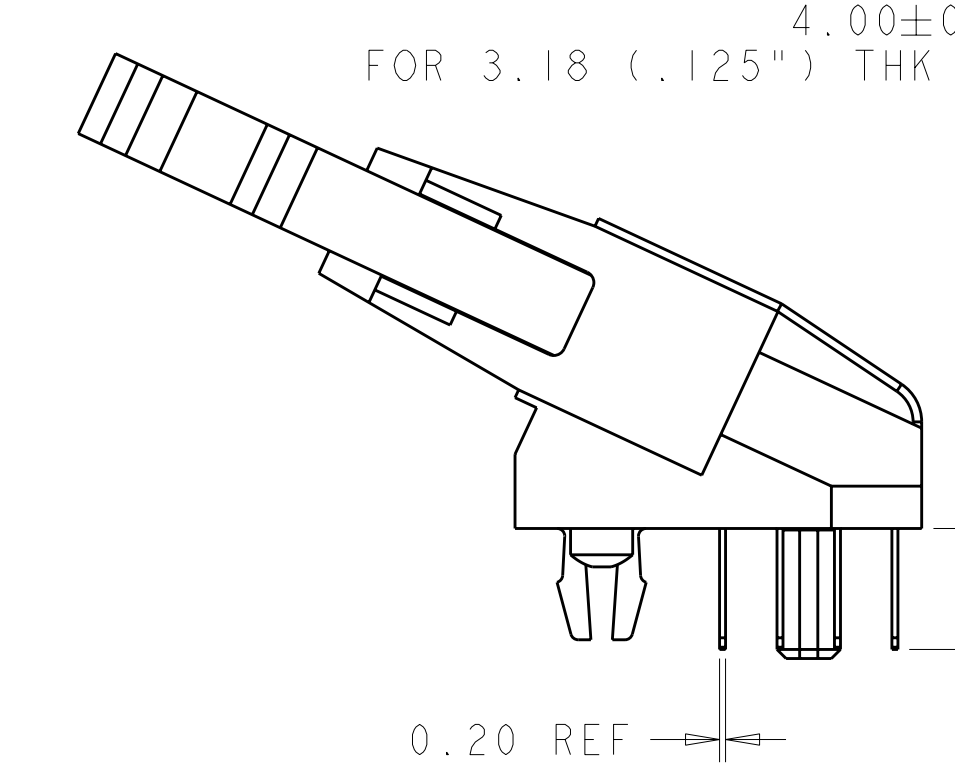
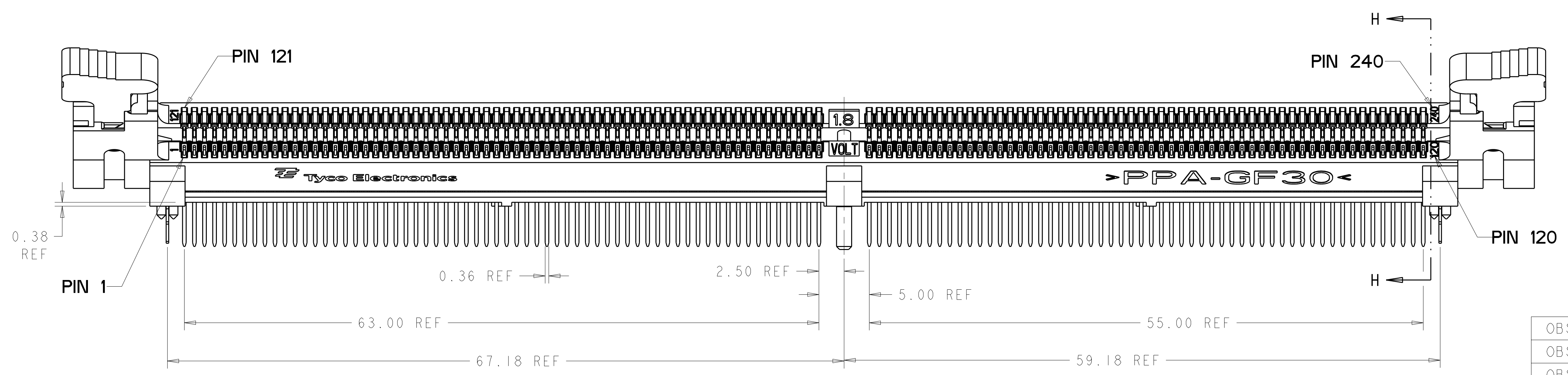


LOC	DIST	REVISIONS			
P	LTR	DESCRIPTION	DATE	OWN	APVD
A3		REVISED PER ECO-11-005033	09MAY2011	RK	HMR
A4		ECR-11-013206	27JUN2011	D.P	C.W



TAIL LENGTHS

- 2.67±0.25 FOR 1.60 (.063") THK PCB
- 3.18±0.25 FOR 2.36 (.093") THK PCB
- 4.00±0.25 FOR 3.18 (.125") THK PCB



- 1 MATERIALS:  
HOUSING: HIGH TEMPERATURE THERMOPLASTIC, BLACK, UL94 V-0  
EXTRACTOR: HIGH TEMPERATURE THERMOPLASTIC, NATURAL (OFF WHITE)  
CONTACTS: COPPER ALLOY  
RETENTION BARB: COPPER ALLOY
- 2 INTERFACE FINISH:  
0.00076 MIN THK GOLD OVER 0.00127 MIN THK NICKEL.  
0.00038 MIN THK GOLD OVER 0.00127 MIN THK NICKEL.
- 3 SOLDER TAIL FINISH:  
0.00300 MIN THK MATTE LEAD FREE PLATING OVER 0.00127 MIN THK NICKEL.
- 4 RIGHT HOLE IS GLOBAL D-E ORIGIN FOR ALL POSITIONAL TOLERANCES.  
LEFT AND RIGHT NON-PLATED THRU HOLES ESTABLISH [-E-].
- 5 FINISHED HOLE SIZE. Ø0.15 MAXIMUM ANNULAR RING.

- 6 DATUM [-F-] IS CONNECTOR SIDE SURFACE OF PCB.
- 7 PORE BLOCKER APPLIED TO CONTACT INTERFACE

	CONTACT GOLD INTERFACE	TAIL LENGTH	PART NUMBER
OBSOLETE	0.00008 MIN $\Delta$	4.00	1658912-9
OBSOLETE	0.00008 MIN $\Delta$	3.18	1658912-8
OBSOLETE	0.00008 MIN $\Delta$	2.67	1658912-7
	0.00038 MIN $\Delta$	4.00	1658912-6
	0.00038 MIN $\Delta$	3.18	1658-12-5
OBSOLETE	0.00038 MIN $\Delta$	2.67	1658912-4
	0.00076 MIN $\Delta$	4.00	1658912-3
	0.00076 MIN $\Delta$	3.18	1658912-2
	0.00076 MIN $\Delta$	2.67	1658912-1

THIS DRAWING IS A CONTROLLED DOCUMENT.

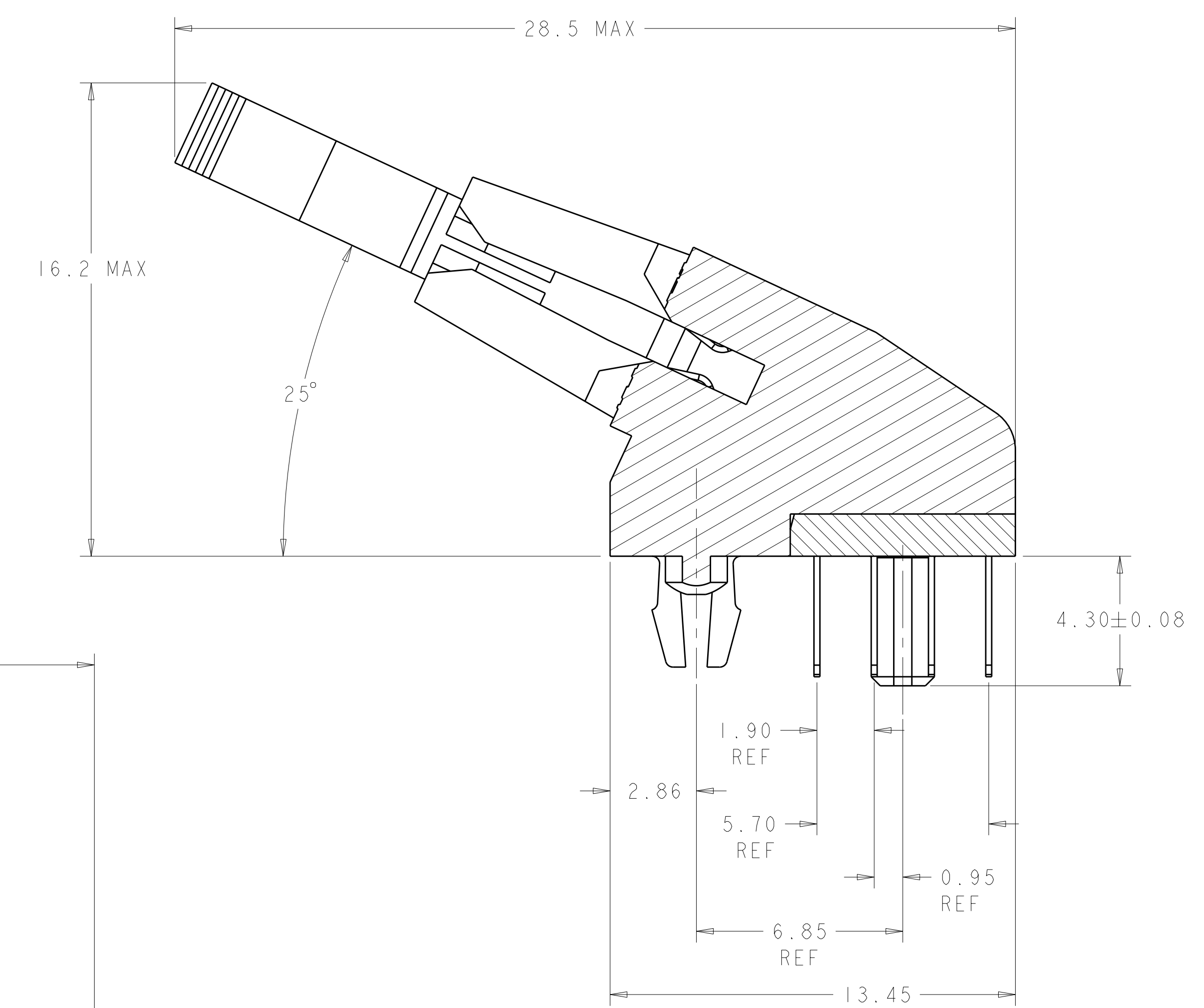
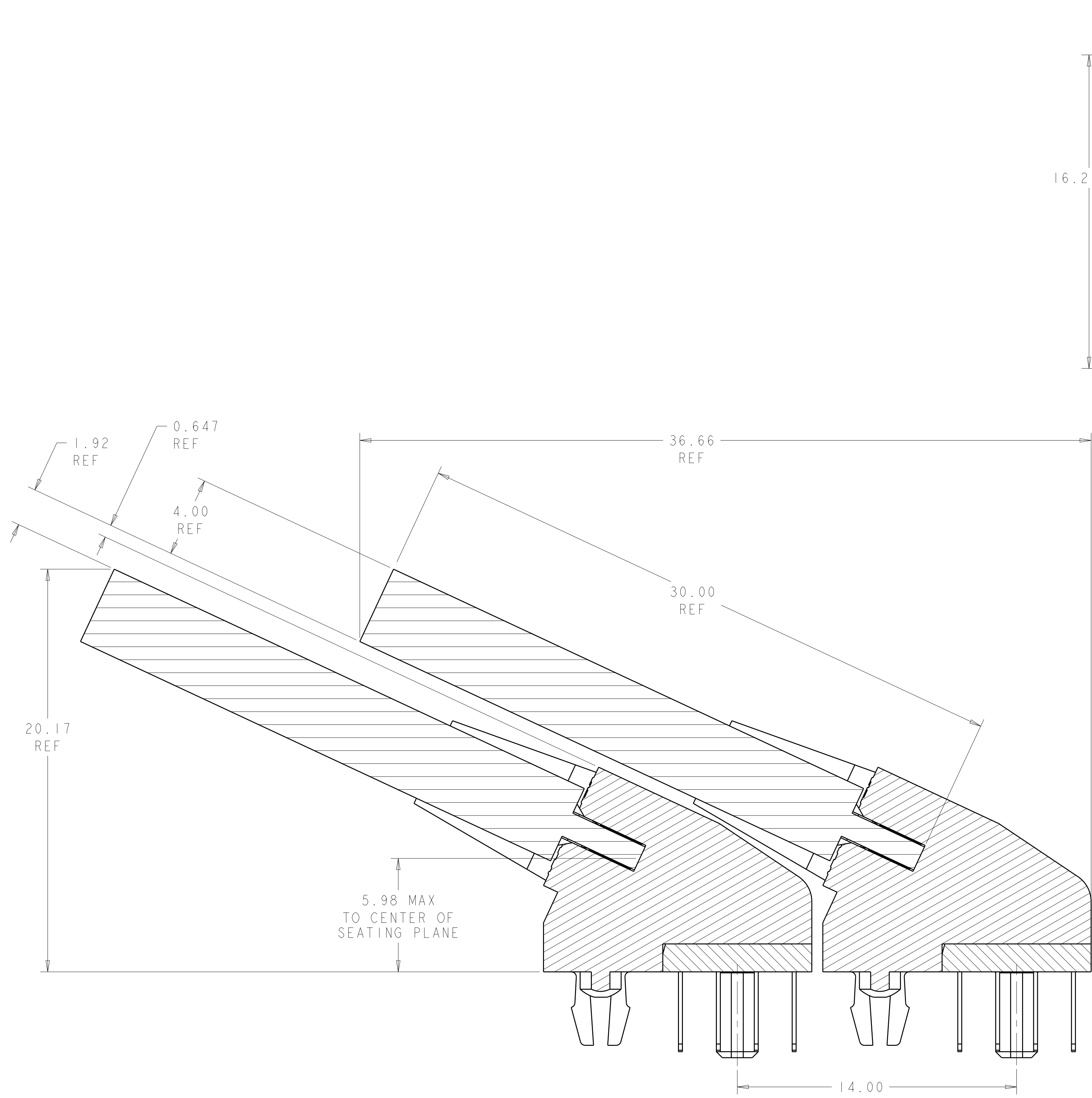
OWN: D. RINGLER 28OCT2003  
CHK: J. McCLELLAN 29OCT2003  
APVD: J. McCLELLAN 29OCT2003

STE TE Connectivity

PRODUCT SPEC: 108-2168  
APPLICATION SPEC: 114-13130

SIZE: A1 100779 C=1658912  
SCALE: 1:1 SHEET 1 OF 3 REV A4

LOC	DIST	REV	DATE	BY	APPD
ES	00				
DESCRIPTION			DATE	DWN	APPD
SEE SHEET 1					



SECTION H-H  
SCALE 8:1

MINIMUM RECOMMENDED ROW TO ROW SPACING  
FOR 4mm THICK MODULE

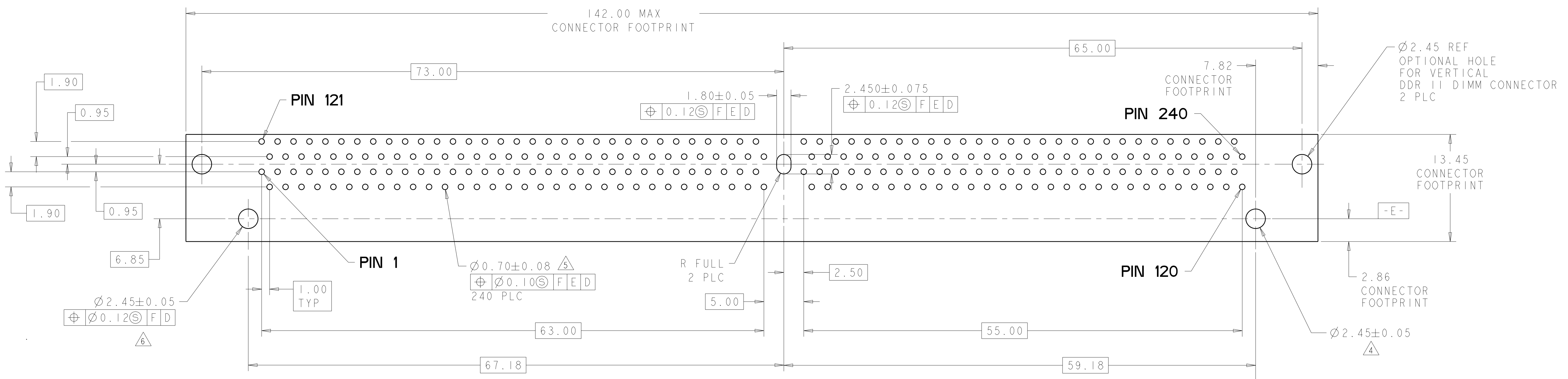
SCALE 8:1

THIS DRAWING IS A CONTROLLED DOCUMENT.		DWN D. RINGLER 28OCT2003	TE Connectivity
DIMENSIONS:		CHK J. McCLELLAN 29OCT2003	
mm	TOLERANCES UNLESS OTHERWISE SPECIFIED:	APVD J. McCLELLAN 29OCT2003	NAME
<ul style="list-style-type: none"> <li>0 PLC ±</li> <li>1 PLC ±0.25</li> <li>2 PLC ±0.15</li> <li>3 PLC ±0.013</li> <li>4 PLC ±</li> <li>ANGLES ±</li> <li>FINISH #1</li> </ul>	<ul style="list-style-type: none"> <li>9 PLC ±</li> <li>1 PLC ±0.25</li> <li>2 PLC ±0.15</li> <li>3 PLC ±0.013</li> <li>4 PLC ±</li> <li>ANGLES ±</li> <li>FINISH #1</li> </ul>	PRODUCT SPEC	SOCKET ASSEMBLY
MATERIAL		108-2168	25 DEGREE DDR 11 DIMM
		114-13130	240 POSITION, STANDARD FOOTPRINT
		WEIGHT	SIZE CAGE CODE DRAWING NO
		CUSTOMER DRAWING	A100779C=1658912
		SCALE 1:1	SHEET 2 OF 3
			REV A4

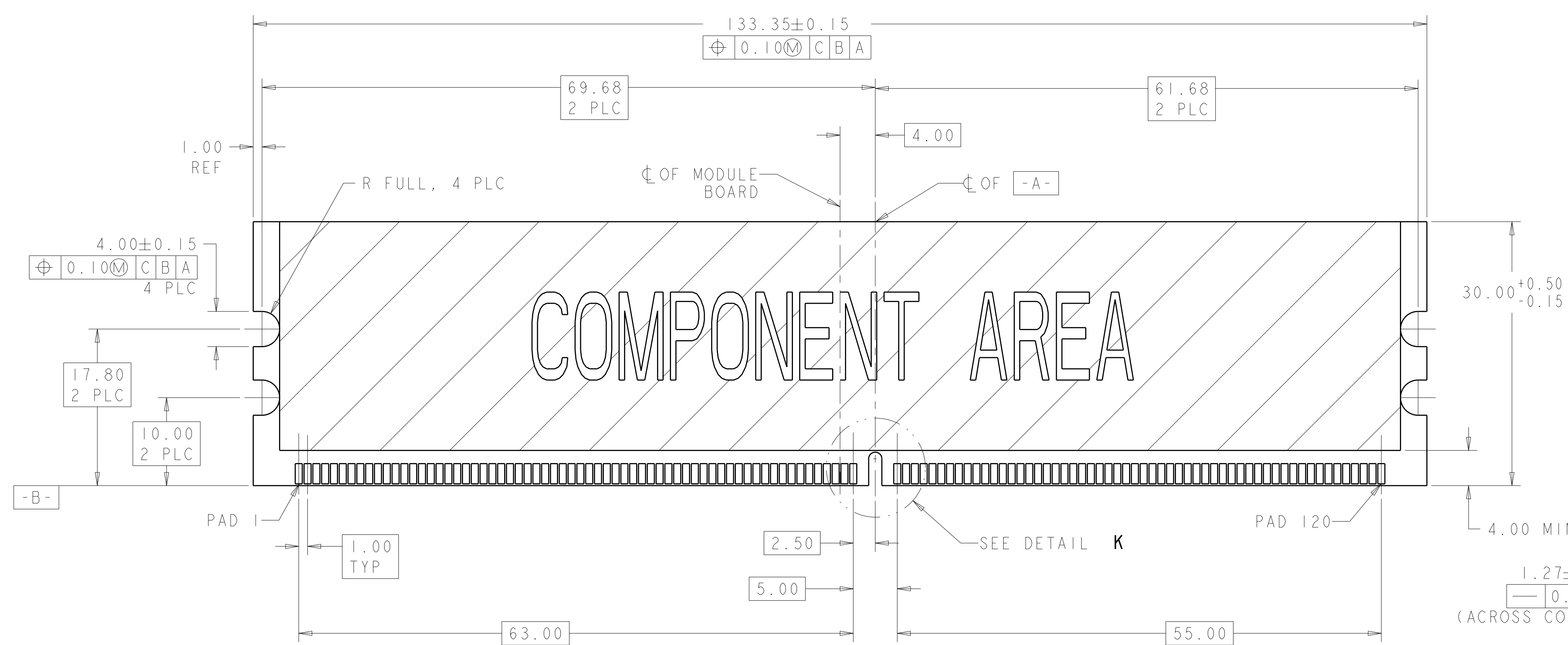
LOC	DIST	REV	DATE	BY	APPD
ES	00				

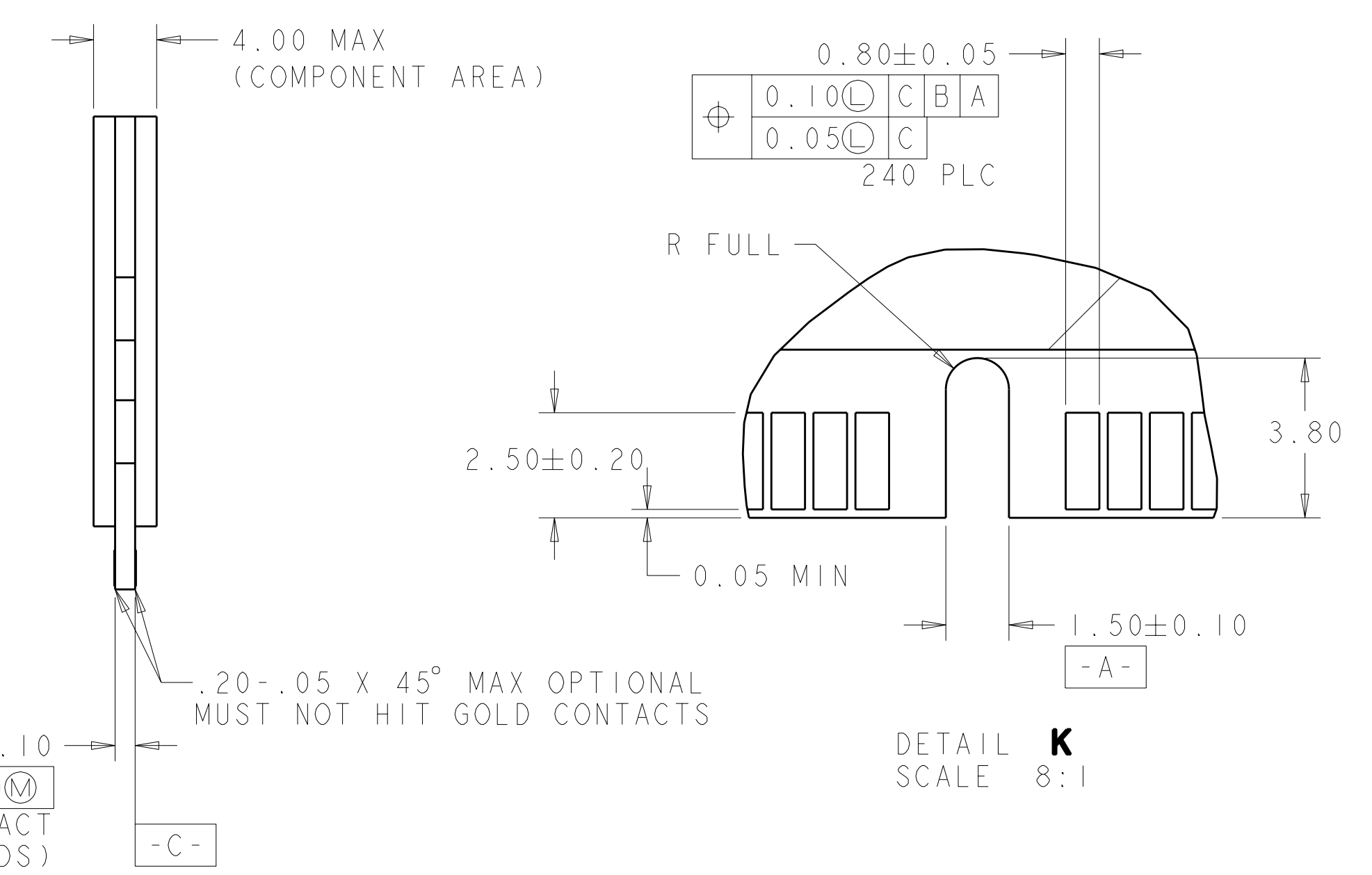
REVISIONS		DATE	BY	APPD
1	SEE SHEET 1			



RECOMMENDED PCB HOLE LAYOUT  $\Delta$   
VIEWED FROM CONNECTOR SIDE  
SCALE 4:1



RECOMMENDED MODULE LAYOUT  
SCALE 3:1



THIS DRAWING IS A CONTROLLED DOCUMENT.		DWN D. RINGLER 28OCT2003	TE Connectivity
DIMENSIONS: mm		CHK J. McCLELLAN 29OCT2003	
TOLERANCES UNLESS OTHERWISE SPECIFIED:		APVD J. McCLELLAN 29OCT2003	NAME SOCKET ASSEMBLY
9 PLC ± .25		PRODUCT SPEC	25 DEGREE DDR II DIMM
1 PLC ± .15		APPLICATION SPEC	240 POSITION, STANDARD FOOTPRINT
3 PLC ± .013		SIZE CAGE CODE DRAWING NO	RESTRICTED TO
4 PLC ± .01		WEIGHT	A100779C=1658912
ANGLES ± #1		CUSTOMER DRAWING	SCALE 1:1 SHEET 3 OF 3 REV A4