

**Technical specification:**

|                                     |                           |
|-------------------------------------|---------------------------|
| Rated voltage:<br>IEC 61076-2-104   | 60 V                      |
| Current rating:<br>IEC 61076-2-104  | 3 A at 40°C               |
| Insulation resistance:<br>IEC 60512 | >=100 MΩ                  |
| Pollution degree:<br>IEC 60664-1    | 3/2                       |
| Degree of protection:<br>IEC 60529  | IP 67, in mated condition |
| Temperature range:<br>IEC 60664-1   | -30°C ... +80°C           |
| Mating cycles:<br>IEC 60512-9a      | >=100                     |

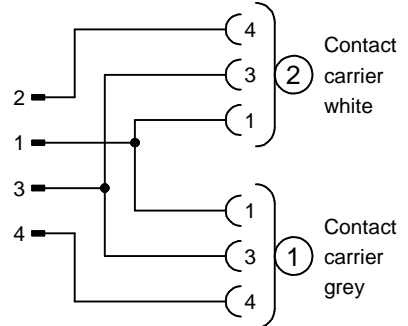
**Materials:**

|                         |                      |
|-------------------------|----------------------|
| Contact:                | CuZn                 |
| Contact plating:        | Nickel, gold plated  |
| Contact carrier:        | TPU GF, UL 94        |
| Sealing:                | FPM                  |
| Coupling nut/<br>screw: | GD-Zn, nickel plated |
| Moulding body:          | TPU, UL 94, grey     |

**Installation specification:**

|                           |  |
|---------------------------|--|
| Recommended torque M12x1: | 0,6 Nm   |
| Recommended torque M8x1:  | 0,4 Nm   |
| Conec installation tool:  | Torque wrench:<br>36-000200<br>Insert across flats 13:<br>36-000220<br>Insert across flats 9:<br>36-000210 |

**Contact assignment:**



| Part no: | Description:              |
|----------|---------------------------|
| 43-05117 | SAL - 12 - DS4 - 8 - 2DK3 |

|   |  |   |   |                    |          |                            |
|---|--|---|---|--------------------|----------|----------------------------|
| DO NOT ALTER CAD DRAWING BY HAND<br>Directive 2002/95/EC RoHS compliant | Index: b 28.03.11 VF Ä3767<br>Coupling nut/ screw modified, spanner flats added, data sheet modified   |   | title:<br><b>Duo-distributor, male connector M12x1 - 2x female connector M8x1</b> |                    |          |                            |
|   | tolerance of cable:  |   |   | date               | name     |                            |
|   | general tolerance:   | 0 ± 0,50mm<br>0,0 ± 0,25mm<br>0,00 ± 0,10mm | drawn   | 26.05.09           | Mankopf  | dwg no:<br><b>43K1A897</b> |
|   | THIS DRAWING MAY NOT BE COPIED OR REPRODUCED IN ANY WAY, AND MAY NOT BE PASSED ON TO A THIRD PARTY WITHOUT WRITTEN PERMISSION. OWNERSHIP AND COPYRIGHT OF CONEC GmbH |   |   | appd.              | 26.05.09 |                            |
|   |  | <b>CONEC</b> ®                              |   | part no: see table |          |                            |