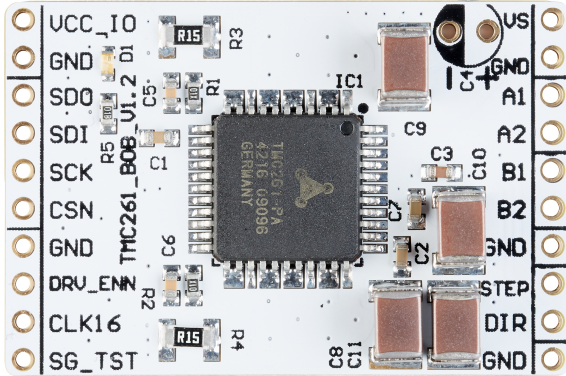


TMC261-PA BOB Description

Document Revision V1.00 • 2017-Oct-19

Module Top View



Features and additional Resources

- TMC261-PA stepper power driver
- Supply voltage 9-48V (60V max), $I_{phase,RMS}$ up to 1.4A
- Config via SPI, control via step/direction
- Optional cooling from bottoms ide
- Optional electrolyte cap at supply rail
- Board width 1.5", board height 1.0"
- 2x10 pin 0.1" header rows for pins/connectors
- Link to [additional information and IC data sheet](#)
- Link to [evaluation kit](#)

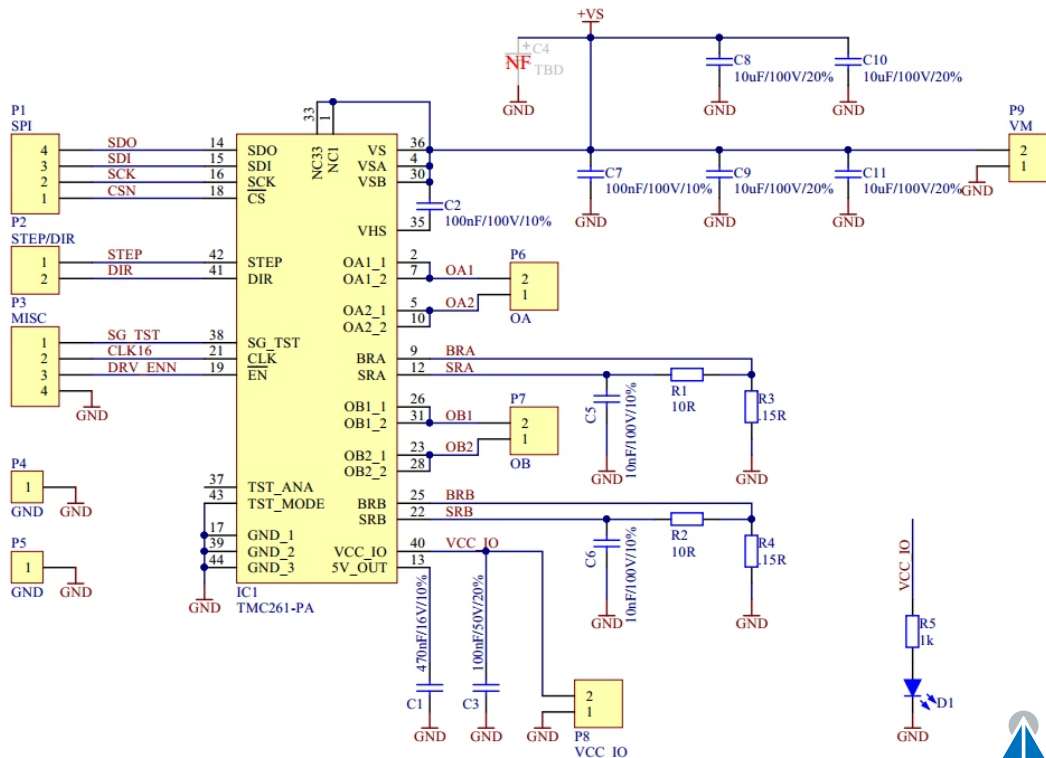
Pin List

Left	Signal	Right	Signal
1	VCC_IO (3.3V or 5V)	11	VS (9-48V)
2	GND	12	GND
3	SDO (data out)	13	OA1
4	SDI (data in)	14	OA2
5	SCK (up to 6MHz with external CLK)	15	OB1
6	CSN (active low)	16	OB2
7	GND	17	GND
8	DRV_ENN (active low)	18	STEP
9	CLK16 (pull to GND for internal CLK)	19	DIR
10	SG_TST (see datasheet)	20	GND

Bill of Materials

Pcs.	MPN	Value	Footprint	Description
1	MC0603X474K160CT	470nF,16V,10%	0603	Cap, Multicomp
2	GRM188R72A104KA35D	100nF,100V,10%	0603	Cap, Murata
1	MC0603F104M500CT	100nF,50V,20%	0603	Cap, Multicomp
2	MC0603B103K500C	10nF,100V,10%	0603	Cap, Multicomp
4	CKG45NX752A106M500JH	10uF,100V,20%	CKG45NX752A106M500JH	Cap, TDK
1	LTST-C191TBKT-5A	20mA,2.8V,465nm	0603	LED, Lite-On
1	TMC261-PA	TMC261-PA	PQFP44,10x10,0.8	Driver, TRINAMIC
2	MCWR06X10R0FTL	10R,10mW,1%	0603	Res, Multicomp
2	RCWE1210R150FKEA	0.15R,1W,1%	1210	SenseR, Vishay
1	MC0063W060311K	1k	0603	Res, Multicomp

BOB Schematics



©2017 TRINAMIC Motion Control GmbH & Co. KG, Hamburg, Germany
 Download newest version at: www.trinamic.com

