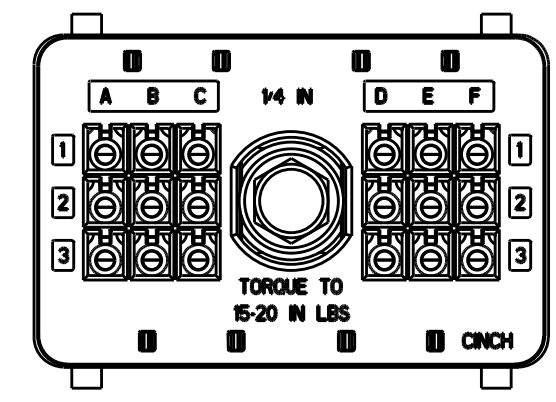
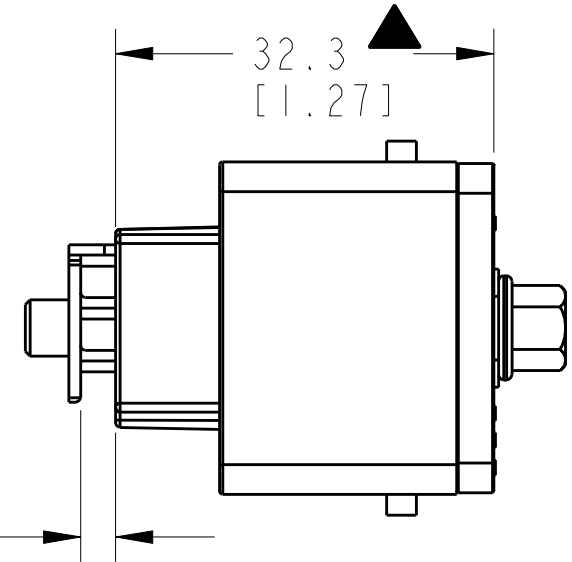
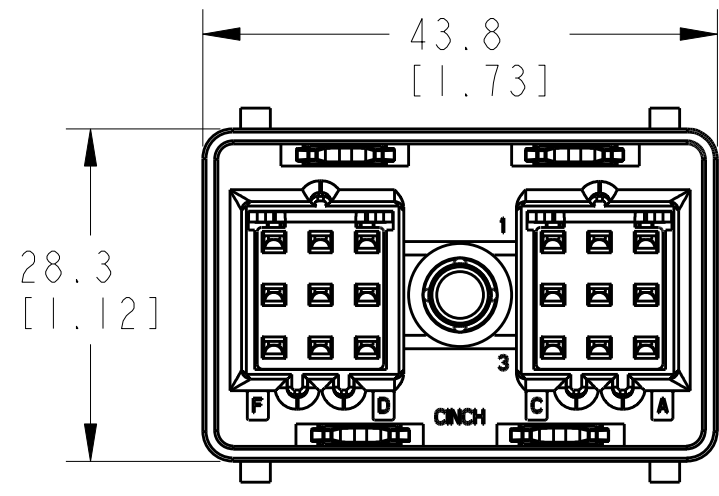
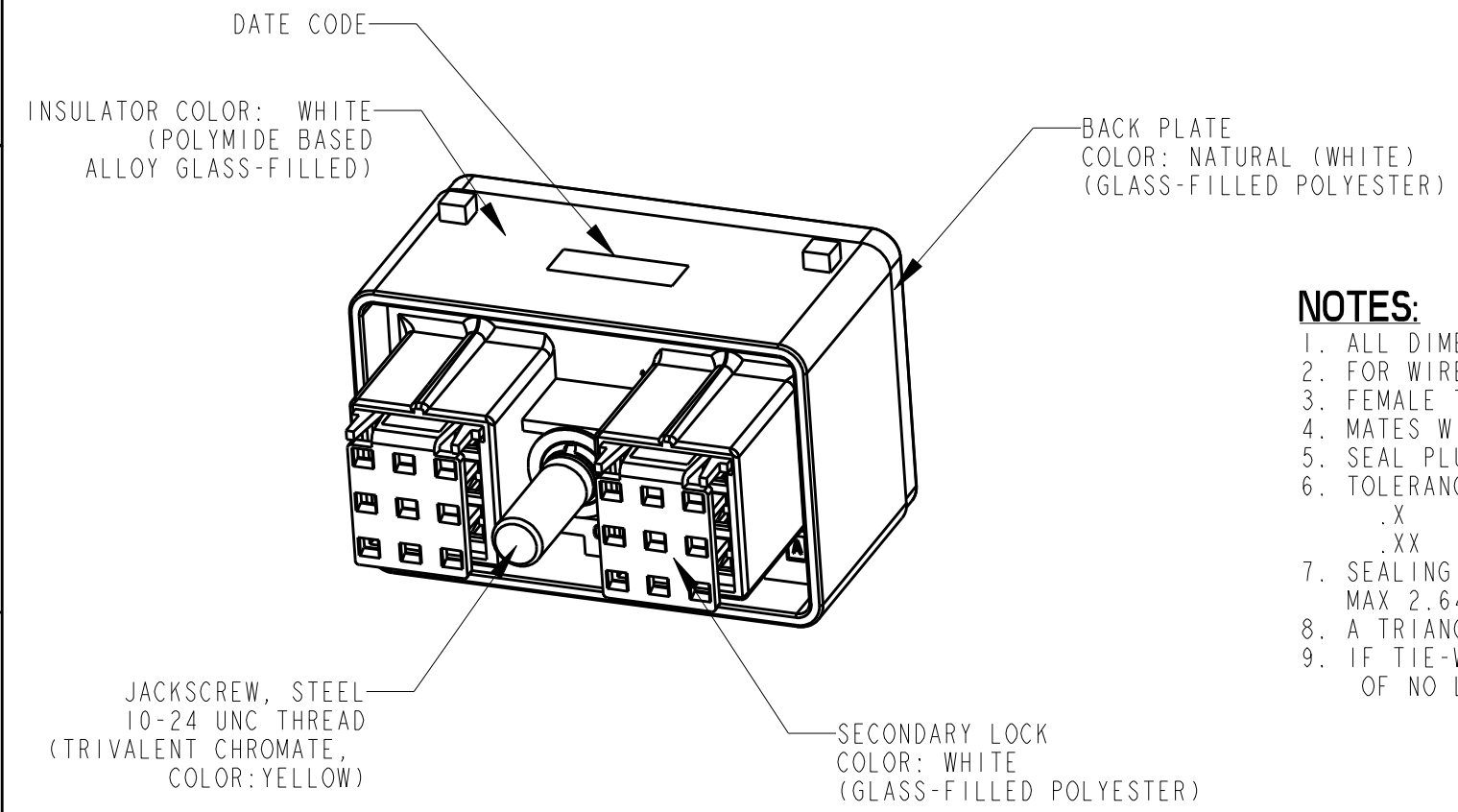


DRAWING REVISIONS (RELEASE DATE ON FILE)			
REV	DOCUMENT	APP	APPROVAL DATE
D	PER CO# 839	V.R.	02/18/10



REAR VIEW

2.6 REF
[.10]
SECONDARY LOCK SHIPPED
IN PRE-STAGED POSITION



NOTES:

1. ALL DIMENSIONS ARE IN MILLIMETERS. DIMENSIONS IN [] ARE IN INCHES.
2. FOR WIRE SIZE APPLICATION, CONSULT FACTORY.
3. FEMALE TERMINAL ORDERED SEPARATELY: 425 00 00 873/872.
4. MATES WITH CINCH HEADER CONNECTOR (CONSULT FACTORY).
5. SEAL PLUG ORDERED SEPARATELY: 581 00 00 011.
6. TOLERANCES UNLESS OTHERWISE SPECIFIED:
.X ±0.5
.XX ±0.25
7. SEALING RANGE FOR WIRE INSULATION DIA.;
MAX 2.64MM (.104"), MIN 1.96MM (.077").
8. A TRIANGLE ▲ INDICATES CRITICAL FUNCTION DIMENSION.
9. IF TIE-WRAP DRESSING CONDUCTORS, CINCH RECOMMENDS A SPACING OF NO LESS THAN 2 INCHES BEHIND THE BACK PLATE.

UNITS METRIC	DESIGN ENGINEER A. CAINES	DATE 4/25/00	CINCH		1700 FINLEY RD LOWBARD, IL 60148	
			TITLE 18 POSITION SOCKET CONNECTOR			
DO NOT SCALE DRAWING			MATERIAL		CONTROL SPEC NUMBER	
CONFIDENTIAL THIS DOCUMENT IS THE PROPERTY OF CINCH. NEITHER THIS DOCUMENT NOR ANY OF THE INFORMATION CONTAINED IN IT MAY BE DUPLICATED OR DISCLOSED WITHOUT PRIOR WRITTEN CONSENT OF CINCH. ©COPYRIGHT 2010 CINCH			MATERIAL SPEC NUMBER		PROJECT NUMBER A14243	
			CAD FILE NUMBER 5810118024		DRAWING NUMBER 5810118024S	
			CAGE IDENT NO. 71785	SIZE B	SCALE 3:2	SHEET 1 OF 1

APPROVALS
ON FILE

MODELED BY: