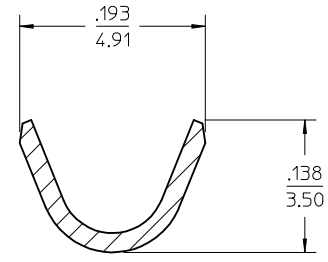
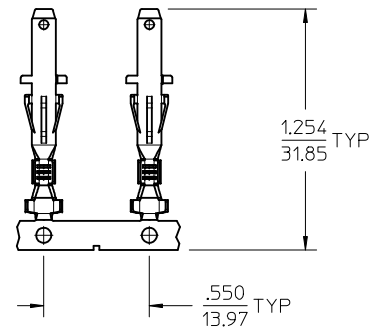


SECTION W-W  
SCALE 10:1  
CONDUCTOR CRIMP

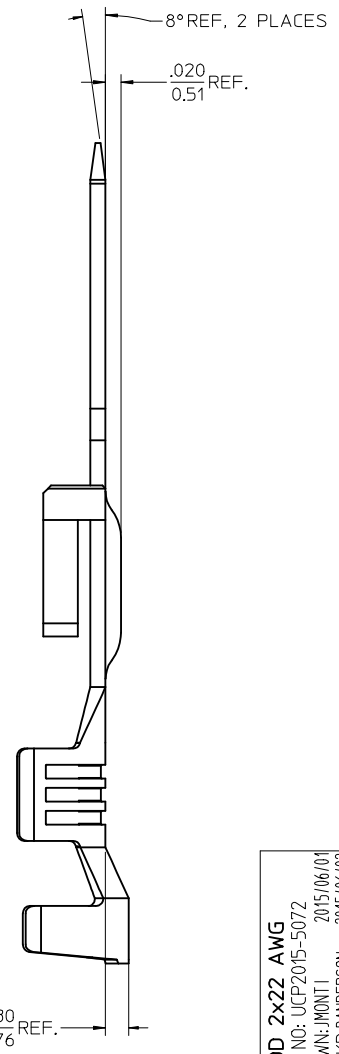
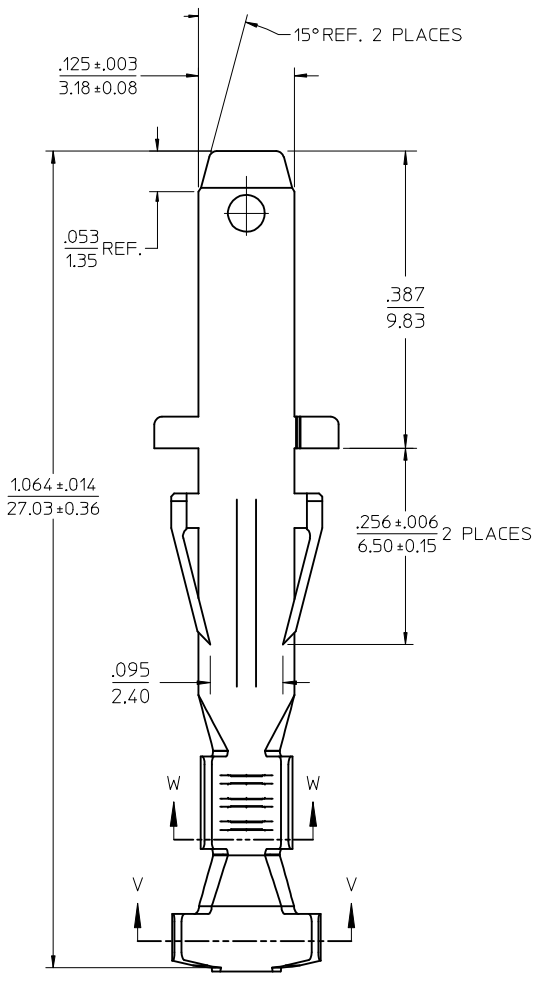


SECTION V-V  
SCALE 10:1  
INSULATION CRIMP

MATERIAL NUMBER	FINISH
43178-4001	999
43178-4002	H901



CARRIER STRIP PROGRESSION  
SCALE 2:1



NOTES

- MATERIAL: BRASS
- FINISH:  
999 - UNPLATED  
H901 - 20 MICRINCH / 0.5 MICROMETERE MIN. PREPLATED HOT TIN DIP
- PRODUCT SPECIFICATION: PS-44441-001
- PACKAGING: TERMINALS ARE WOUND ON 30" REELS WITH PAPER INTERLEAF. 6000 PER REEL.
- TERMINAL ACCEPTS SINGLE #18 OR #20 AWG STRANDED WIRE; INSULATION: UL TYPE 1015, .098-.110 / 2.50-2.85 DIAMETER, (.031 / 0.79 NOMINAL JACKET WALL THICKNESS) OR DOUBLE 22 AWG.
- TERMINAL FOR USE IN "SABRE" PLUG HOUSINGS, SERIES 43680. MATES TO 43374 / 43375 SERIES TERMINALS.
- TERMINAL HAS TPA (TOTAL POSITIONING ASSURANCE) OPTIONAL ACTIVATION FEATURE THAT WHEN ACTIVATED AND USED WITH MOLEX "SABRE" SERIES PLUG HOUSINGS PROVIDES A SECONDARY LOCK SYSTEM WHICH ENSURES AGAINST TERMINAL BACKOUTS.

ADD 2x22 AWG EC NO: UCP2015-5072 DRWN:JMONT 2015/06/01 CHKD:BARBERSON 2015/06/02 APPR:FSMITH 2015/06/15	QUALITY SYMBOLS ▽=0 ▽=0 ▽=0	GENERAL TOLERANCES (UNLESS SPECIFIED)		DIMENSION STYLE	SCALE	DESIGN UNITS	THIRD ANGLE PROJECTION TERMINAL, MALE CRIMP, 18-20 AWG, .125 WIDE TAB SABRE SERIES, W/ TPA <b>molex</b> DOCUMENT NO. SD-43178-002 SHEET NO. 1 OF 1
				IN/MM	8:1	INCH	
				DRAWN BY	DATE	TITLE	
				CHECKED BY	DATE		
A1	DESCRIPTION REV			DATE			
				DATE			
				DATE			
				DATE			
		ANGULAR ±1/2°		MATERIAL NO.			
		DRAFT WHERE APPLICABLE MUST REMAIN WITHIN DIMENSIONS		SEE CHART			
				SIZE	THIS DRAWING CONTAINS INFORMATION THAT IS PROPRIETARY TO MOLEX INCORPORATED AND SHOULD NOT BE USED WITHOUT WRITTEN PERMISSION		