

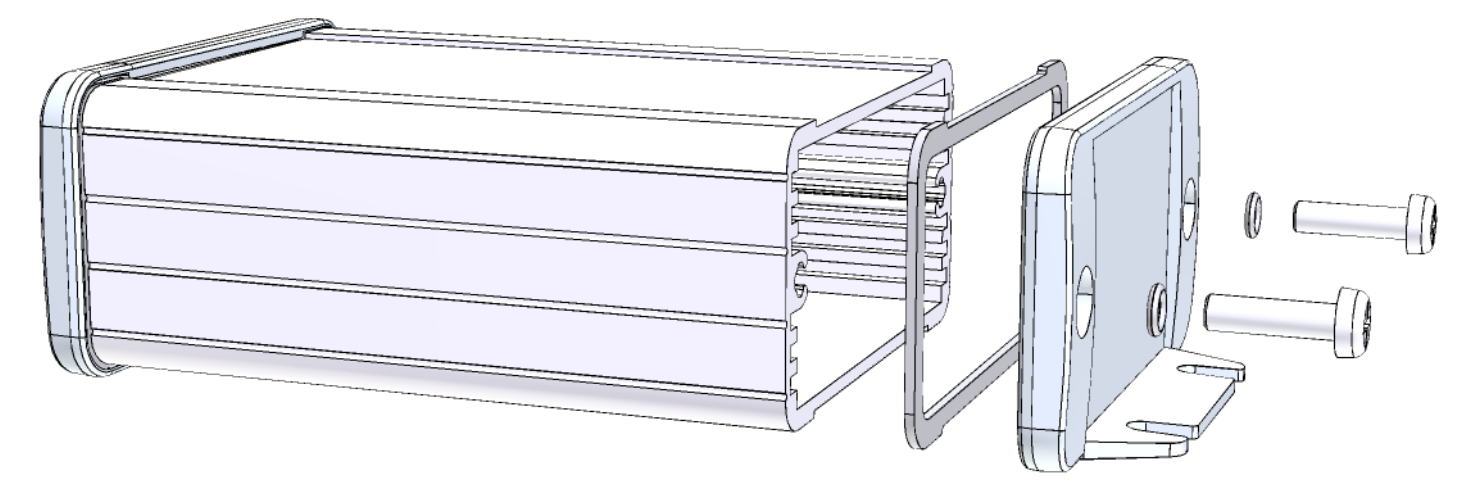
ASSEMBLY - VIEW FROM TOP

Inside Face to Face Dimension

SECTION G-G

DETAIL J

END PANEL - VIEW FROM OUTSIDE



PROTECTION TO IP 65
 Enclosures can be Factory Modified (Milling, Drilling, Printing etc.)
 Contact Factory mjm@hammondmfg.com for quotes
 Solid models of this enclosure available in STEP or IGES.

NOTE	
Purchased assembly includes box, end panels, stainless steel #6 Taptight screws, self adhesive rubber feet, gaskets and O-Rings.	
Box made from Extruded Aluminum 6063.	
End panels made from Type 380 Diecast Aluminum with a black powder paint finish.	
WATERPROOF 1457C802	
PART NUMBERS	
Clear anodized box with black powder painted end panels	1457C802
Black powder painted box and end panels	1457C802BK
EMI/RFI SHIELDED (IP 54)	
Clear anodized box with black powder painted end panels	1457C802E
Black powder painted box and end panels	1457C802EBK
ACCESSORIES	
See website for accessories.	

HAMMOND MANUFACTURING™
1457C802
www.hammondmfg.com

Fits 80mm (3.149") X 55mm (2.165") PCB
 Note: Aluminum extrusion has a tolerance of -/+ .02"

- ∅3.50 mm x 8.00 mm
- ∇ ∅7.00 mm x 2.00 mm 2X
- ∅5.00 mm x 0.60 mm 2X