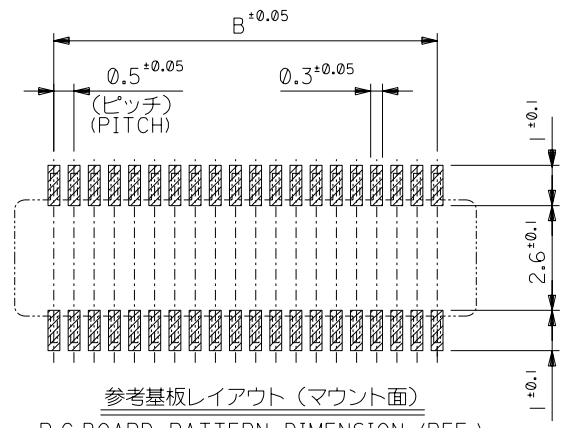
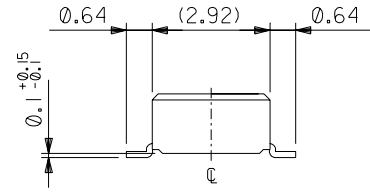
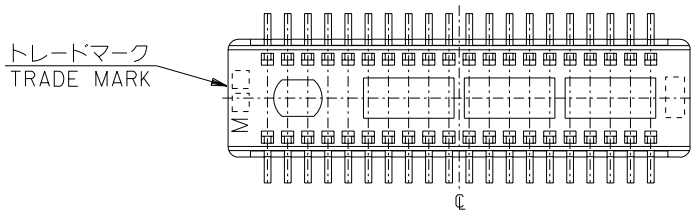
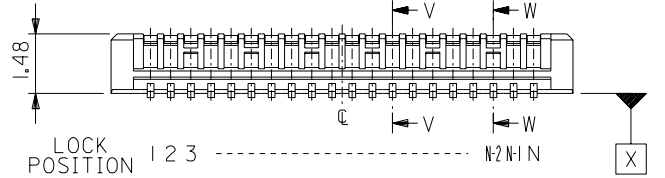
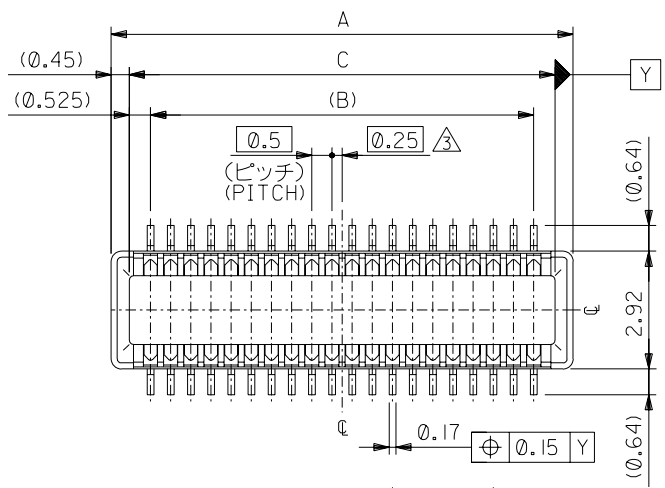
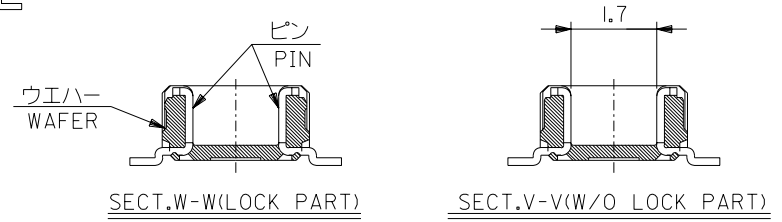


DWG. NO.  
SD-500334-001



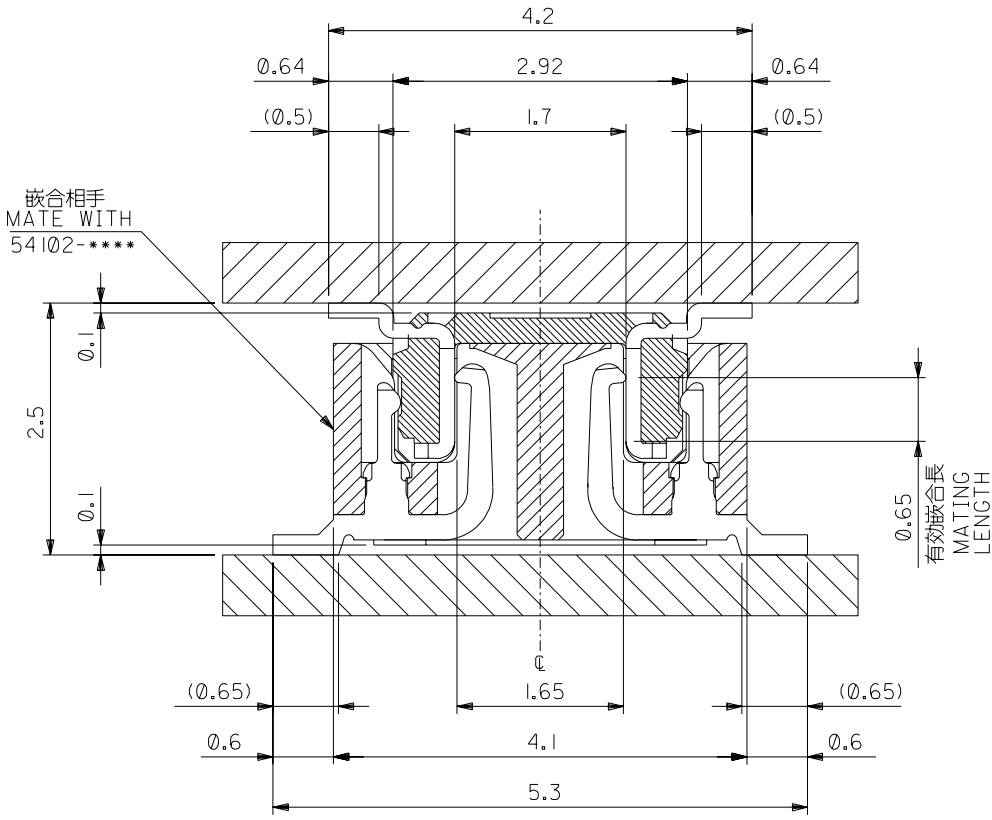
参考基板レイアウト (マウント面)  
P.C. BOARD PATTERN DIMENSION (REF.)  
(MOUNTING AREA)



ALL	8.05	7	8.95	500334-0308	30
	5.55	4.5	6.45	500334-0208	20
	4.55	3.5	5.45	500334-0168	16
LOCK POSITION	C	B	A	MATERIAL No.	CIRCUIT

DO NOT SCALE DRAWING

EC NO. DRWN: CHK: APPR:	EC NO. DRWN: CHK: APPR:	EC NO. DRWN: CHK: APPR:	REVISED '04/03/22 EC NO. J2004-2899 DRWN: K. TOYODA CHK: K. ASAKAWA APPR: S. ICHIKAWA	RELEASED '03/04/04 EC NO. J2003-2536 DRWN: T. YASUI CHK: T. ITO APPR: T. YAMAGUCHI	DESCRIPTION MATERIAL 材料 FINISH 仕上げ WIRE RANGE 適用線径範囲 INS. RANGE 被覆外径	注記参照 SEE NOTES —	GENERAL TOLERANCES: (UNLESS SPECIFIED) 一般公差 10 UNDER 未満 ±0.2 10 OVER 30 UNDER 未満 ±0.25 30 OVER 以上 ±0.3 ANGLE 角度 ±3°	SCALE —	MODEL No. 500334-***8 DESIGN UNITS <input checked="" type="checkbox"/> mm <input type="checkbox"/> INCH	DIMENSIONS: <input type="checkbox"/> mm <input type="checkbox"/> INCH <input type="checkbox"/> mm ONLY	SHT 1 OF 2 REV
DRAWN BY & DATE T. YASUI '03/ 4/ 4			TITLE: 0.5 BOARD TO BOARD Conn PLUG Assy (Hgt=2.5) -LEAD FREE-			DRAWN BY & DATE T. YAMAGUCHI '03/ 4/ 7			MATERIAL NO. SEE CHART DRAWING NO. SD-500334-001		
APPROVED BY & DATE T. YAMAGUCHI '03/ 4/ 7			MATERIAL NO. SEE CHART DRAWING NO. SD-500334-001			CAD FILENAME SD-500334-001.S01			SHEET NO. 1 OF 2		
THIS DRAWING CONTAINS INFORMATION THAT IS PROPRIETARY TO MOLEX INCORPORATED AND SHOULD NOT BE USED WITHOUT WRITTEN PERMISSION.											SIZE B



注記 NOTES:

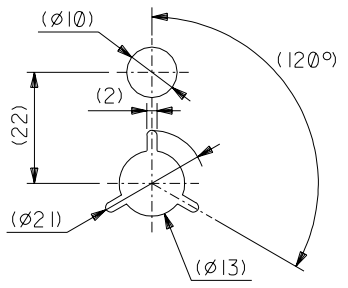
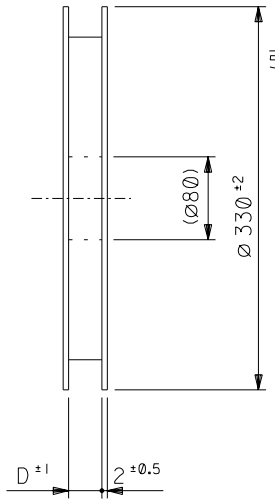
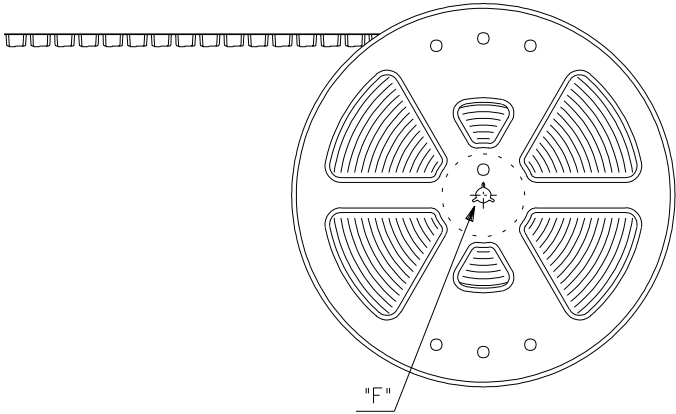
1. 使用材料 MATERIAL  
 ハウジング: 液晶ポリマー (LCP), ガラス充填, UL94V-0, 色: 黒  
 HOUSING: LIQUID CRYSTAL POLYMER(LCP), GLASS FILLED  
 UL94V-0, COLOR: BLACK  
 ターミナル: 黄銅 (t=0.15)  
 TERMINAL: BRASS (t=0.15)
2. メッキ仕様 PLATING  
 金メッキ 0.25マイクロメートル以上 (コンタクト部)  
 GOLD(Au) 0.25 MICROMETER MINIMUM (CONTACT AREA)  
 金メッキ 0.4マイクロメートル以下 (テール部)  
 GOLD(Au) 0.4 MICROMETER MAXIMUM (TAIL AREA)  
 下地メッキ: ニッケルメッキ 1.5マイクロメートル以上  
 UNDER PLATING: NICKEL 1.5 MICROMETER MINIMUM
3. (全極数/2) = 偶数の場合に適用。  
 APPLY FOR (CIRCUIT/2)=EVEN.
4. 嵌合相手: 54102シリーズ  
 MATE WITH: 54102 SERIES.
5. テール平坦度は 0.1以下。  
 TAIL COPLANARITY TO BE 0.1 MAXIMUM.

DO NOT SCALE DRAWING

64 NO. DRWN: CH'K: APPR: 63 NO. DRWN: CH'K: APPR: 62 NO. DRWN: CH'K: APPR: 61 NO. DRWN: CH'K: APPR: A 60 NO. DRWN: CH'K: APPR:		SEE SHEET 1 OF 2	MATERIAL 材料 注記参照 SEE NOTES	GENERAL TOLERANCES: (UNLESS SPECIFIED) 一般公差 10 UNDER 未測 ±0.2 10 OVER 以上 30 UNDER 未測 ±0.25 30 OVER 以上 ±0.3 ANGLE 角度 ±3°	MODEL No. 500334-***8 DIMENSIONS: SHT REV DESIGN UNITS: mm INCH PROJECTION: 2D 3D TITLE: 0.5 BOARD TO BOARD Conn PLUG Assy (Hgt=2.5) -LEAD FREE- MOLEX INCORPORATED	CAD FILENAME: SD-500334-001.S02 MATERIAL NO. SEE CHART DRAWING NO. SD-500334-001 SHEET NO. 2 OF 2
WIRE RANGE 適用電線範囲 // INS. RANGE 被覆外径 //		DESCRIPTION 仕上り //	REV	THIS DRAWING CONTAINS INFORMATION THAT IS PROPRIETARY TO MOLEX INCORPORATED AND SHOULD NOT BE USED WITHOUT WRITTEN PERMISSION.	SIZE B	

DWG. NO. SD-500334-003

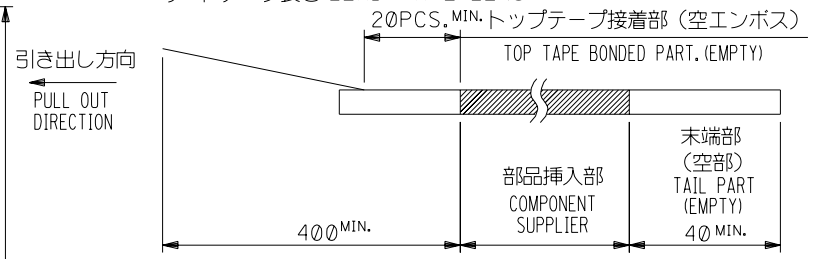
引き出し方向  
PULL OUT DIRECTION



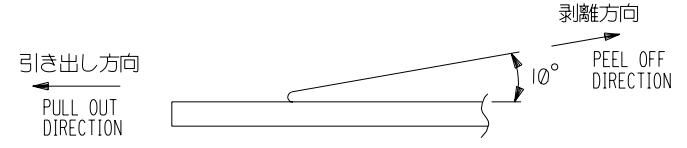
DETAIL "F"

NOTES

- 製品詳細寸法については図面SD-500334-001を参照下さい。  
RE DETAILED DIMENSION, SEE SD-500334-001
- 梱包数量: 2500個/リール  
NUMBER OF CONNECTORS: 2500PCS/REEL
- リードテープ長さ LEAD TAPE LENGTH



- トップテープの剥離強度:  $0.1N \sim 0.7N (10.2gf \sim 71.4gf)$   
(剥離方向は下図参照)  
尚、本規格値は出荷時に適用。(但し、輸送時に剥離が発生しないこと。)  
PEELING OFF FORCE OF TOP TAPE:  $0.1N \sim 0.7N (10.2gf \sim 71.4gf)$   
(PEELING DIRECTION AS SHOWN IN FOLLOWING FIG.)  
THIS REQUIREMENT SHOULD BE APPLIED AT SHIPMENT.  
PEEL OFF SHOULD NOT BE ALLOWED, DURING TRANSPORTATION.



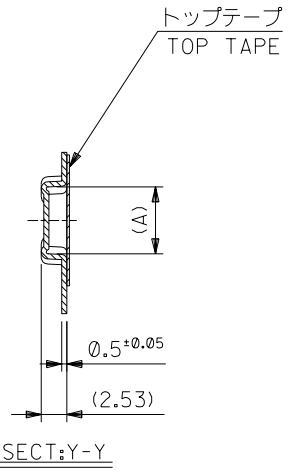
- 材料(MATERIAL)  
キャリアテープ(CARRIER TAPE): ポリプロピレン(POLYPROPYLENE)  
トップテープ(TOPTAPE): PET, PE, PEF  
リール(REEL): ポリスチレン(PS) <リサイクル材を含む>  
POLYSTYRENE(PS) <RECYCLE MATERIAL CONTAINED>

DO NOT SCALE DRAWING

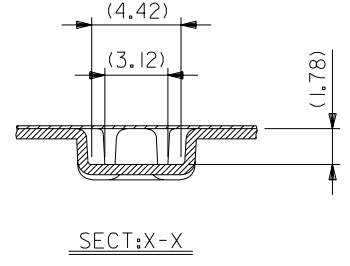
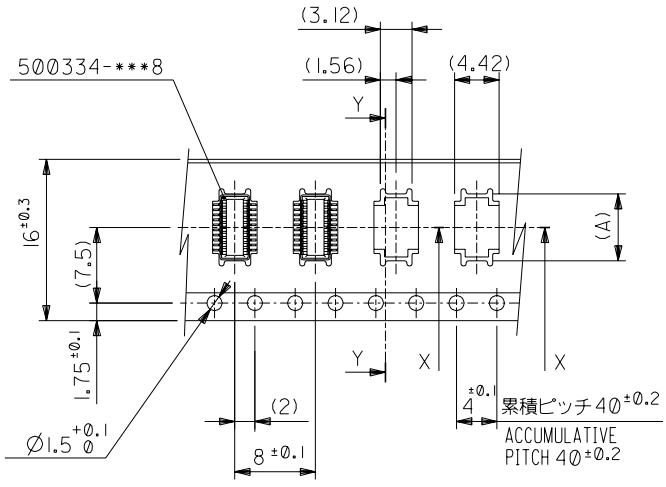
64 NO. DRWN: CH'K: APPR:  63 NO. DRWN: CH'K: APPR:  62 NO. DRWN: CH'K: APPR:  61 NO. DRWN: CH'K: APPR:	RELEASED 03/05/06 60 NO. J2003-2815 DRWN: T.YASUI CH'K: T.ITO APPR: T.YAMAGUCHI	MATERIAL 材料 注記参照 SEE NOTES	GENERAL TOLERANCES: (UNLESS SPECIFIED) 一般公差		SCALE	MODEL No.	500334-***1	DIMENSIONS:		SHT	REV
			10 UNDER 未満 30 UNDER 未満	±0.2	DRAWN BY & DATE T.YASUI '03/ 5/ 6	<input checked="" type="checkbox"/> mm <input type="checkbox"/> INCH	<input type="checkbox"/> mm <input type="checkbox"/> INCH	<input type="checkbox"/> mm <input type="checkbox"/> INCH	<input checked="" type="checkbox"/> mm ONLY	<input type="checkbox"/> mm <input type="checkbox"/> INCH	<input type="checkbox"/> mm <input type="checkbox"/> INCH
		FINISH 仕上げ //	10 OVER 30 UNDER 未満 30 OVER 以上	±0.25	CHECKED BY & DATE T.ITO '03/ 5/ 6	TITLE: Embstp Pkg FOR 0.5 B-To-B PLUG Assy (Hgt=2.5)					
		WIRE RANGE 適用規格範囲 //	30 OVER 以上	±0.3	APPROVED BY & DATE T.YAMAGUCHI '03/ 5/ 6		MOLEX INCORPORATED				
		INS. RANGE 被覆外径 //	ANGLE 角度	±3°	CAD FILENAME SD-500334-003.S01	MATERIAL NO. SEE SHEET 2 OF 2	DRAWING NO. SD-500334-003	SHEET NO. 1 OF 2			
THIS DRAWING CONTAINS INFORMATION THAT IS PROPRIETARY TO MOLEX INCORPORATED AND SHOULD NOT BE USED WITHOUT WRITTEN PERMISSION.											SIZE B

SD-500334-003.S01

DWG. NO.  
SD-500334-003



引き出し方向  
PULL OUT DIRECTION



16mm幅キャリアテープ  
16mm WIDTH CARRIER TAPE

DO NOT SCALE DRAWING

64 NO. DRWN: CH'K: APPR:	63 NO. DRWN: CH'K: APPR:	62 NO. DRWN: CH'K: APPR:	61 NO. DRWN: CH'K: APPR:	60 NO. J2003-2815 DRWN: T.YASUI CH'K: T.IITO APPR: T.YAMAGUCHI
0				

MATERIAL 材料 SHEET 1 OF 2 参照 REFER TO SHEET 1 OF 2	FINISH 仕上げ //	WIRE RANGE 適用電線範囲 //	INS. RANGE 被覆外径 //
---	------------------	-------------------------	-----------------------

GENERAL TOLERANCES: (UNLESS SPECIFIED) 一般公差 10 UNDER 未満 ±0.2 10 OVER 30 UNDER 未満 ±0.25 30 OVER 以上 ±0.3 ANGLE 角度 ±3°
---

SCALE 1/1 DESIGN UNITS ① mm ② INCH MODEL No. 500334-***1 DRAWN BY & DATE T.YASUI '03/ 5/ 6 CHECKED BY & DATE T.IITO '03/ 5/ 6 APPROVED BY & DATE T.YAMAGUCHI '03/ 5/ 6 CAD FILENAME SD-500334-003.S02
---

16	17.5	6.65	500334-0201	20
キャリアテープ幅 CARRIER TAPE WIDTH	D	(A)	MATERIAL No.	極数 CKT.
DIMENSIONS: <input type="checkbox"/> mm <input type="checkbox"/> INCH <input checked="" type="checkbox"/> mm ONLY			SHT REV 2 2 CAD ONLY	
TITLE: Embstp Pkg FOR 0.5 B-To-B PLUG Assy (Hgt=2.5)				
MOLEX MOLEX INCORPORATED			MATERIAL NO. SD-500334-003 DRAWING NO. SD-500334-003 SHEET NO. 2 OF 2	
THIS DRAWING CONTAINS INFORMATION THAT IS PROPRIETARY TO MOLEX INCORPORATED AND SHOULD NOT BE USED WITHOUT WRITTEN PERMISSION.				SIZE B