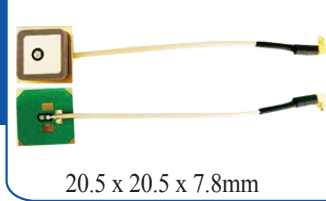


RFID Reader (Passive)



20.5 x 20.5 x 7.8mm

ARRCN5-915.000MHz

RoHS/RoHS II Compliant

MSL level: Not Applicable

➤ **FEATURES:**

- High Gain
- Easy to install
- RF Cable and Connector
- RoHS Compliant

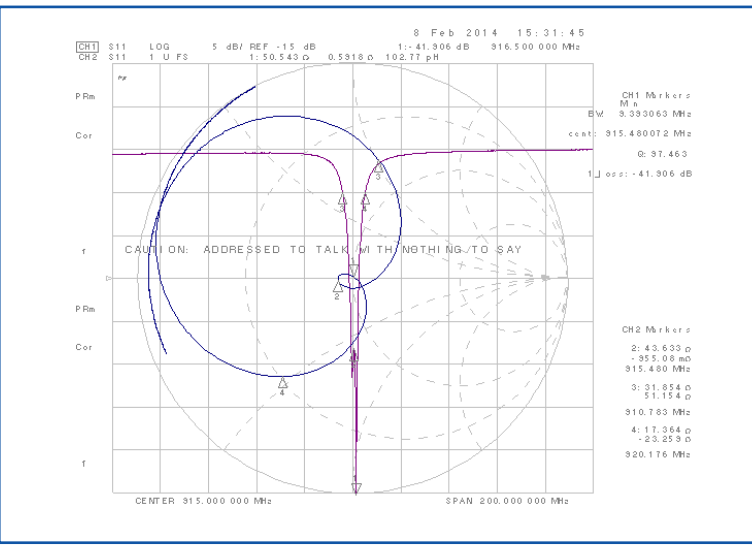
➤ **TYPICAL APPLICATIONS:**

RFID systems for Logistic & Inventory Management of Retail, Pharmaceutical, Automotive Industries; Industrial automation, Contactless smart cards.

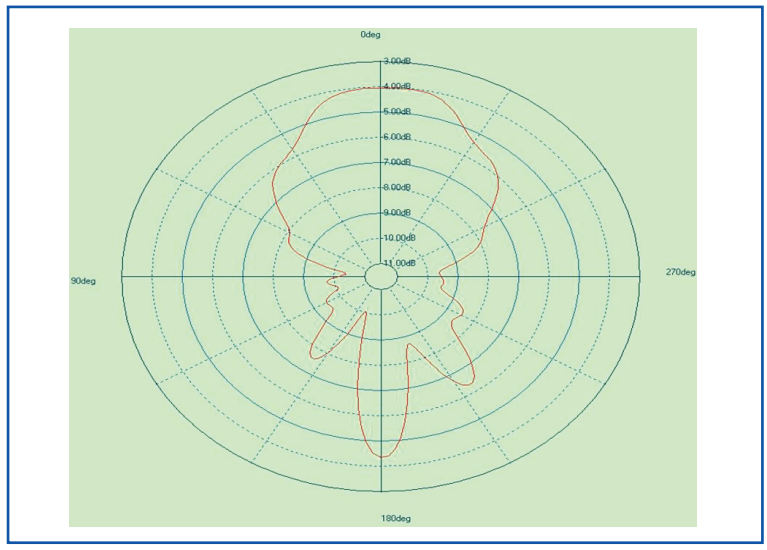
➤ **STANDARD SPECIFICATIONS:**

| Parameters | Min. | Typ. | Max. | Units | Note |
|---------------------|------|-------|------|-------|-------------------------------|
| Center Frequency | | 915±3 | | MHz | |
| V.S.W.R | | 1.5 | | | |
| Bandwidth | 2.0 | | | MHz | V.S.W.R<1.5 |
| Impedence | | 50 | | Ω | |
| Gain | | -5.0 | | dBi | Based on 70×70mm ground plane |
| Polarization | | RHCP | | | |
| Working Temperature | -40 | | +80 | °C | |
| Storage Temperature | -45 | | +85 | °C | |

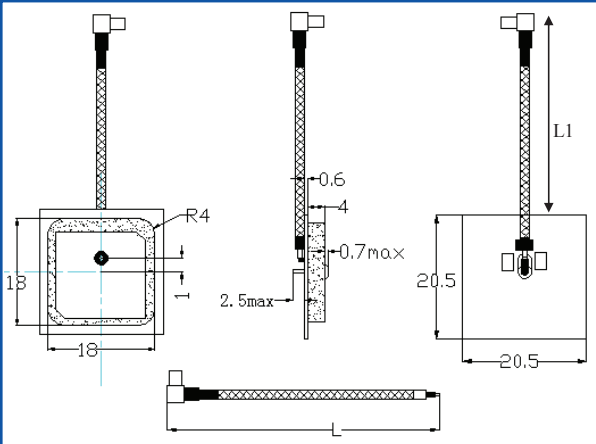
➤ **SMITH CHART:**



➤ **RADIATION PATTERN**



➤ **OUTLINE DRAWING:**



Unit: mm

Other Tolerance: ±0.2mm

| Description | Material |
|--------------|---|
| Antenna Type | Dielectric 18x18x4mm Ceramics |
| PCB | FR4, 20.5mm |
| RF Cable | RG178, Ø2.7±0.3mm , L1=100± 5mm, L=110± 5mm |
| RF Connector | MMCX-JW3 |
| Thickness | 7.8mm Max |



Visit www.abracon.com for Terms & Conditions of Sale **Revised 11.17.14**
 30332 Esperanza, Rancho Santa Margarita, California 92688
 tel 949-546-8000 | fax 949-546-8001 | www.abracon.com

RFID Reader (Passive)

ARRCN5-915.000MHz

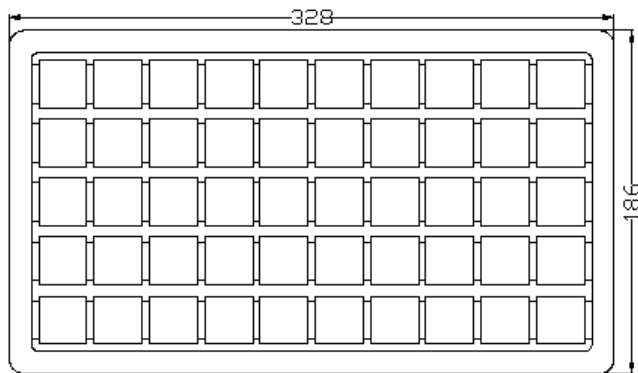
RoHS/RoHS II Compliant



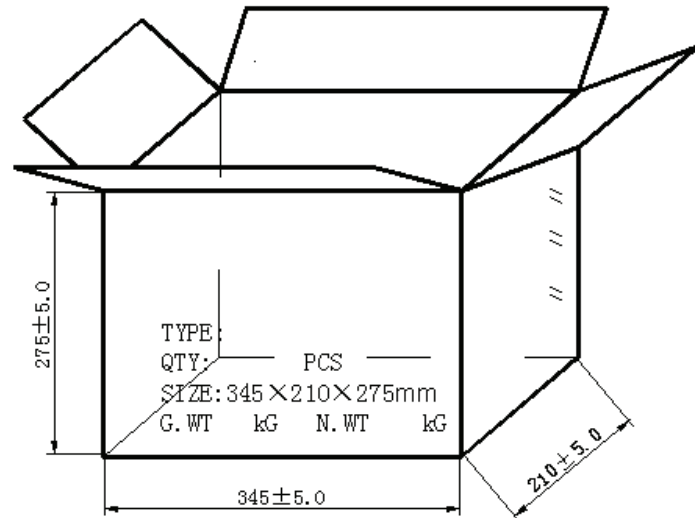
20.5 x 20.5 x 7.8mm

TAPE & REEL:

Each tray contains 50pcs of RFID Reader. There are 5 trays per vacuum bag, and 4 vacuum bags per carton (outer box). The size of each carton is 345*210*275mm.



Tray



Outer Box

| Package Type | Quantity |
|--------------|--------------------|
| Tray | 50 pcs/tray |
| Vacuum Bag | 200pcs/vacuum bag |
| Outer Box | 1000 pcs/outer box |

Unit: mm

CAUTION:

- (1) Do not apply excess mechanical stress to the component body or terminations. Do not attempt to re-form or bend the components as this will cause damage to the component.
- (2) Do not expose the component to open flame.
- (3) This specification applies to the functionality of the component as a single unit. Please insure the component is thoroughly evaluated in the application circuit.

NOTE:

- (1) The parts are manufactured in accordance with this specification. If other conditions and specifications which are required for this specification, please contact ABRACON for more information.
- (2) ABRACON will supply the parts in accordance with this specification unless we receive a written request to modify prior to an order placement.
- (3) In no case shall ABRACON be liable for any product failure from in appropriate handling or operation of the item beyond the scope of this specification.
- (4) When changing your production process, please notify ABRACON immediately.
- (5) ABRACON Corporation's products are COTS – Commercial-Off-The-Shelf products; suitable for Commercial, Industrial and, where designated, Automotive Applications. ABRACON's products are not specifically designed for Military, Aviation, Aerospace, Life-dependant Medical applications or any application requiring high reliability where component failure could result in loss of life and/or property. For applications requiring high reliability and/or presenting an extreme operating environment, written consent and authorization from ABRACON Corporation is required. Please contact ABRACON Corporation for more information.
- (6) All specifications and Marking will be subject to change without notice.

ATTENTION: Abracon Corporation's products are COTS – Commercial-Off-The-Shelf products; suitable for Commercial, Industrial and, where designated, Automotive Applications. Abracon's products are not specifically designed for Military, Aviation, Aerospace, Life-dependant Medical applications or any application requiring high reliability where component failure could result in loss of life and/or property. For applications requiring high reliability and/or presenting an extreme operating environment, written consent and authorization from Abracon Corporation is required. Please contact Abracon Corporation for more information.

ABRACON IS
ISO9001:2008
CERTIFIED



Visit www.abracon.com for Terms & Conditions of Sale **Revised 11.17.14**
30332 Esperanza, Rancho Santa Margarita, California 92688
tel 949-546-8000 | fax 949-546-8001 | www.abracon.com