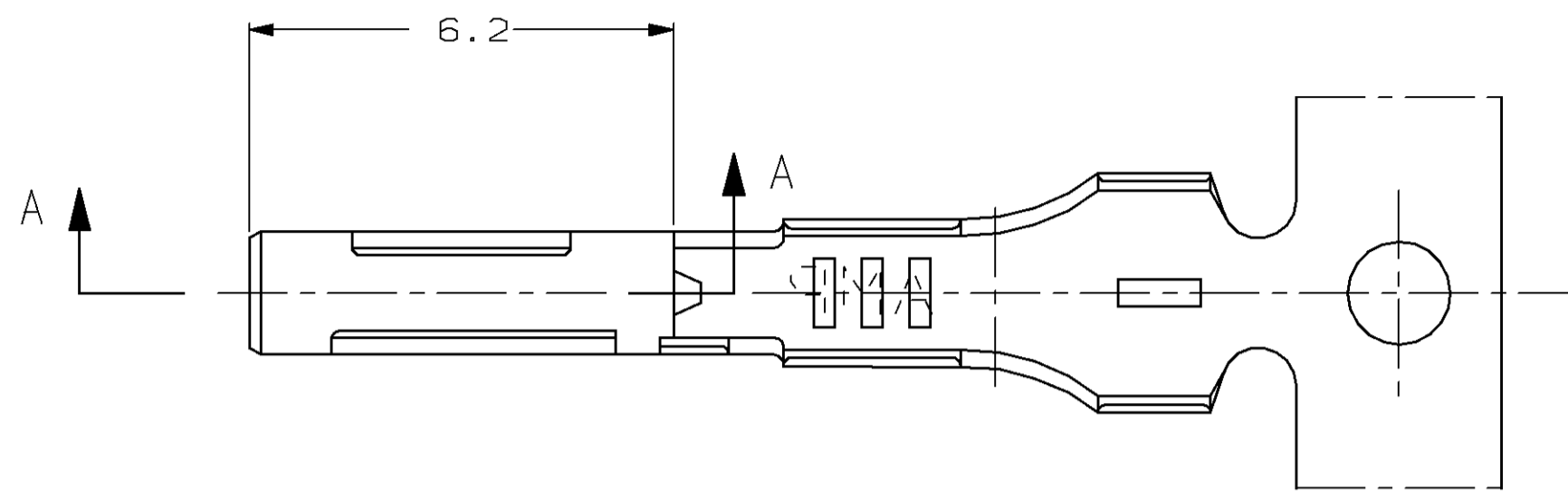
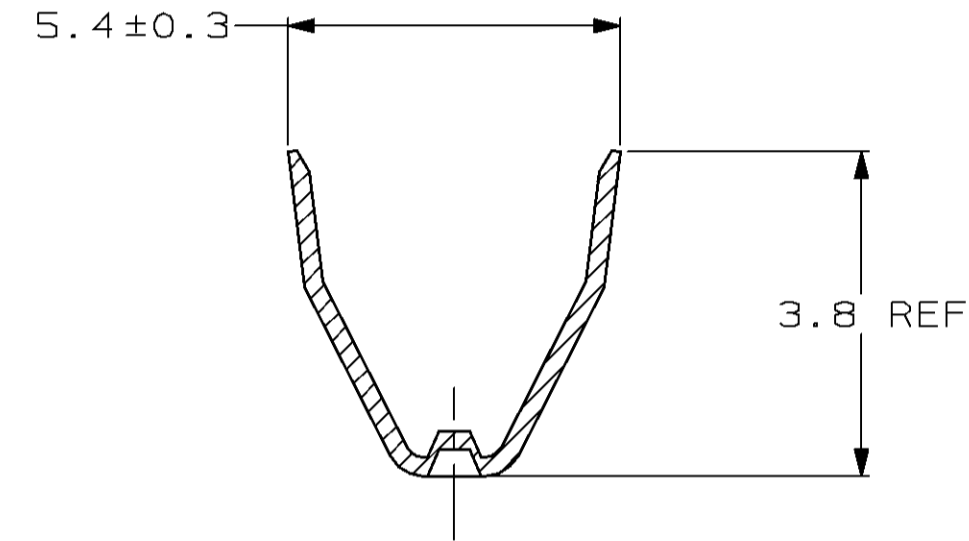
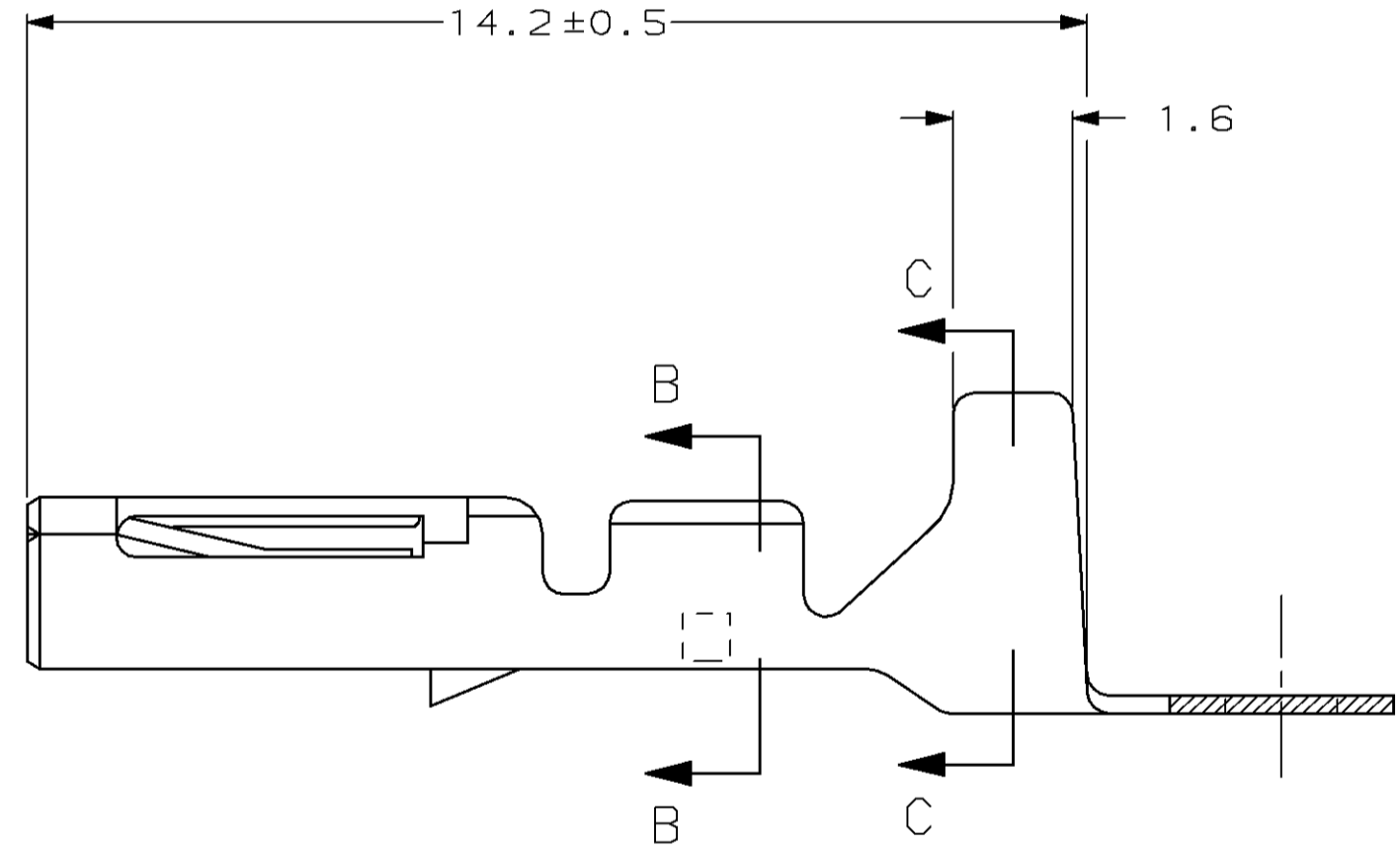
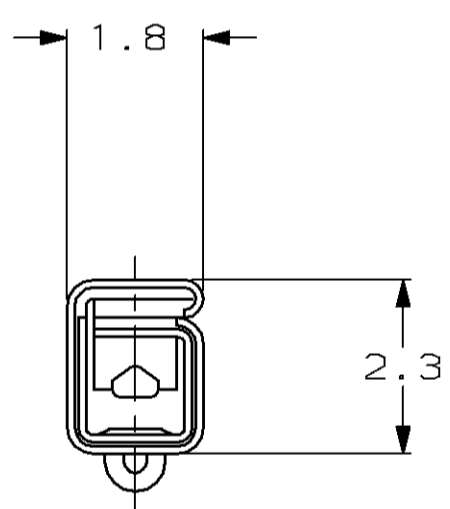


THIS DRAWING IS UNPUBLISHED. RELEASED FOR PUBLICATION
 © COPYRIGHT 19 BY AMP INCORPORATED. ALL RIGHTS RESERVED.

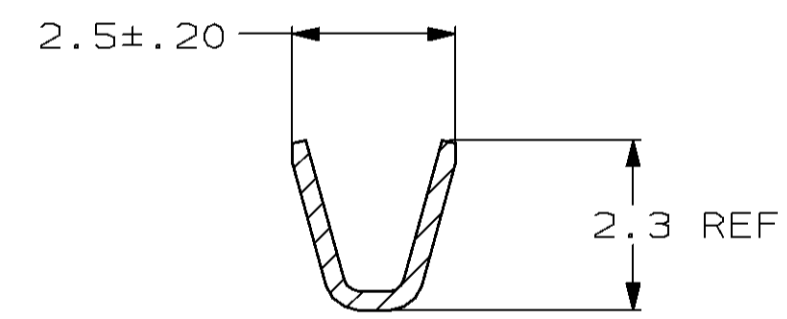
Loc		DIST		REVISIONS			
P	LTR	DESCRIPTION		DATE	DWN	APVD	
FX	55	B		EC OK80-0008-97	2-18-97	PY	SK



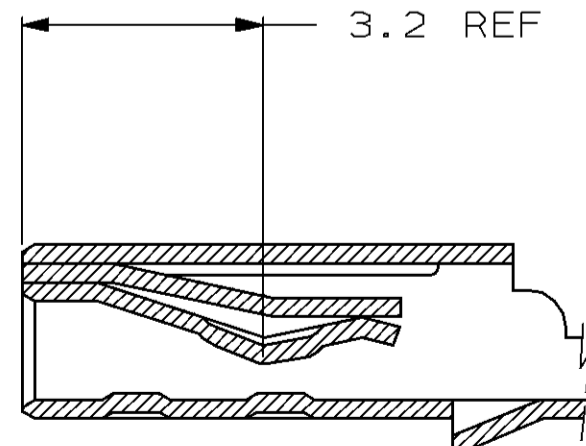
1. WIRE RANGE: 18 AWG, THIN WALL INSULATION



SECTION C-C



SECTION B-B



SECTION A-A

776181

776181-1
PART NUMBER

THIS DRAWING IS A CONTROLLED DOCUMENT.		DWN P. YEAGER	12-18-96	AMP Incorporated Harrisburg, PA 17105-3608			
DIMENSIONS: mm		CHK S. KROEGER	12-18-96				
		APVD S. KROEGER	12-18-96				
TOLERANCES UNLESS OTHERWISE SPECIFIED: 0 PLC ±- 1 PLC ±- 2 PLC ±0.15 3 PLC ±- 4 PLC ±- ANGLES ±- FINISH PRE-TIN		NAME					
MATERIAL PHOS BRZ		PRODUCT SPEC		.040 SERIES RECEPTACLE CONTACT			
		APPLICATION SPEC					
		WEIGHT	-	SIZE	CAGE CODE	DRAWING NO	RESTRICTED TO
		CUSTOMER DRAWING		A2	00779	C=776181	-
		SCALE	10:1	SHEET	1 OF 1	REV	B