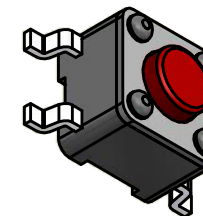
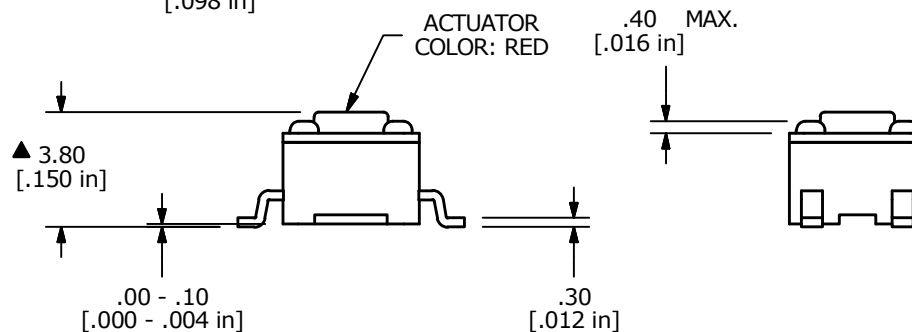
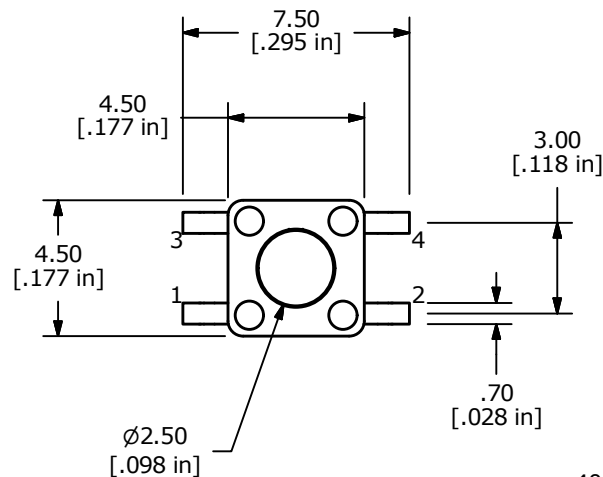


▲ CIRCUIT: SPST



- NOTES:
1. ALL DIMENSIONS IN MM
 2. GENERAL TOLERANCE: X.X=±0.4
X.XX=±0.25
 3. TERM. NOS. FOR REFERENCE ONLY.
 4. CONTACT MATERIAL: SILVER
 5. RATING: 12VDC, 50mA
 - ▲ 6. OPERATING FORCE: 260 ± 50 gms
 7. TRAVEL: 0.20 +/- 0.10 mm
 8. CONTACT RESISTANCE: 100 MILLI OHMS MAX. (INITIAL)
 9. MECHANICAL/ELECTRICAL LIFE 200,000 CYCLES MIN.
 10. INSULATION RESISTANCE: 100M OHMS MIN @ 100VDC
 11. DIELECTRIC STRENGTH: 250VAC
 12. OPERATING TEMPERATURE: -20°C TO +70°C
 13. STORAGE TEMPERATURE: -30°C TO +80°C
 14. ▲ DENOTES CRITICAL PARAMETER
 15. 2011/65/EU (ROHS) COMPLIANT
 16. PACKAGING: TAPE AND REEL, 2,000 PIECES PER REEL.



C	22653	ADDED PIN NUMBER TO PAD LAYOUT	12/28/16	MJR
B	22265	ADDED RED ACTUATOR CALLOUT	4/12/16	MJR
REV	PCR NO	DESCRIPTION	DATE	BY

TITLE TL3305AF260QG				
SCALE	DATE	DR	DWG	REV
4:1	10/9/2015	rc	P010471	C

THE INFORMATION CONTAINED IN THIS DOCUMENT IS PROPRIETARY TO E-SWITCH AND IS NOT TO BE COPIED OR TRANSFERRED