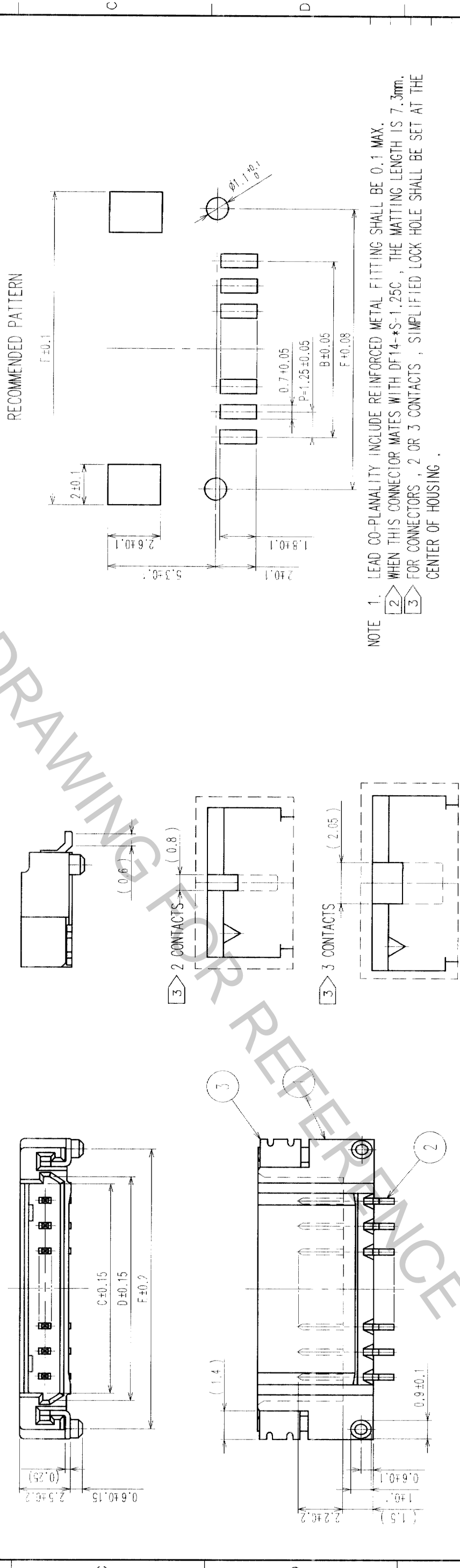
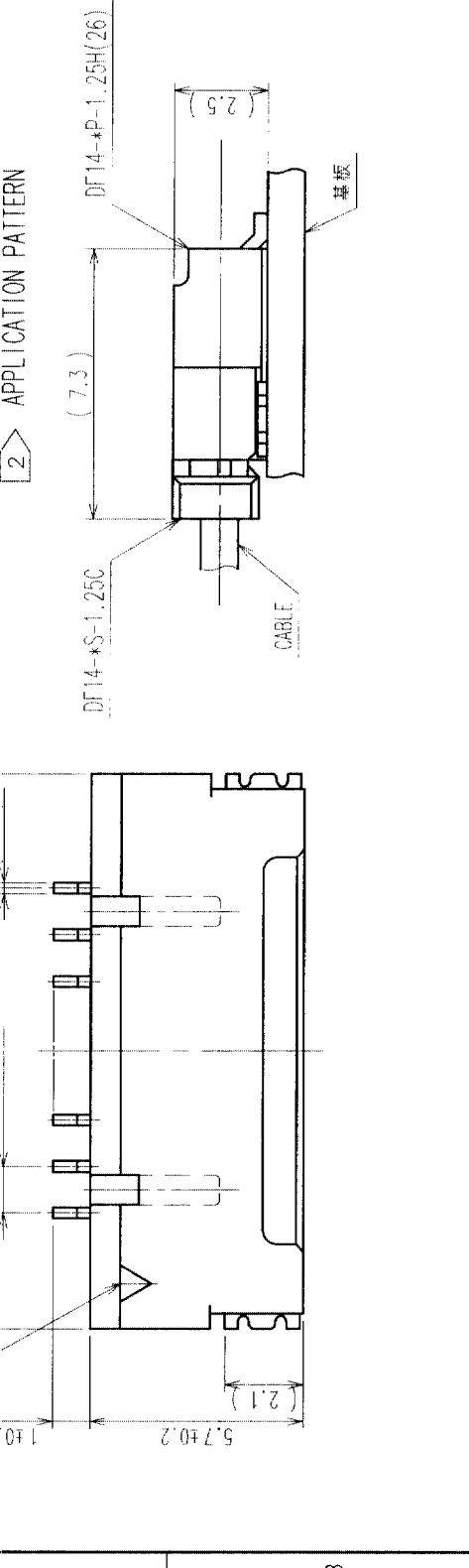


5	6	7	8
COUNT	DESCRIPTION OF REVISIONS	BY	CHKD

1	2	3	4	5	6	7	8
PART NO.	HRS NO.	CONTACTS	A	B	C	D	E
DF14-2P-1.25H(26)	CL538-0021-4-26	2	7.45	1.25	2.95	3.65	6.45
DF14-3P-1.25H(26)	CL538-0022-7-26	3	8.70	2.50	4.20	4.90	7.70
DF14-4P-1.25H(26)	CL538-0023-0-26	4	9.95	3.75	5.45	6.15	8.95
DF14-5P-1.25H(26)	CL538-0024-2-26	5	11.20	5.00	6.70	7.40	10.20
DF14-6P-1.25H(26)	CL538-0025-5-26	6	12.45	6.25	7.95	8.65	11.45
DF14-7P-1.25H(26)	CL538-0026-8-26	7	13.70	7.50	9.20	9.90	12.70
DF14-8P-1.25H(26)	CL538-0027-0-26	8	14.95	8.75	10.45	11.15	13.95
DF14-9P-1.25H(26)	CL538-0028-3-26	9	16.20	10.00	11.70	12.40	15.20
DF14-10P-1.25H(26)	CL538-0029-6-26	10	17.45	11.25	12.95	13.65	16.45
DF14-15P-1.25H(26)	CL538-0084-4-26	15	23.70	17.50	19.20	19.90	22.70
DF14-20P-1.25H(26)	CL538-0089-8-26	20	29.95	23.75	25.45	26.15	28.95
DF14-25P-1.25H(26)	CL538-0094-8-26	25	36.20	30.00	31.70	32.40	35.20
DF14-30P-1.25H(26)	CL538-0020-1-26	30	42.45	36.25	37.95	38.65	41.45

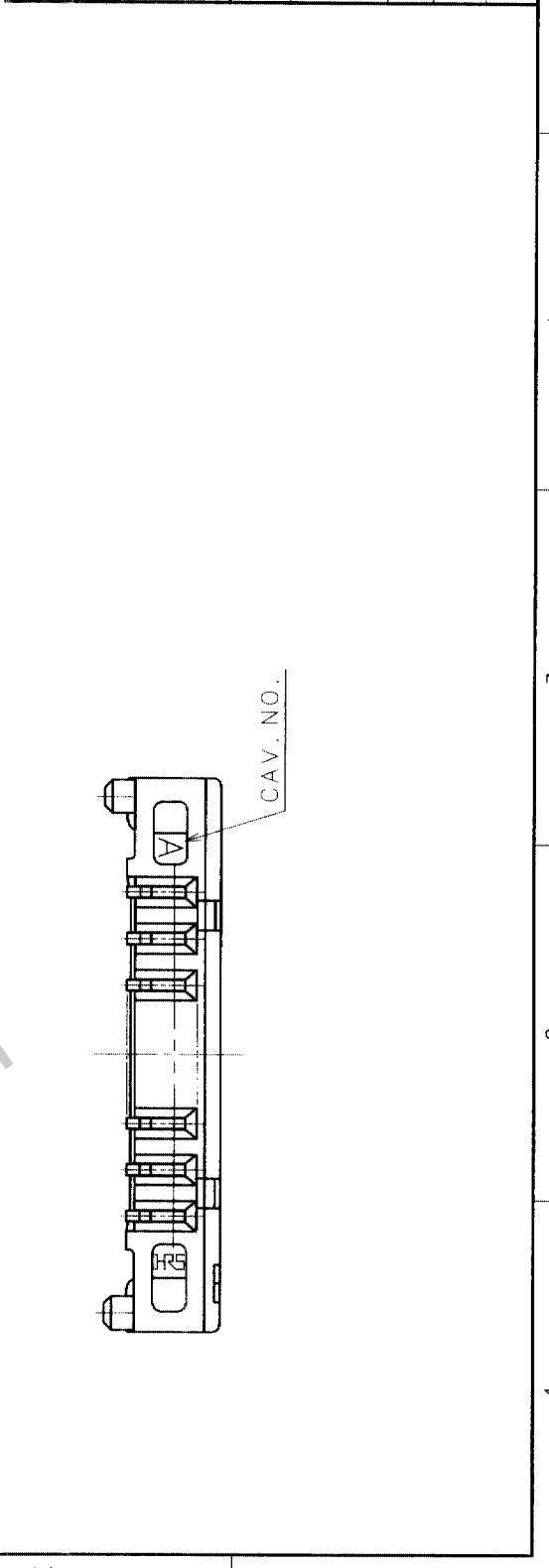


NOTE 1. LEAD CO-PLANALITY INCLUDE REINFORCED METAL FITTING SHALL BE 0.1 MAX.
 2. WHEN THIS CONNECTOR MATES WITH DF14-S-1.25C, THE MATTING LENGTH IS 7.3mm.
 3. FOR CONNECTORS, 2 OR 3 CONTACTS, SIMPLIFIED LOCK HOLE SHALL BE SET AT THE CENTER OF HOUSING.

3	PHOSPHOR BRONZE	TIN-COPPER PLATED 1μm min UNDER PLATING:NICKEL PLATED 0.5μm min
2	BRASS	TIN-COPPER PLATED 1μm min UNDER PLATING:NICKEL PLATED 0.5μm min
1	POLYAMIDE	BEIGE,UL94V-0

NO.	MATERIAL	FINISH, REMARKS	NO.	MATERIAL	FINISH, REMARKS
5	POLYESTER	CLEAR(COVER TAPE)	5	POLYESTER	CLEAR(COVER TAPE)
4	A-PET	CLEAR (EMBOSSED CARRIER TAPE)	4	A-PET	CLEAR (EMBOSSED CARRIER TAPE)

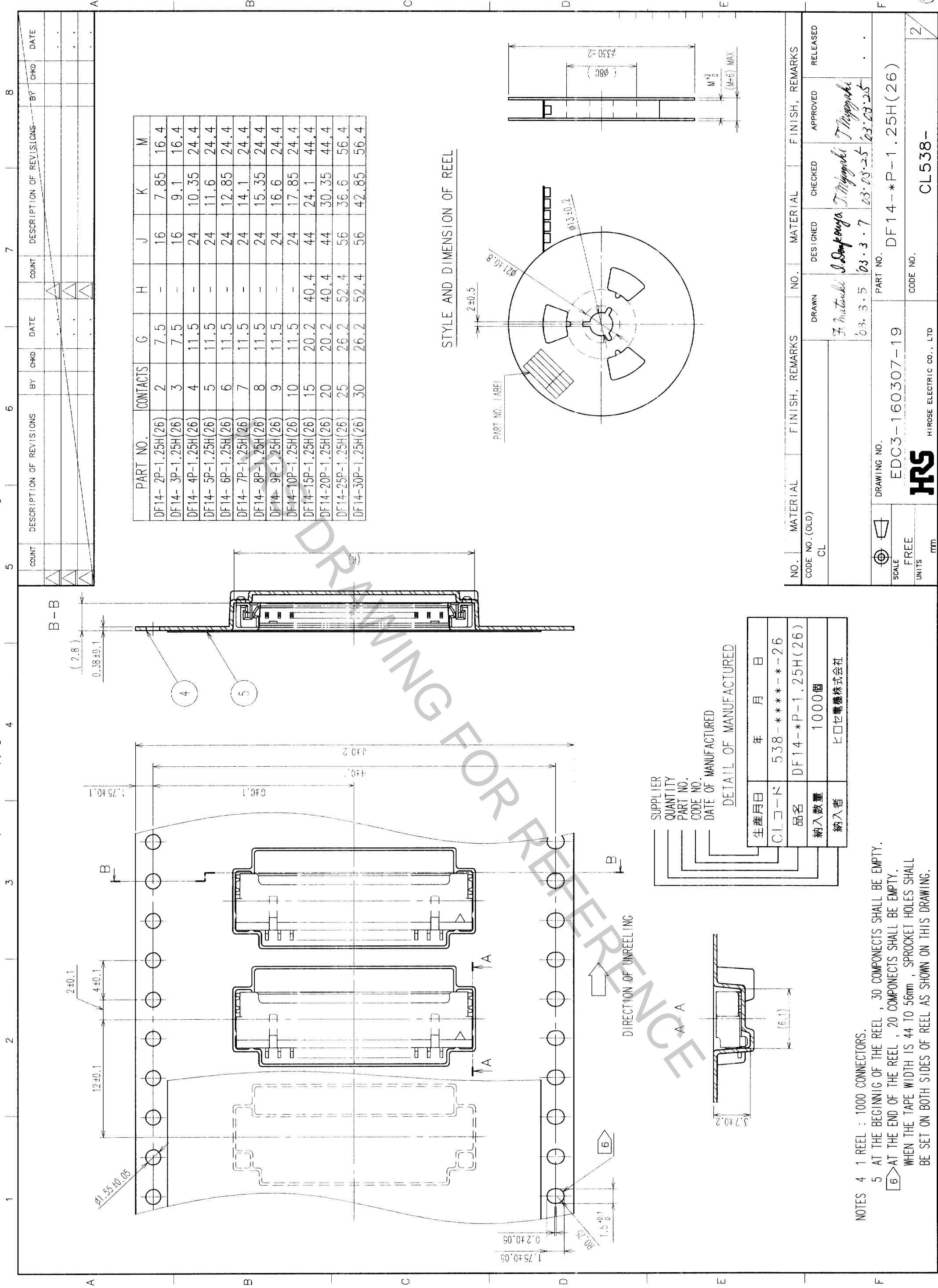
CODE NO. (OLD)	CL	DRAWN	DESIGNED	CHECKED	APPROVED	RELEASED
		F. Inoue	S. Sankawa	T. Miyaguchi	T. Miyaguchi	
		03.3.5	03.3.7	03.03.25	03.03.25	



DRAWING NO.	PART NO.
EDC3-160307-19	DF14-*P-1.25H(26)

SCALE	CODE NO.
5 : 1	CL538-

HIROSE ELECTRIC CO., LTD
 5 : 1
 UNITS
 1/2



NOTES

- 1 REEL : 1000 CONNECTORS.
- 5 AT THE BEGINNING OF THE REEL , 30 COMPONENTS SHALL BE EMPTY.
- 6 AT THE END OF THE REEL , 20 COMPONENTS SHALL BE EMPTY.

WHEN THE TAPE WIDTH IS 44 TO 56mm , SPROCKET HOLES SHALL BE SET ON BOTH SIDES OF REEL AS SHOWN ON THIS DRAWING.

SUPPLIER
QUANTITY
PART NO.
CODE NO.
DATE OF MANUFACTURE

DETAIL OF MANUFACTURE

生産月日	年	月	日
CLコード	538	-	-
品名	DF14-*P-1.25H(26)		
納入数量	1000個		
納入者	ヒロセ電機株式会社		

NO.	MATERIAL	FINISH, REMARKS	NO.	MATERIAL	FINISH, REMARKS
CODE NO. (OLD) CL			DRAWN F. Matsuda	DESIGNED S. Sanyama	CHECKED T. Miyagaki
			DATE 03.3.5	DATE 03.3.7	DATE 03.03.25
DRAWING NO. EDC3-160307-19	PART NO. DF14-*P-1.25H(26)				
SCALE FREE	UNITS mm	CODE NO. CL538-			