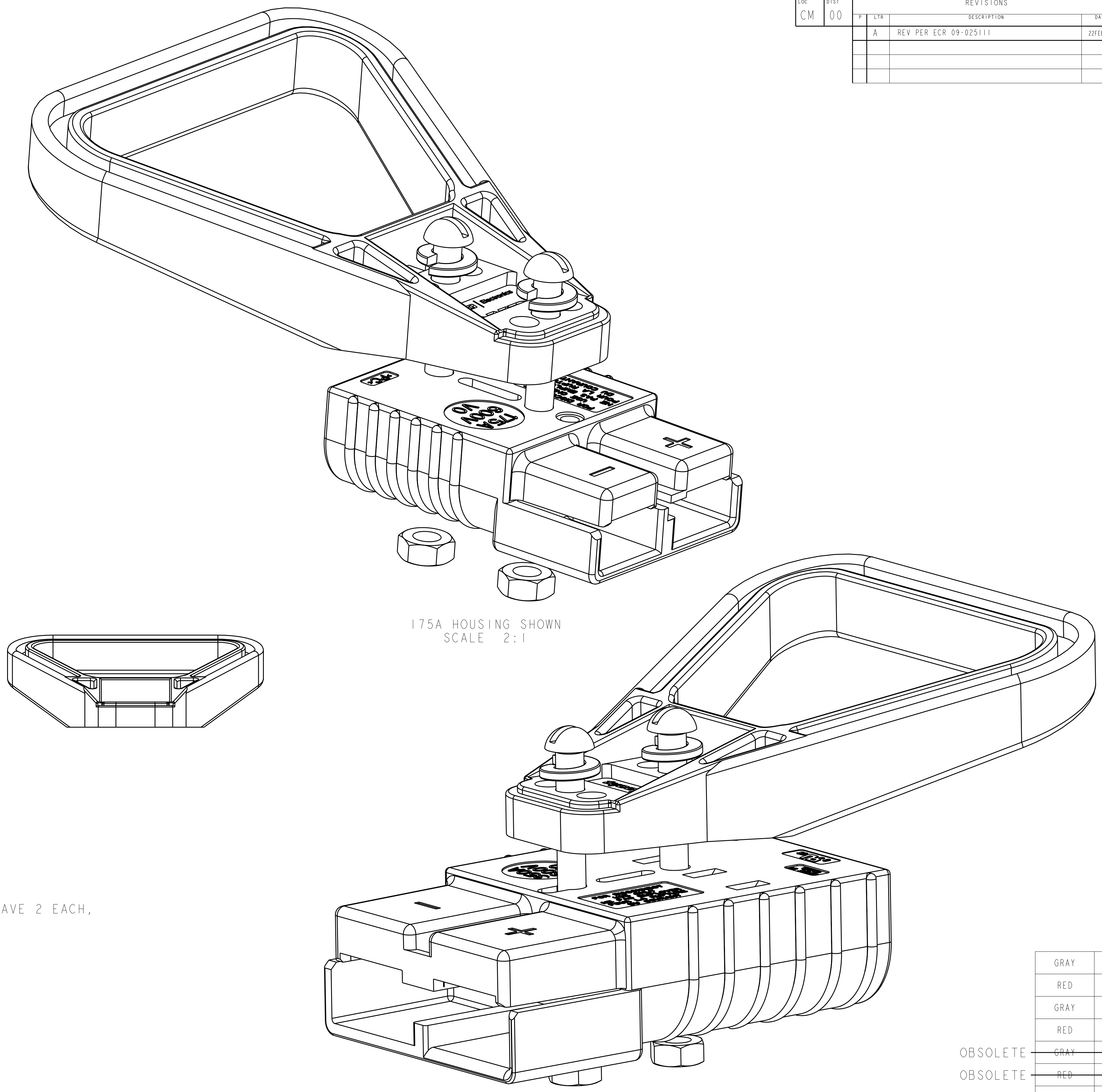
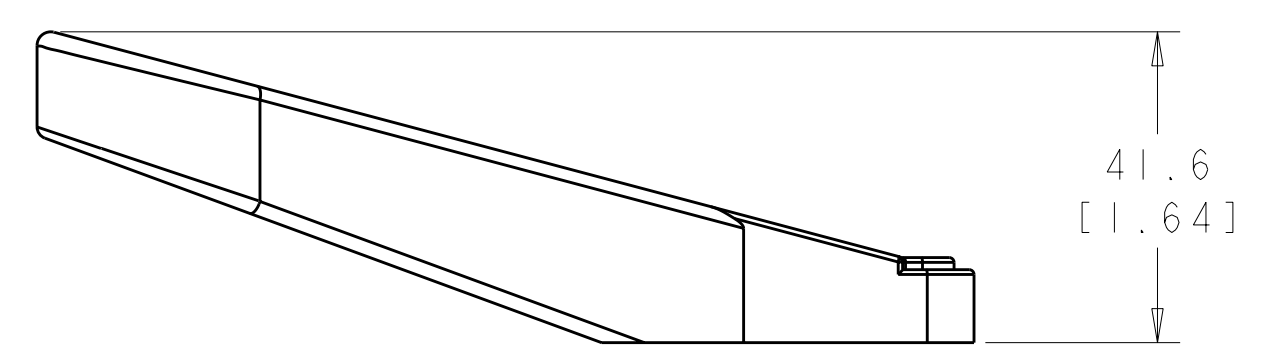
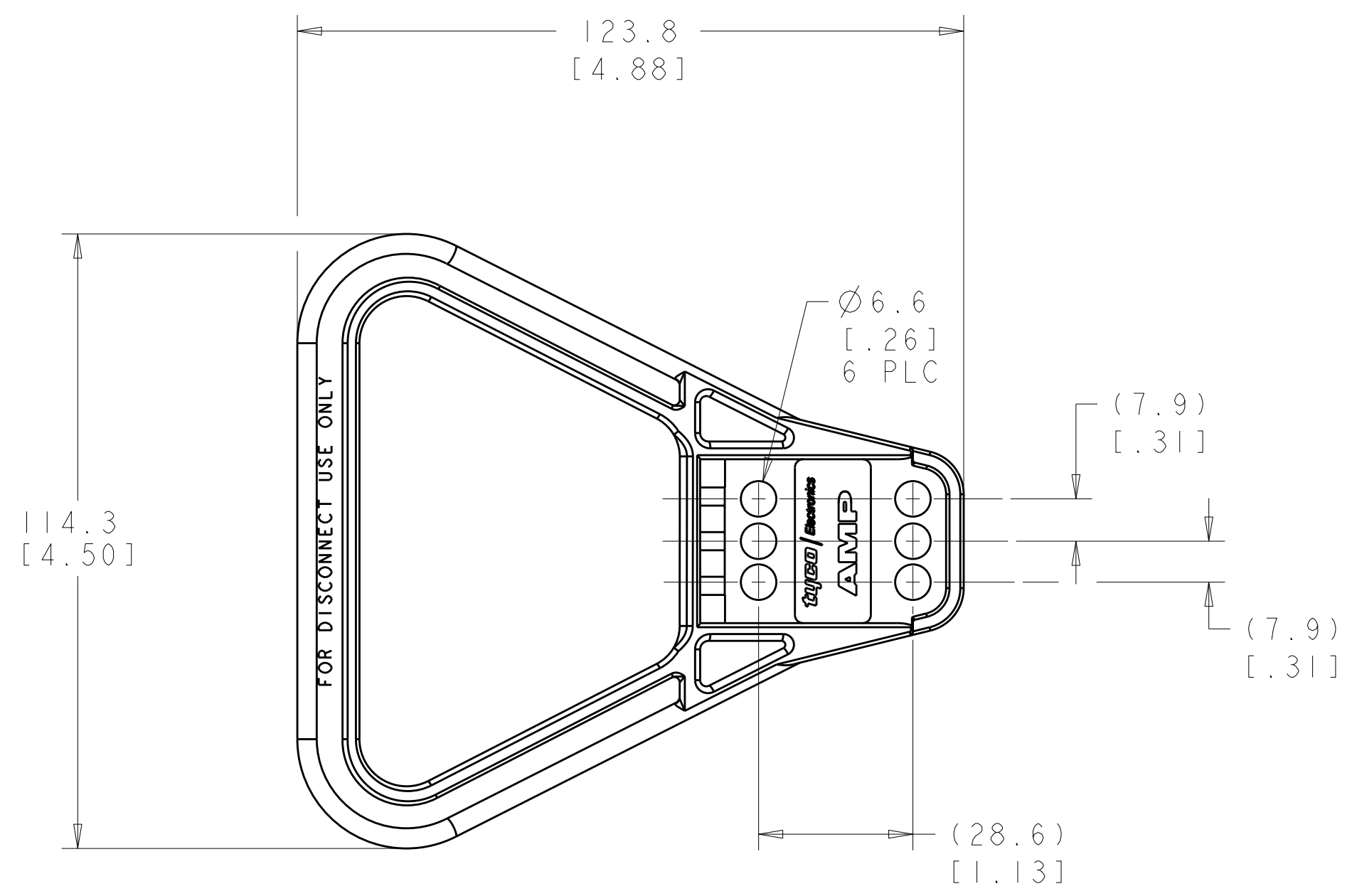


LOC		DIST		REVISIONS			
CM	00	P	LTN	DESCRIPTION	DATE	DWN	APVD
		A		REV PER ECR 09-025111	22FEB10	JR	SM



175A HOUSING SHOWN  
SCALE 2:1

350A HOUSING SHOWN  
SCALE 2:1

1. A HARDWARE KIT COMPRISED OF SCREWS, LOCK WASHERS, AND NUTS IS INCLUDED WITH THE HANDLE. 647737-1, 647737-2, 2-647737-1, 2-647737-2 HAVE 2 EACH, 1-647737-1, 1-647737-2, 3-647737-1, 3-647747-2 HAVE 4 EACH.
2. HANDLE MATERIAL IS UL94V-0 POLYCARBONATE.

GRAY	3-647737-2
RED	3-647737-1
GRAY	2-647737-2
RED	2-647737-1
OBSOLETE	GRAY 1-647737-2
OBSOLETE	RED 1-647737-1
OBSOLETE	GRAY 647737-2
OBSOLETE	RED 647737-1
COLOR	PART NO



<small>THIS DRAWING IS UNPUBLISHED. RELEASED FOR PUBLICATION. ALL RIGHTS RESERVED. THIS IS SUBJECT TO CHANGE WITHOUT NOTICE AND WITHOUT OBLIGATION. SHOULD BE CONTACTED FOR THE LATEST REVISION.</small>		DWN: R. WHITAKER 18APR2002 CHK: J. ELLIS 18APR2002 APVD: J. ELLIS 18APR2002	<b>tyco</b> <b>Electronics</b> Tyco Electronics Harrisburg, PA 17105-3608
DIMENSIONS: mm [ INCHES ]	TOLERANCES UNLESS OTHERWISE SPECIFIED: 9 PLC ± 1 PLC ±.02 (.51) 5 PLC ± 4 PLC ± ANGLES ± FINISH	NAME: HANDLE KIT, POWER SERIES 175/350 PRODUCT SPEC: APPLICATION SPEC: WEIGHT: CUSTOMER DRAWING	SCALE: 1:1 SHEET: 1 OF 1 REV: A