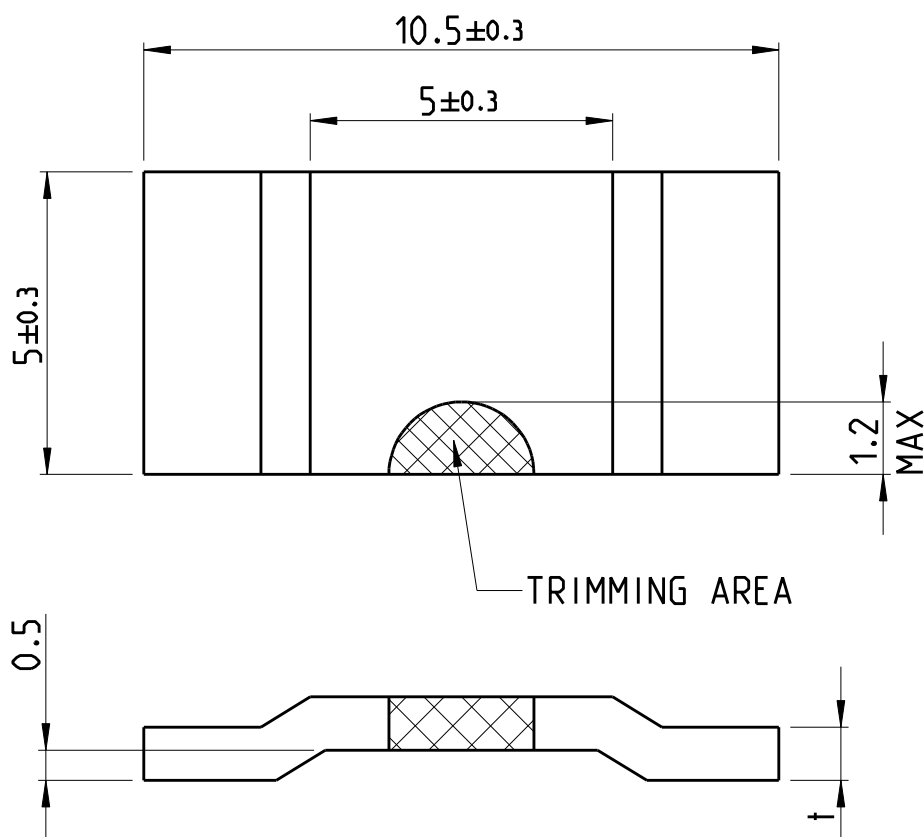
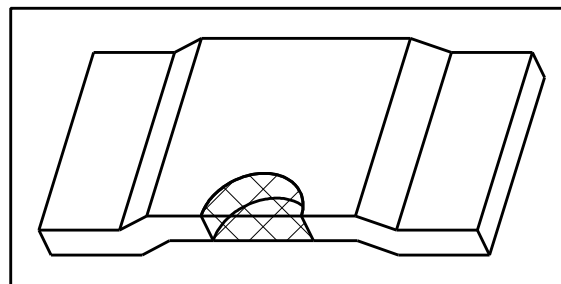


LOC	DIST	REVISIONS					
A1	-	P	LTR	DESCRIPTION	DATE	DWN	APVD
		A		NEW DRAWING	27FEB2012	DMS	ST.P



NOTE:  
FOR FURTHER INFORMATION PLEASE SEE TLRs SERIES DATA SHEET

VALUE	THICKNESS (t) IN MM	WEIGHT (G)
0.5mΩ	0.88±0.05	0.420
1mΩ	0.43±0.05	0.220
2mΩ	0.64±0.05	0.310
3mΩ	0.43±0.05	0.210
4mΩ	0.32±0.05	0.160



2011

RELEASED FOR PUBLICATION

ALL RIGHTS RESERVED.

THIS DRAWING IS UNPUBLISHED.

© COPYRIGHT 2011

DIMENSIONS: <b>mm</b>	DWN <b>DARSHAN MS</b>	<b>27FEB2012</b>	MATERIAL	-	FINISH	-
	CHK <b>ALLAN P</b>	<b>27FEB2012</b>				
TOLERANCES UNLESS OTHERWISE SPECIFIED:	APVD <b>STEPHEN.P</b>	<b>27FEB2012</b>				
0 PLC ±	PRODUCT SPEC	-	NAME <b>CHIP SHUT RESISTOR TLRS 1050 SERIES</b>			
1 PLC ±	-	-	SIZE	CAGE CODE	DRAWING NO	RESTRICTED TO
2 PLC ±	APPLICATION SPEC	-	A 4	00779	C-2176076	-
3 PLC ±	-	-	SCALE <b>6:1</b> SHEET <b>1</b> OF <b>1</b> REV <b>A</b>			
4 PLC ±	WEIGHT	-	CUSTOMER DRAWING			
ANGLES ±°						