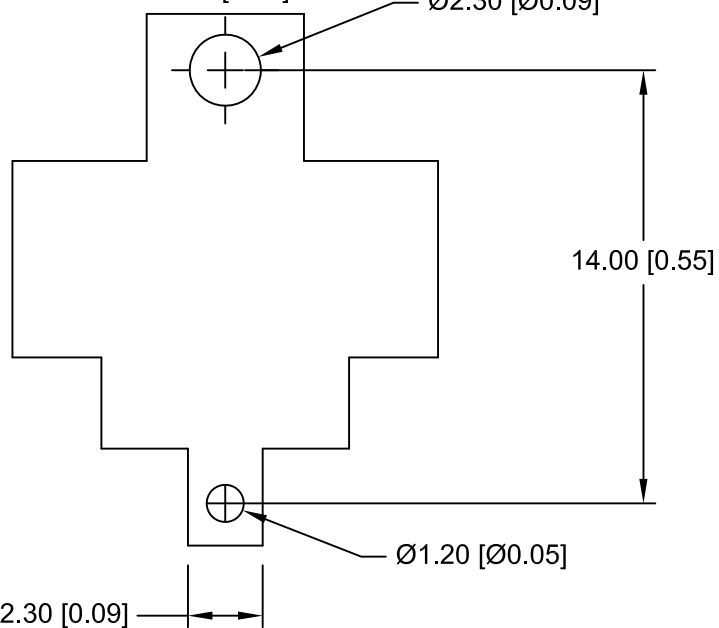
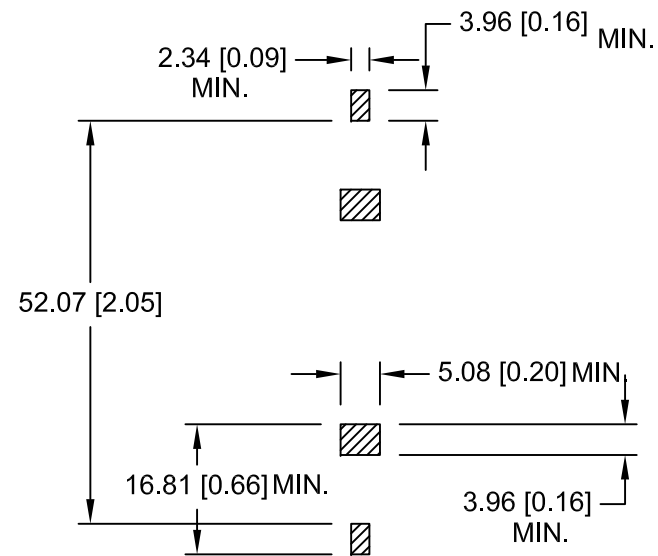
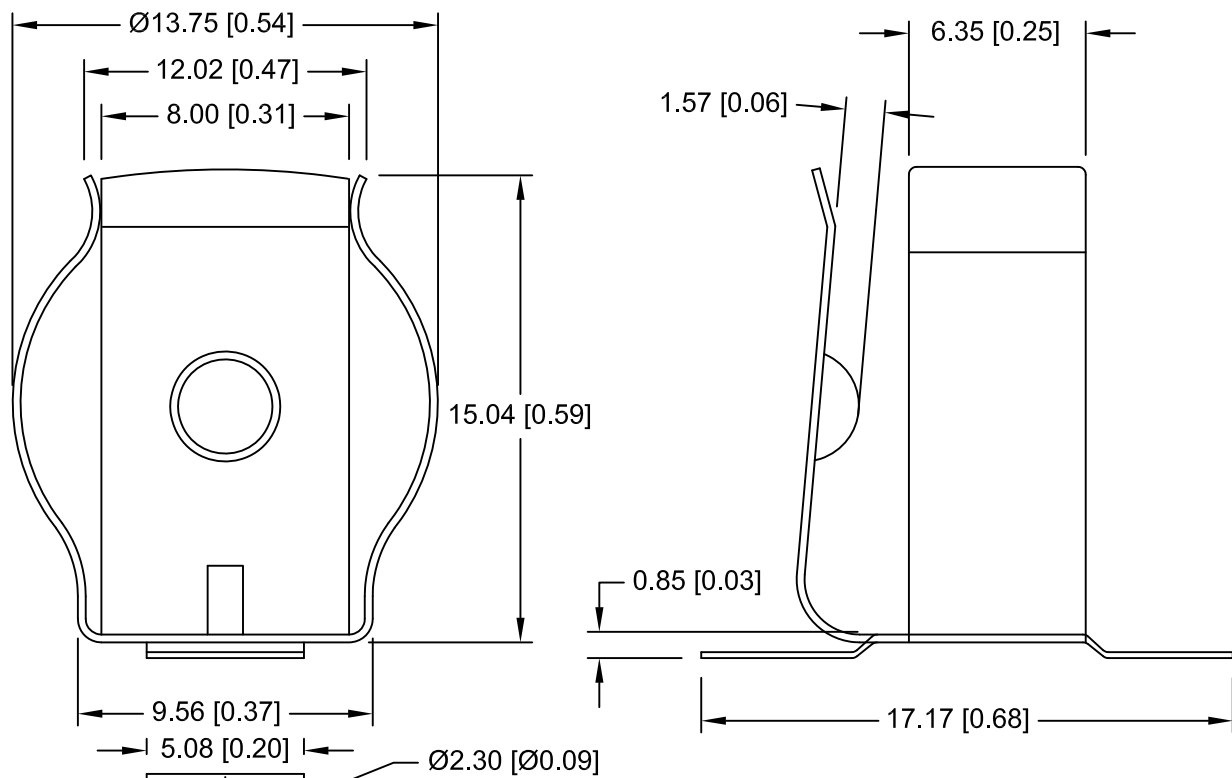



| Date | SYM | REVISION RECORD | AUTH | DR. | CK. |
|----------|-----|--------------------|------|------|-----|
| 01/20/12 | A | UPDATED PCB LAYOUT | T.B. | B.S. | |
| | | | | | |
| | | | | | |
| | | | | | |



NOTES:

- MATERIAL:
0.012" SPRING STEEL, NICKEL PLATED

PCB LAYOUT

| | | | |
|--------------------------------|---|-------------------------|---------------|
| Tolerance (Except as noted) |  Memory Protection Devices, Inc 200 Broad Hollow Road, Farmingdale, New York 11735 | | |
| decimal $\pm .5$ (.020) | | Scale | Drawn By B.S. |
| Fractional $\pm .8$ (.030) | Title SURFACE MOUNT CLIP FOR AA BATTERIES | | |
| Angular $\pm 3^\circ$ | Date 1/20/12 | Drawing Number BK-53 | |
| | | Approved By T.B. | |