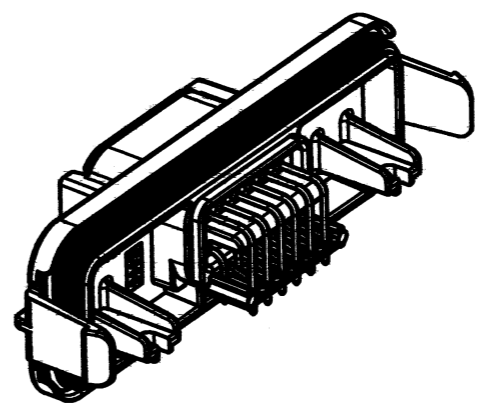
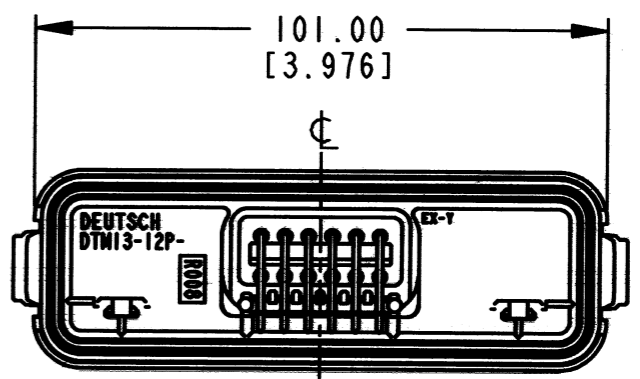
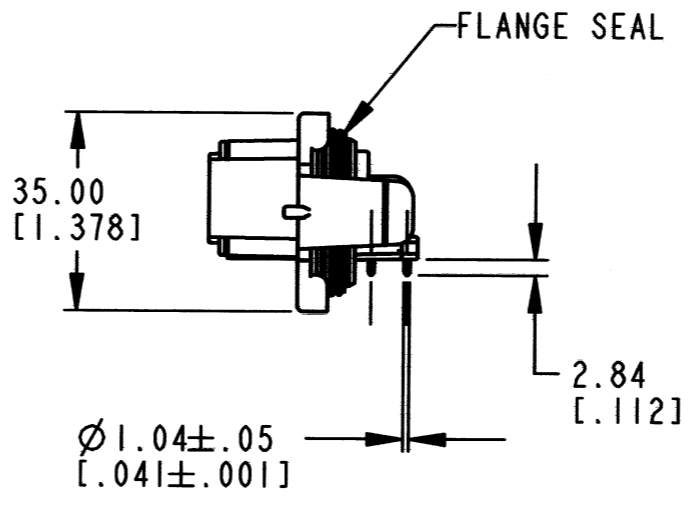
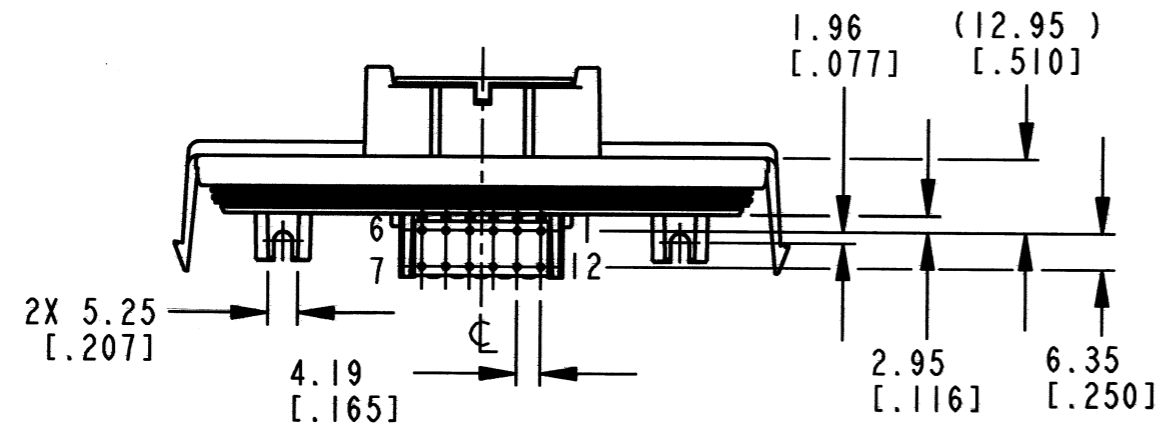
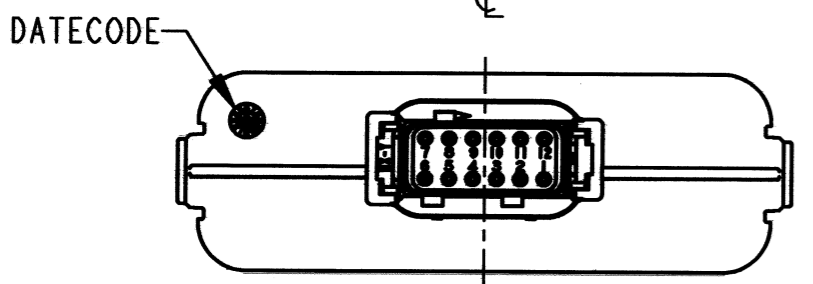
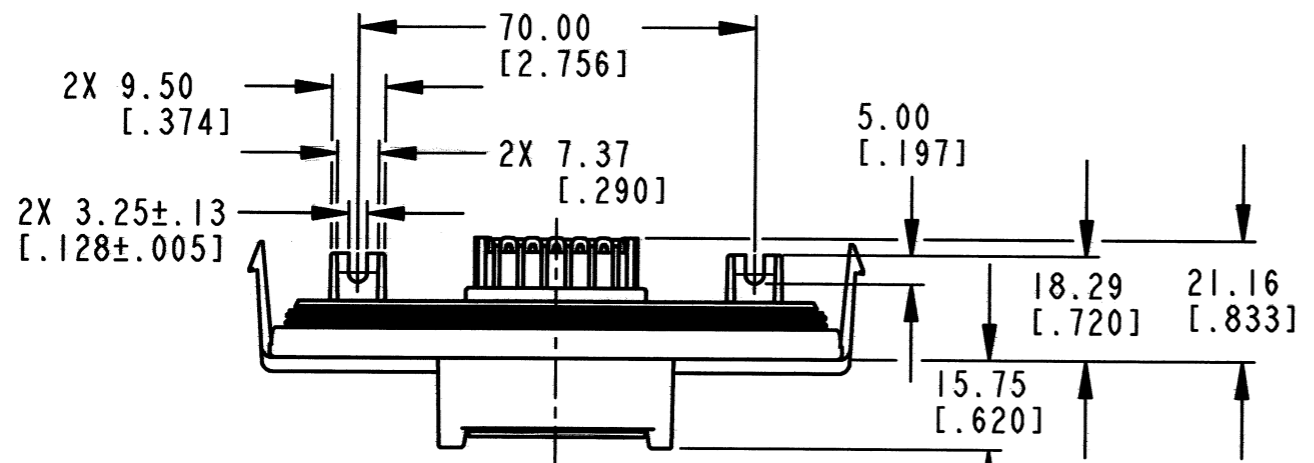


REV
C **DTM13-12P*-R008**

REVISIONS			
SYM	DESCRIPTION	DATE	APPROVED
NC	NEW RELEASE PER E.O. P17244	4-26-01	R.D.R.
A	REVISED PER E.O. P18708	7-29-05	R.D.R.
B	REVISED PER E.O. P19335	8/3/06	RDR
C	REVISED PER E.O. P20972	11-7-11	RDR



7. SEE SHEET 2 FOR OTHER KEY ARRANGEMENTS.
6. THIS RECEPTACLE IS USED WITH EEC-325X4(A OR B) ENCLOSURE. SEE ENVELOPE DRAWING EEC-325X4A/EEC-325X4B FOR ENCLOSURE INFORMATION.
5. THIS RECEPTACLE MATES WITH DTM06-12S*-**** PLUG. (* = A,B,C,D KEYS; **** = ALL MODIFICATIONS).
4. MATERIAL - PLASTIC (BLACK); SEALS: RUBBER.
3. CONTACT PLATING - MATING SIDE: NICKEL; PCB SIDE: TIN.
2. DIMENSION TOLERANCE: ±.64 [.025].
1. DIMENSIONS ARE IN MILLIMETERS [IN].

NOTES: UNLESS OTHERWISE SPECIFIED

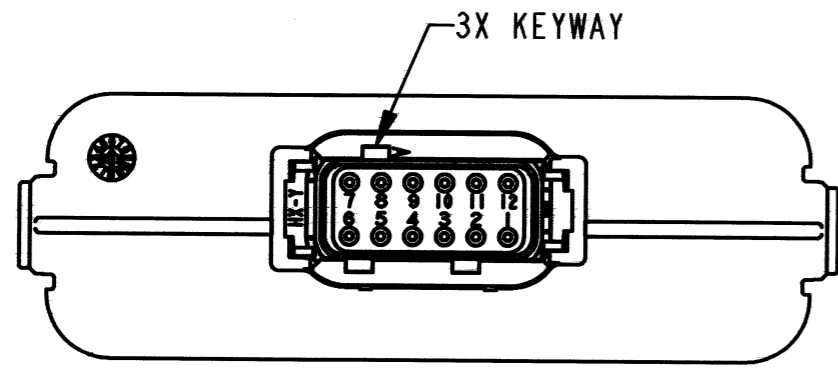
SIGNATURE & DATE	
DR	J. APOSTOL 19 APR 2001
CHK	[Signature] 11/07/2011
PE	[Signature] 7/26/11
APPD	[Signature]
SCALE	NONE WT

RECEPTACLE
12 #20 SIZE CONTACT
KEY ARRANGEMENTS A,B,C,D
-R008 MOD
DTM SERIES
ENVELOPE

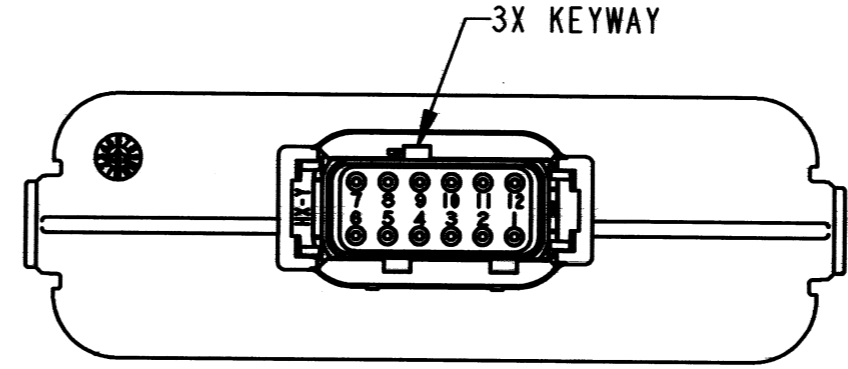
EP	MATL. CODE
3850 INDUSTRIAL AVE. HEMET, CA 92545	
B	DTM13-12P*-R008
DWG SIZE	CODE 11139 SHEET 1 OF 2



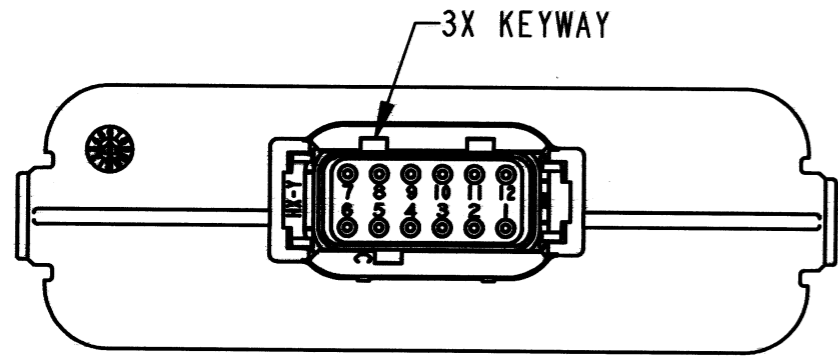
REV C	DTM13-12P*-R008	REVISIONS			
		SYM	DESCRIPTION	DATE	APPROVED
		C	SEE SHEET ONE	11-7-11	RDR



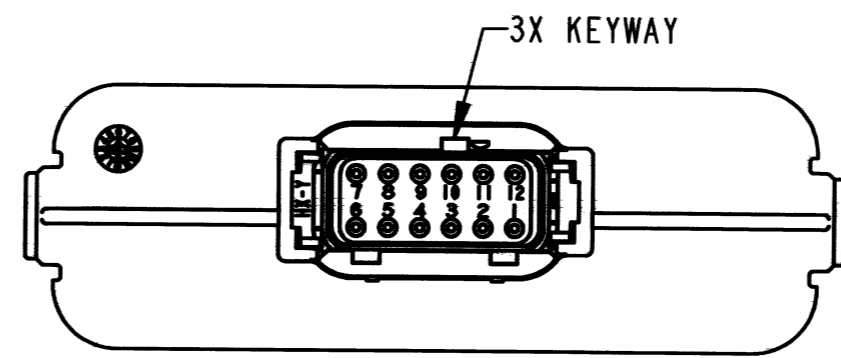
DTM13-12PA-R008
KEY -A-
SLEEVE COLOR: GREY



DTM13-12PB-R008
KEY -B-
SLEEVE COLOR: BLACK



DTM13-12PC-R008
KEY -C-
SLEEVE COLOR: GREEN



DTM13-12PD-R008
KEY -D-
SLEEVE COLOR: BROWN

NOTES:

SIGNATURE & DATE		RECEPTACLE 12 #20 SIZE CONTACT KEY ARRANGEMENTS A,B,C,D -R008 MOD DTM SERIES ENVELOPE	EP	MATL. CODE
DR	J. APOSTOL 19APR2001		3850 INDUSTRIAL AVE. HEMET, CA 92545 DEUTSCH INDUSTRIAL	
CHK	<i>[Signature]</i> 11/07/2011		B DTM13-12P *-R008	
PE	<i>[Signature]</i> 9/26/11		DWG SIZE	CODE 11139
APPD	<i>[Signature]</i> 11/7/11		SHEET 2 OF 2	
SCALE	NONE	WT		

