

NOTES:

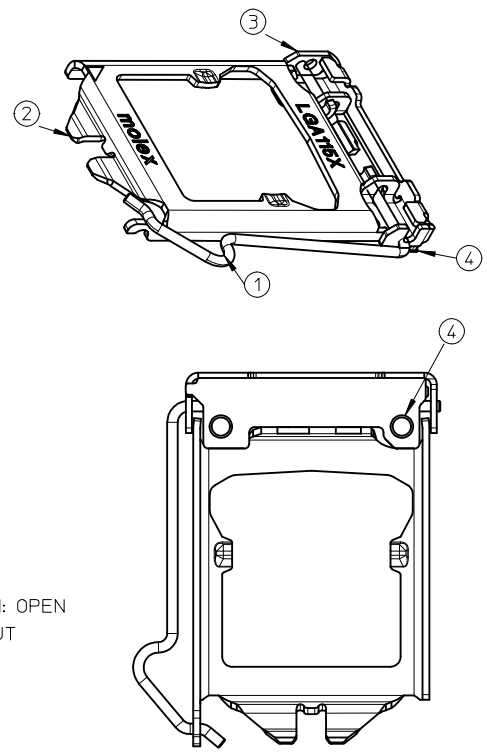
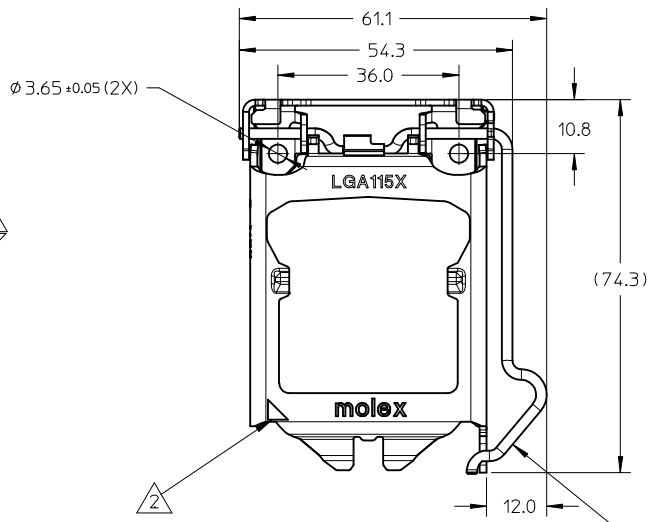
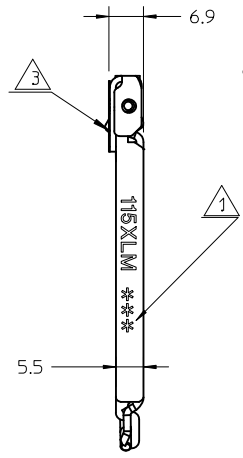
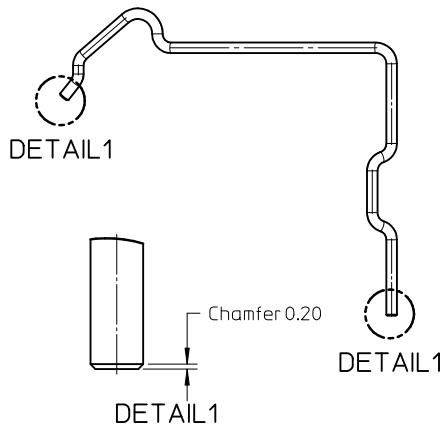
- 1. INK PRINTED DATE CODE: * * *
 * WORKING DAY
 * WORKING MONTH
 * WORKING YEAR
- 2. AREA FILLED WITH BLACK INK.
- 3. INSULATOR OVERHANG ILM FRAME.
- 4. PARTS ARE COMPLIANT TO RoHS DIRECTIVE 2002/95/EC AND ELV 2000/53/EC.
- 5. PARTS ARE HALOGEN FREE.

BILL OF MATERIAL(47596-8755)				
PART NO.	ITEM NO	Q'TY	DESCRIPTION	MATERIAL
475968855		1	ILM TOP ASSY WITHOUT SCREW	
	①	1	ILM LEVER	STAINLESS STEEL
	②	1	ILM LOAD PLATE	SUS430
	③	1	ILM FRAME	STEEL WITH NICKEL PLATING
	④	1	ILM FRAME INSULATOR	POLYCARBONATE FILM
475973003	⑤	1	ILM PNP COVER	PC/ABS

47596-8755	WITH ILM PNP COVER
PART NO.	DESCRIPTION

ENTER DESCRIPTION EC NO: SH2013-0064 DRWN: YXZHENG 2012/05/29 CHKD: APPR: AYIN 2013/02/04	QUALITY SYMBOLS	GENERAL TOLERANCES (UNLESS SPECIFIED)	DIMENSION STYLE	SCALE	DESIGN UNITS	THIRD ANGLE PROJECTION															
	$F_A=0$ $F_G=0$ $F_B=0$	<table border="1"> <tr> <th></th> <th>mm</th> <th>INCH</th> </tr> <tr> <td>4 PLACES</td> <td>± ---</td> <td>± ---</td> </tr> <tr> <td>3 PLACES</td> <td>± ---</td> <td>± ---</td> </tr> <tr> <td>2 PLACES</td> <td>± 0.10</td> <td>± ---</td> </tr> <tr> <td>1 PLACE</td> <td>± 0.25</td> <td>± ---</td> </tr> </table>		mm	INCH	4 PLACES	± ---	± ---	3 PLACES	± ---	± ---	2 PLACES	± 0.10	± ---	1 PLACE	± 0.25	± ---	MM ONLY	1:1	METRIC	
		mm	INCH																		
	4 PLACES	± ---	± ---																		
3 PLACES	± ---	± ---																			
2 PLACES	± 0.10	± ---																			
1 PLACE	± 0.25	± ---																			
DRAWN BY: YXZHENG CHECKED BY: APPROVED BY: AYIN DATE: 2013/02/04	DRAWN BY: YXZHENG DATE: 2012/05/29 CHECKED BY: DATE: APPROVED BY: AYIN DATE: 2013/02/04	TITLE: 115X ILM TOP ASSY SUS430 MATERIAL NO.: SEE TABLE DOCUMENT NO.: RSD-47596-003	MOLEX INCORPORATED SHEET NO.: 1 OF 1																		
A	DRAFT WHERE APPLICABLE MUST REMAIN WITHIN DIMENSIONS	SIZE: A3 THIS DRAWING CONTAINS INFORMATION THAT IS PROPRIETARY TO MOLEX INCORPORATED AND SHOULD NOT BE USED WITHOUT WRITTEN PERMISSION																			

10 9 8 7 6 5 4 3 2 1



LEVER POSITION: OPEN
PUSH LEVER OUT
TO UNLOCK

NOTES:

- 1. INK PRINTED DATE CODE: * * *
 * WORKING DAY
 * WORKING MONTH
 * WORKING YEAR
- 2. AREA FILLED WITH BLACK INK.
- 3. INSULATOR OVERHANG ILM FRAME.
- 4. PARTS ARE COMPLIANT TO RoHS DIRECTIVE 2002/95/EC AND ELV 2000/53/EC.
- 5. PARTS ARE HALOGEN FREE.

BILL OF MATERIAL (47596-8855)			
ITEM NO	Q'TY	DESCRIPTION	MATERIAL
	1	ILM TOP ASSY WITHOUT SCREW	
①	1	ILM LEVER	STAINLESS STEEL
②	1	ILM LOAD PLATE	SUS430
③	1	ILM FRAME	STEEL WITH NICKEL PLATING
④	1	ILM FRAME INSULATOR	POLYCARBONATE FILM

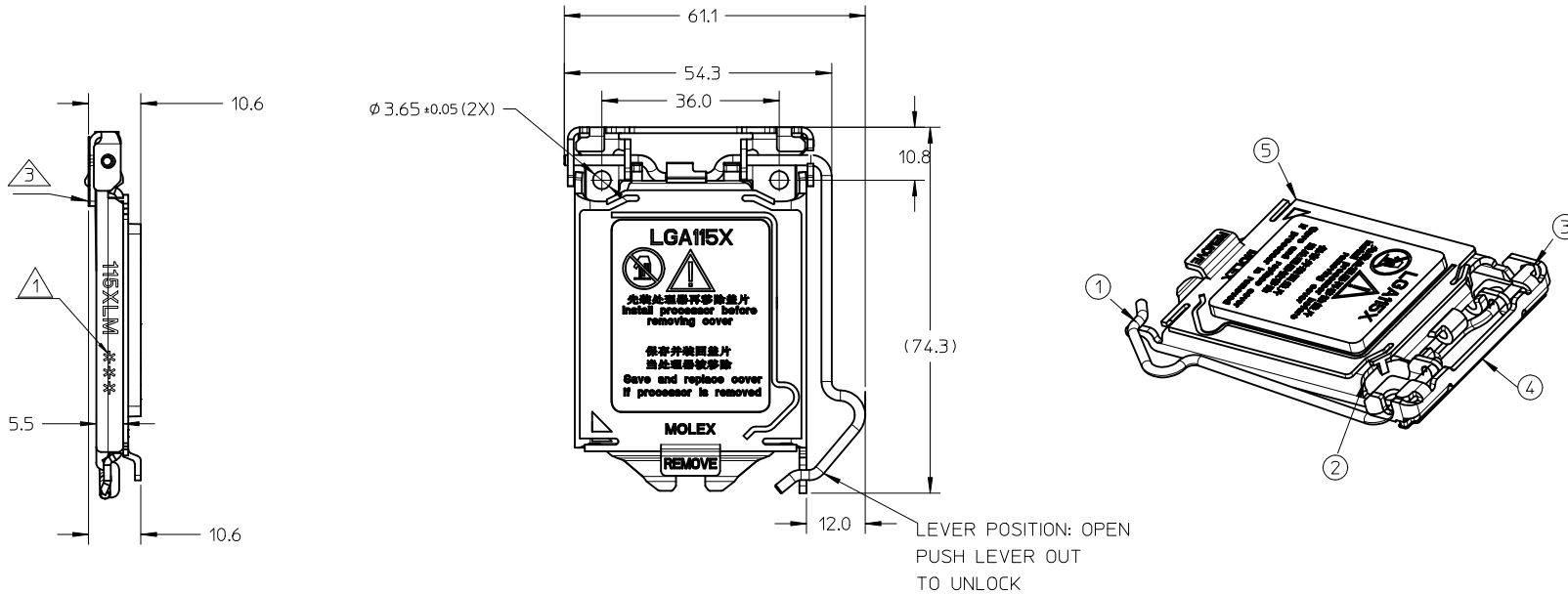
47596-8855	WITHOUT ILM PNP COVER
PART NO.	DESCRIPTION

ENTER DESCRIPTION EC NO: SH2012-0210 DRWN: ZHANG11 2012/01/05 CHKD: APPR: AYIN 2012/02/02	QUALITY SYMBOLS	GENERAL TOLERANCES (UNLESS SPECIFIED)	DIMENSION STYLE	SCALE	DESIGN UNITS	THIRD ANGLE PROJECTION
	$F_A=0$ $F_C=0$ $F_P=0$	mm INCH 4 PLACES ± --- ± --- 3 PLACES ± --- ± --- 2 PLACES ± 0.10 ± --- 1 PLACE ± 0.25 ± --- ANGULAR ± ---°	MM ONLY	1:1	METRIC	
	DRAWN BY: JGU007 CHECKED BY: JKACHLIC APPROVED BY: AYIN	DATE: 2008/01/10 DATE: 2008/01/10 DATE: 2010/12/10	TITLE	115X ILM TOP ASSY SUS430		
	MATERIAL NO. SEE TABLE		MOLEX INCORPORATED		DOCUMENT NO. SD-47596-003	SHEET NO. 1 OF 2

DRAFT WHERE APPLICABLE MUST REMAIN WITHIN DIMENSIONS

THIS DRAWING CONTAINS INFORMATION THAT IS PROPRIETARY TO MOLEX INCORPORATED AND SHOULD NOT BE USED WITHOUT WRITTEN PERMISSION

9 8 7 6 5 4 3 2 1



BILL OF MATERIAL (47596-8755)			
ITEM NO	Q'TY	DESCRIPTION	MATERIAL
	1	ILM TOP ASSY WITHOUT SCREW	
①	1	ILM LEVER	STAINLESS STEEL
②	1	ILM LOAD PLATE	SUS430
③	1	ILM FRAME	STEEL WITH NICKEL PLATING
④	1	ILM FRAME INSULATOR	POLYCARBONATE FILM
⑤	1	ILM PNP COVER	PC/ABS

47596-8755	WITH ILM PNP COVER
PART NO.	DESCRIPTION

ENTER DESCRIPTION EC NO: SHZ012-0210 DRWN: ZHANG11 CHKD: APPR: AYIN 2012/01/05 2012/02/02	QUALITY SYMBOLS $F_A=0$ $F_C=0$ $F_P=0$	GENERAL TOLERANCES (UNLESS SPECIFIED)		DIMENSION STYLE MM ONLY		SCALE 1:1	DESIGN UNITS METRIC	THIRD ANGLE PROJECTION		
		4 PLACES	\pm ---	\pm ---	DRAWN BY	DATE	TITLE	115X ILM TOP ASSY SUS430		
		3 PLACES	\pm ---	\pm ---	JGU007	2008/01/10				
2 PLACES	\pm 0.10	\pm ---	CHECKED BY	DATE		MOLEX INCORPORATED				
1 PLACE	\pm 0.25	\pm ---	JKACHLIC	2008/01/10						
		ANGULAR \pm ---°	APPROVED BY	DATE		SD-47596-003				
			AYIN	2010/12/10						
			MATERIAL NO.		SEE TABLE	THIS DRAWING CONTAINS INFORMATION THAT IS PROPRIETARY TO MOLEX INCORPORATED AND SHOULD NOT BE USED WITHOUT WRITTEN PERMISSION				
			A3							