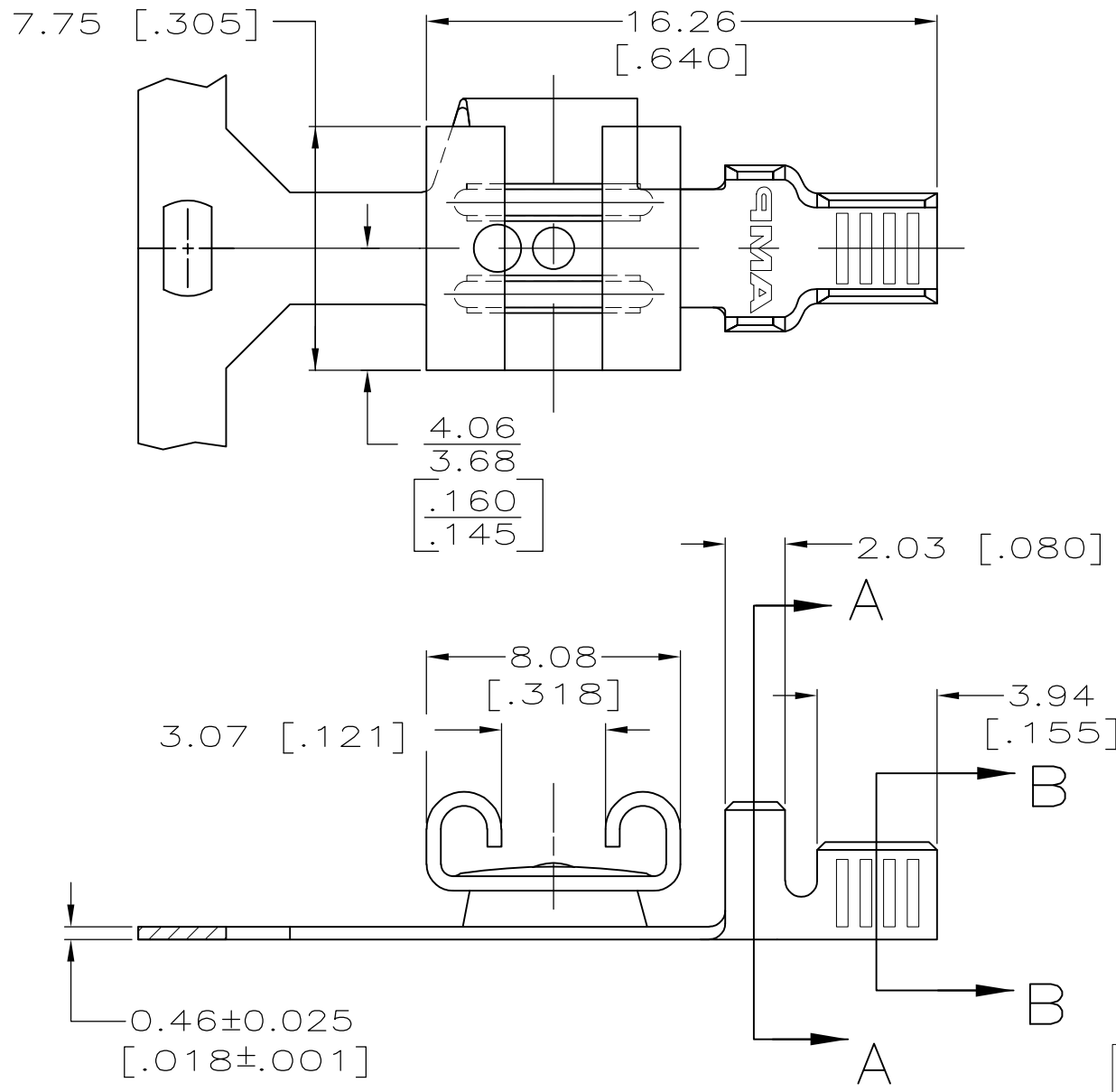
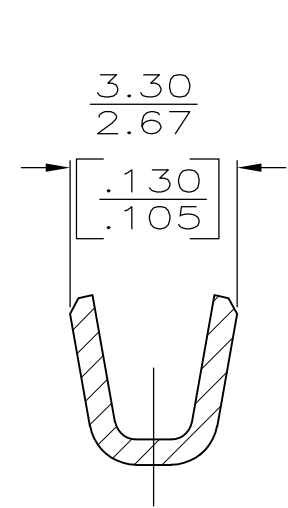


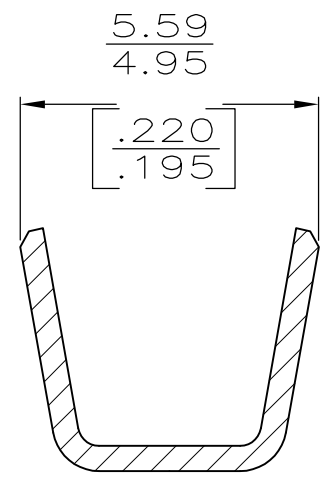
LOC	DIST	REVISIONS					
AF	50	P	LTR	DESCRIPTION	DATE	DWN	APVD
		C		REVISED PER ECR-11-018063	26DEC11	KH	PD



1 CONTINUOUS STRIP ON REELS.



SECTION B-B
SCALE 8:1



SECTION A-A
SCALE 8:1

2.29-3.30 DIA [.090-.130] DIA	[#20-#16] AWG	0.81 [.032]	63137-1
INSUL RANGE	WIRE SIZE	MATING TAB THK ±0.025 [.001]	PART NO

THIS DRAWING IS A CONTROLLED DOCUMENT.		DWN JR RUTH 9/9/94					
DIMENSIONS: mm [INCHES]		CHK MS FEHER 9/9/94					
TOLERANCES UNLESS OTHERWISE SPECIFIED:		APVD P DESANTIS 9/9/94					
		PRODUCT SPEC -	NAME RECEPTACLE, FASTON™ FLAG, REVERSIBLE, 6.35 [.250] SERIES				
MATERIAL T3 PHOS BRZ		FINISH TIN	APPLICATION SPEC 114-2032	SIZE A3	CAGE CODE 00779	DRAWING NO C-63137	RESTRICTED TO -
CUSTOMER DRAWING			WEIGHT -	SCALE 5:1	SHEET 1 OF 1	REV C	