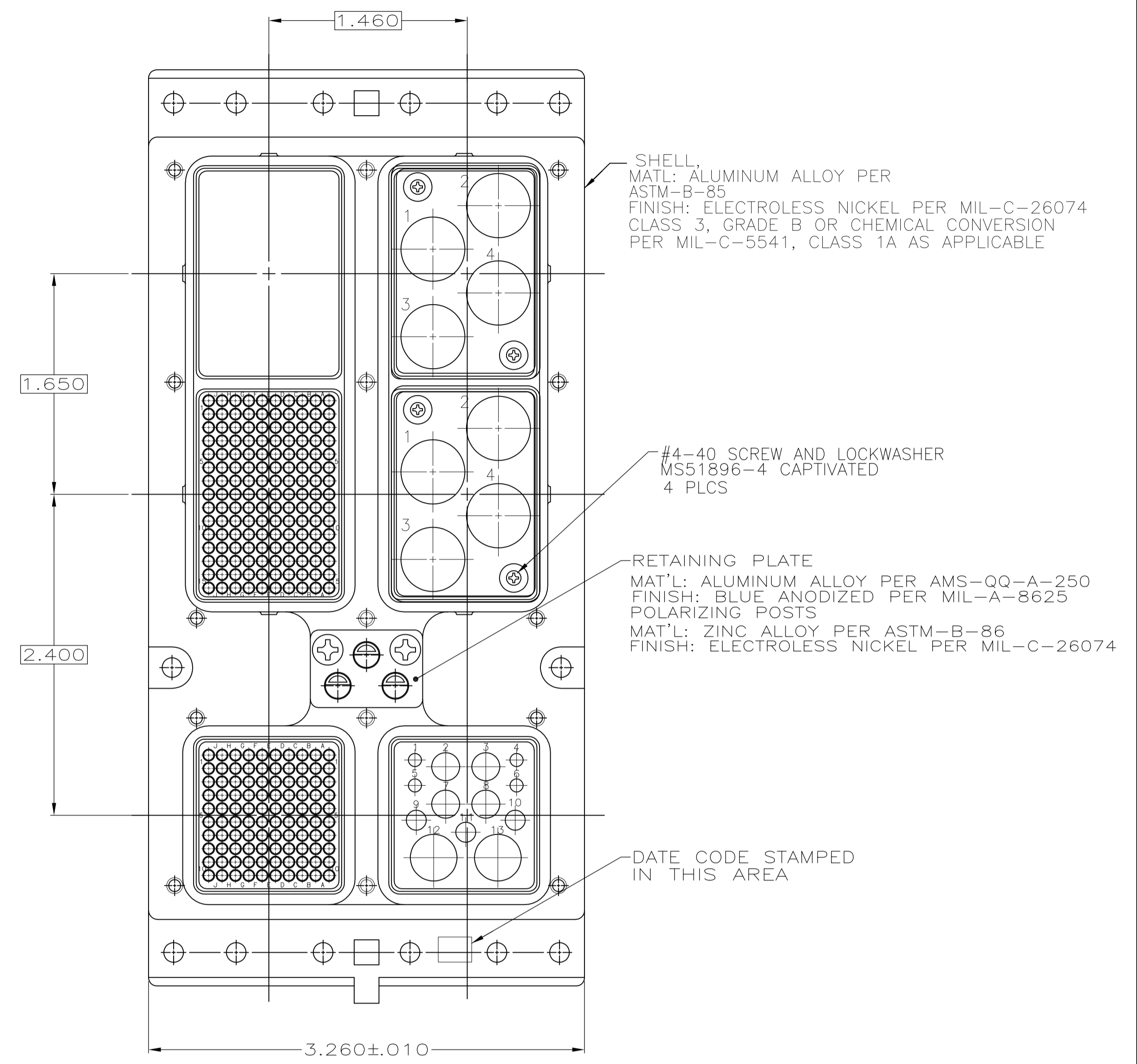
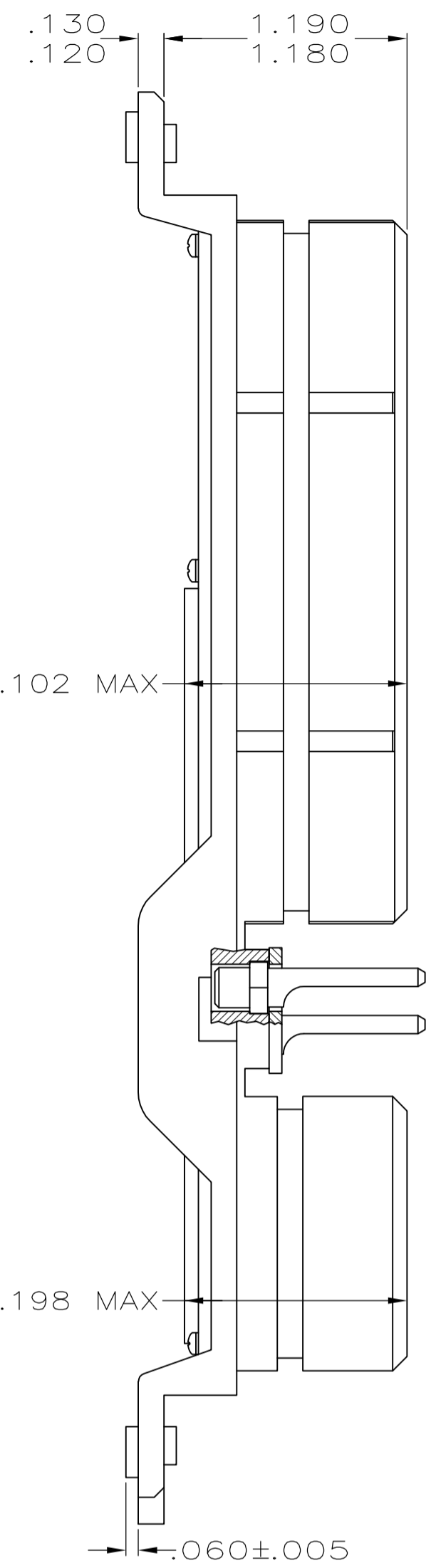
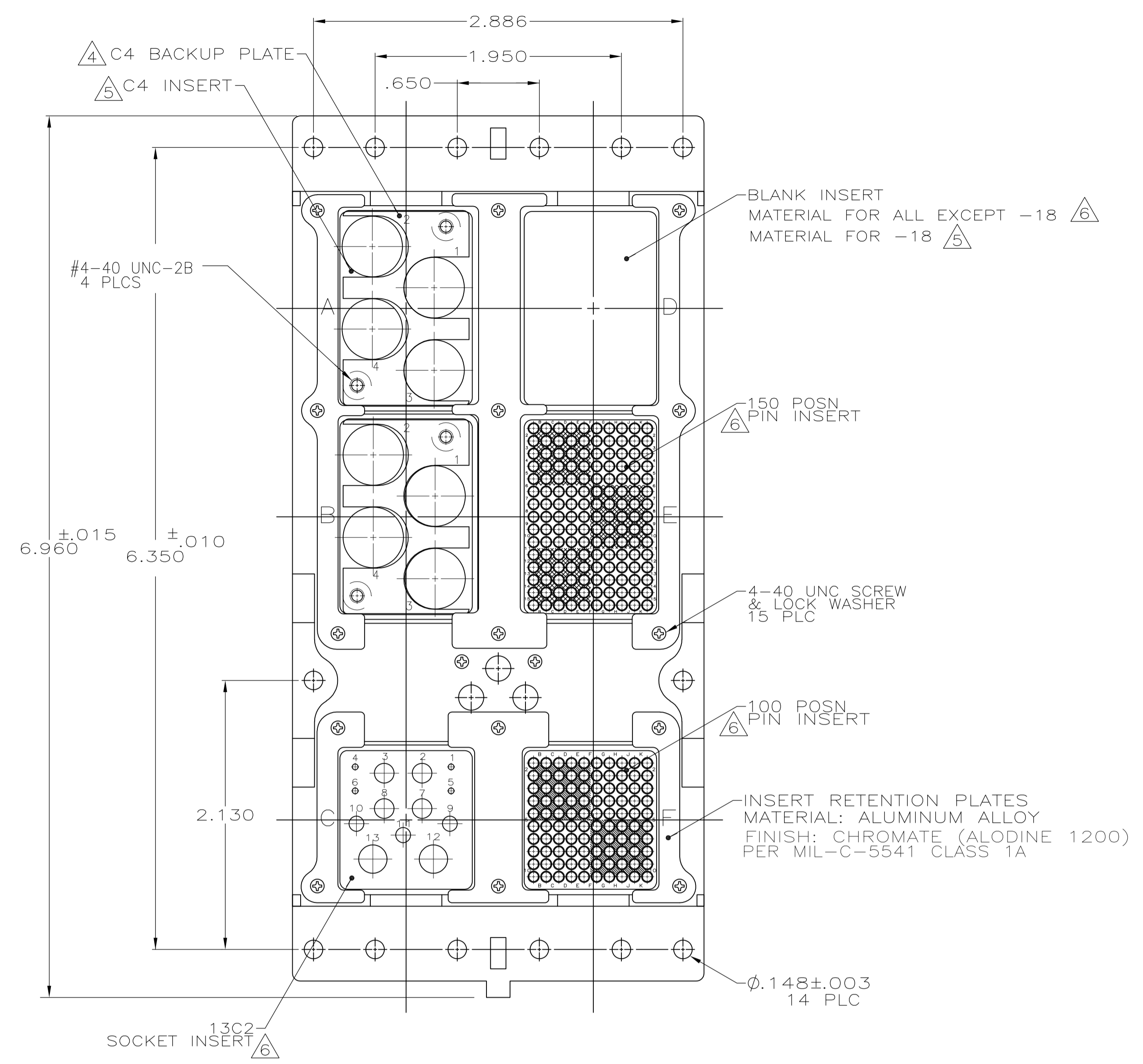


REVISONS		DATE	BY	APPV
LOC	DIST			
V	REV PER ECO-07-027931	27NOV07	PY	KT



PRELIMINARY NOT RELEASED FOR PRODUCTION

- CONTACTS ARE INCLUDED IN A CONTAINER WITHIN THE CONNECTOR PACKAGE WHEN CONNECTOR IS ORDERED WITH CONTACTS.
 - ALL CONTACT CAVITIES IN MODULES E & F TO BE LOCATED WITHIN .006 TRUE POSITION DIA. ALL CONTACT CAVITIES IN MODULES A, B & C TO BE LOCATED WITHIN .020 TRUE POSITION DIA.
 - POLARIZING KEYS SHOWN IN POSITION 01 FOR ILLUSTRATION ONLY. CONNECTORS SHIPPED WITH KEYING PER ORDERING INSTRUCTIONS.
- ④ C4 BACKUP PLATES & SCREWS ARE ASSEMBLED TO CONNECTOR.
 - ⑤ INSERT MATERIAL: MACHINED ALUMINUM INSERT FINISH: PER MIL-C-5541.
 - ⑥ INSERT MATERIAL: THERMOSET
 - ⑦ C4 BACKUP PLATES ALLOWED COAX TO ROTATE IN CONTACT CAVITY.

DESCRIPTION NO.	DESCRIPTION	PART NO.
NIC66K36C40CD0	KEYED 40, SEMI-ENVIRONMENTAL W/CONTACTS, W/CLINCH NUTS	1-445717-9
SPECIAL	W/ DUSTCOVERS, KEYED 40, NON ENVIRONMENTAL, W/ SIGNAL AND POWER CONTACTS INCLUDED W/COAX CONTACTS (2 SIZE 5 225791-2 & 8 SIZE 1 446549-5)	1-445717-8
NIC66K36C40CD1	KEYED 40, SEMI-ENVIRONMENTAL, W/O CONTACTS, W/CLINCH NUTS	1-445717-7
SPECIAL	⑦ W/ DUSTCOVERS, KEYED 40, NON ENVIRONMENTAL, W/O COAX CONTACTS W/OTHER CONTACTS.	1-445717-6
NIC66K36A40SC1	KEYED 40, NON-ENVIR, W/ CONTACTS, W/(8) 6-32 CLINCH NUTS	1-445717-5
-	PRELIMINARY PART NUMBER	1-445717-4
NIC66K36C01CD1	CUSTOMER RESTRICTED - SEE CUSTOMER DWG. 1-445717-3	1-445717-3
SPECIAL	KEYED 40, SEMI-ENVIR WITH CONTACTS, SPECIAL C4 PLATES	1-445717-2
NIC66K36C40CD1	CUSTOMER RESTRICTED - SEE CUSTOMER DWG. 1-445717-1	1-445717-1
SPECIAL	KEYED 40, NON ENVIR WITH CONTACTS, NO COAX ⑦	1-445717-0
SPECIAL	BACC66N01	445717-9
SPECIAL	KEYED 40, SEMI-ENVIR, WITH POWER CONTACTS, STD MTG	445717-8
SPECIAL	CUSTOMER RESTRICTED	445717-7
NIC66K36A40SC1	KEYED 40, NON-ENVIR, W/O CONTACTS, W/(10) 4-40 CLINCH NUTS	445717-6
NIC66K36A40CD1	KEYED 40, NON-ENVIR, W/O CONTACTS, W/(8) 6-32 CLINCH NUTS	445717-5
-	KEYED 40, NON-ENVIR, W/CONTACTS, W/O COAX, W/O CLINCH NUTS	445717-4
NIC66K36A40AA1	KEYED 40, NON ENVIRONMENTAL, W/O CONTACTS	445717-3
NIC66K36C40AA0	KEYED 40, SEMI-ENVIRONMENTAL, W/O COAX, W/CONTACTS	445717-2
NIC66K36C40AA1	KEYED 40, SEMI-ENVIRONMENTAL, W/O CONTACTS	445717-1

THIS DRAWING IS A CONTROLLED DOCUMENT.

DIMENSIONS: INCHES	TOLERANCES UNLESS OTHERWISE SPECIFIED:	0 PLC ± -	1 PLC ± -	2 PLC ± -	3 PLC ± .005	4 PLC ± -	ANGLES ± -
MATERIAL SEE CALLOUTS	FINISH SEE CALLOUTS	WEIGHT	SIZE	CAGE CODE	DRAWING NO.	RESTRICTED TO	
			A1	00779	445717		

Customer Drawing SCALE 1:1 SHEET 1 OF 1 REV V