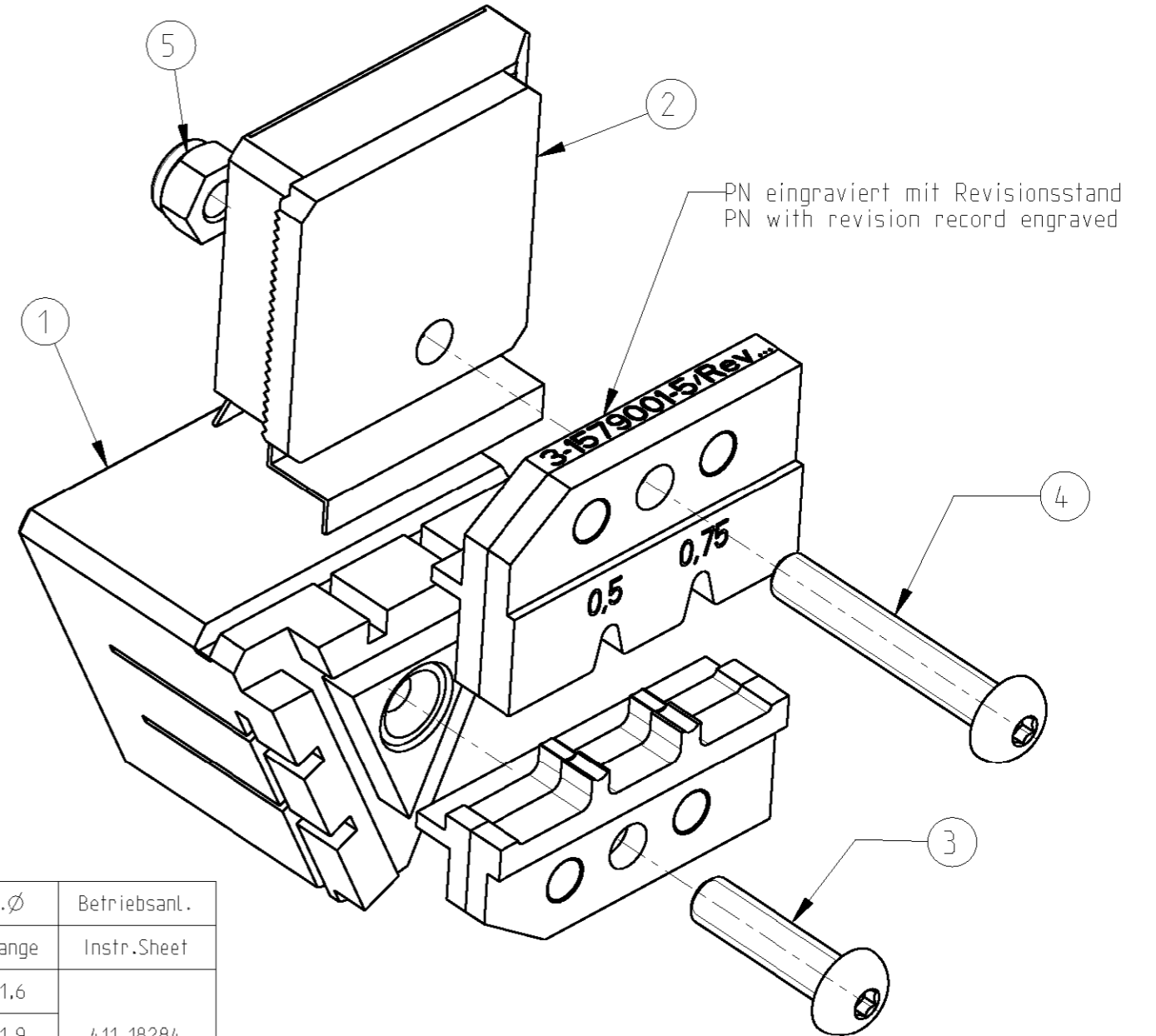


THIS DRAWING IS UNPUBLISHED. RELEASED FOR PUBLICATION 2003
 © COPYRIGHT 2003 BY TYCO ELECTRONICS CORPORATION. ALL RIGHTS RESERVED.

| LOC | DIST | REVISIONS | | | | |
|-----|------|--------------|------------|------|------|--|
| P | LTR | DESCRIPTION | DATE | DWN | APVD | |
| A | - | EGCO-0193-04 | 07.09.2004 | witt | - | |

Matrize in Kombination mit Ergocrimp Basishandzange PN 539635-1 verwenden
 Use die in combination with Ergocrimp basis hand tool PN 539635-1

Matrize im Karton mit Bedienungsanleitung 411-18284 verpackt
 Die packed in a cardboard with instruction sheet 411-18284



| | | | | | |
|-------------|-------------|-------------|-------------------|----------------------|------|
| 3-1579001-5 | 1 | 5-0744010-1 | Instruction Sheet | Bedienungsanleitung | 6 |
| | 1 | 0-0519024-2 | Nut M4 DIN 985 | Mutter M4 DIN 985 | 5 |
| | 1 | 1-0519151-3 | Screw M4x25 | Schraube M4x25 | 4 |
| | 1 | 1-0519151-1 | Screw M4x16 | Schraube M4x16 | 3 |
| | 1 | 8-1579005-9 | Locator Assembly | Drahtanschlag | 2 |
| | 1 | 8-1579005-4 | Contact Locator | Kontaktpositionierer | 1 |
| | QTY Stck | PN | Description | Benennung | Pos. |

| Kontakt | DGB (mm ²) | Drahtcrimp / Wire Crimp | | Isolationscrimp/Insulationcrimp | | Isol.Ø | Betriebsanl. |
|--|------------------------|-------------------------|-----------------|---------------------------------|-----------------|-----------|--------------|
| Contact | Wire Range | Hoehe/Height mm | Breite/Width mm | Hoehe/Height mm | Breite/Width mm | Ins.Range | Instr.Sheet |
| 963729 / 963730 968221 / 1241921 1452014 | 0.50 | 0.93 ±0.03 | 1.40 | 1.7 ±0.1 | 2.03 ±0.1 | 1.4-1.6 | 411-18284 |
| | 0.75 | 1.07 ±0.03 | | 2.05 ±0.1 | | 1.7-1.9 | |
| | ----- | ----- | | ----- | | ----- | |

| | | | | | | | |
|--|--|---|-----------|--|--|---|--|
| THIS DRAWING IS A CONTROLLED DOCUMENT FOR TYCO ELECTRONICS CORPORATION IT IS SUBJECT TO CHANGE AND THE CONTROLLING ENGINEERING ORGANIZATION SHOULD BE CONTACTED FOR THE LATEST REVISION. | | DWN Ch.Witt | 07SEP2004 | tyco Electronics | | tyco Electronics AMP GmbH D - 64625 Bensheim | |
| DIMENSIONS: mm | | TOLERANCES UNLESS OTHERWISE SPECIFIED: | | NAME ERGOGRIMP-DIE SET Ergocrimp Matrize | | | |
| | | 0 PLC ± 1 PLC ± 2 PLC ± 3 PLC ± 4 PLC ± ANGLES ±1° | | PRODUCT SPEC - APPLICATION SPEC - | | | |
| MATERIAL - | | FINISH - | | SIZE A3 | | CAGE CODE 00779 | |
| | | | | DRAWING NO C-3-1579001-5 | | RESTRICTED TO - | |
| | | | | WEIGHT - | | SCALE 2:1 | |
| | | | | CUSTOMER DRAWING | | SHEET 1 OF 1 REV A | |