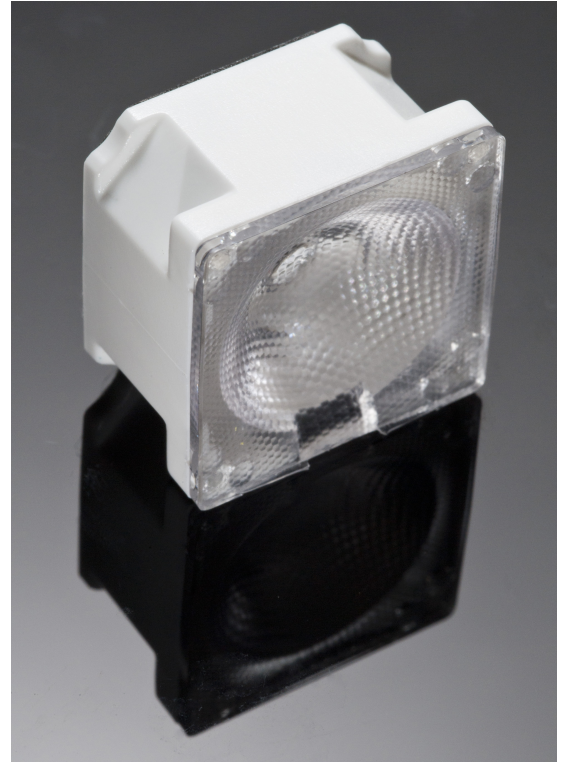


## NIS83-MX-W

~50° wide beam optimized for Nichia NS6x83.  
Assembly with white holder.

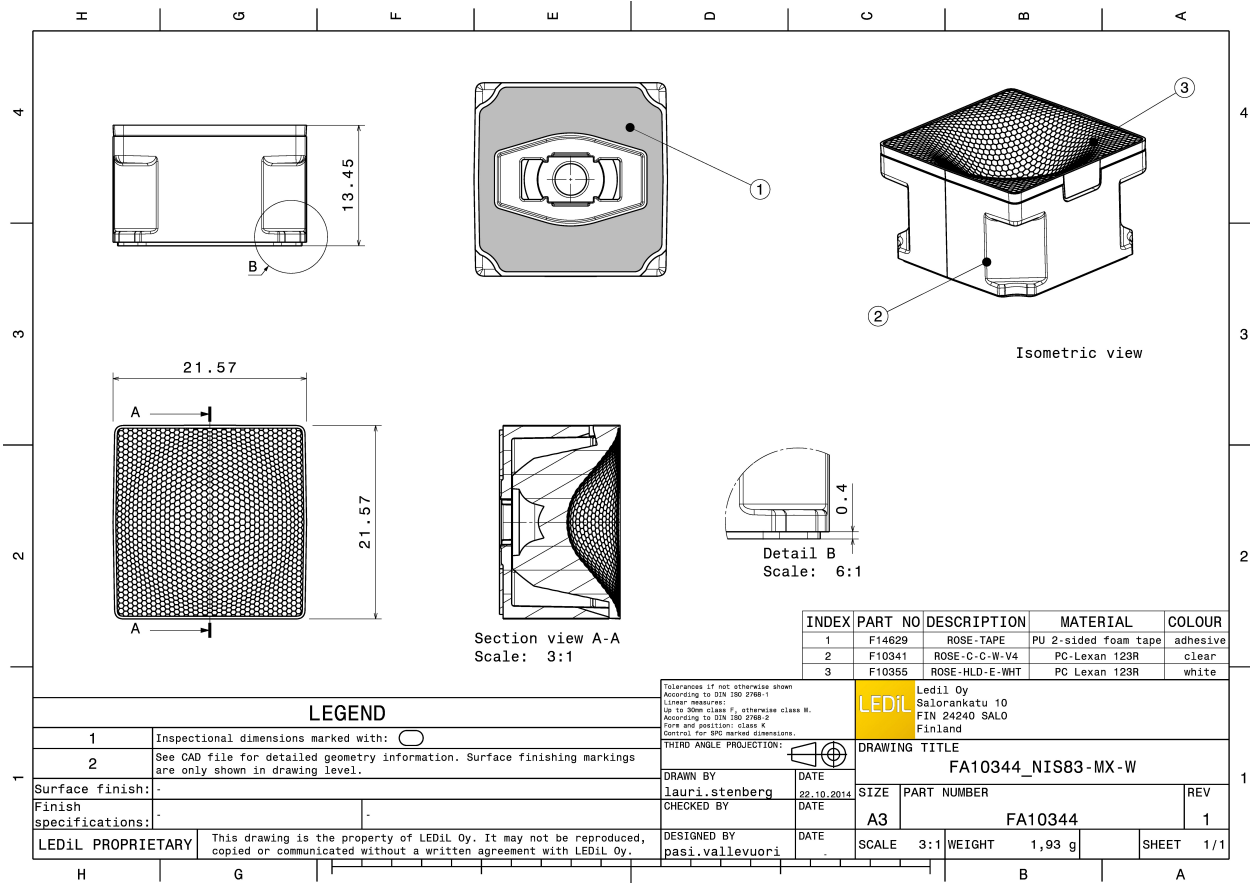
### TECHNICAL SPECIFICATIONS:

Dimensions	21.6 + 21.6 mm
Height	13.5 mm
Fastening	tape
Colour	white
Box size	
Box weight	10.1 kg
Quantity in Box	2304 pcs
ROHS compliant	yes ⓘ



### MATERIAL SPECIFICATIONS:

Component	Type	Material	Colour
ROSE-C-C-W-V4	Lens	PC	clear
ROSE-HLD-E-WHT	Holder	PC	white
ROSE-TAPE	Tape	PU tape	



INDEX	PART NO	DESCRIPTION	MATERIAL	COLOUR
1	F14629	ROSE-TAPE	PU 2-sided foam tape	adhesive
2	F10341	ROSE-C-C-W-V4	PC-Lexan 123R	clear
3	F10355	ROSE-HLD-E-WHT	PC Lexan 123R	white

#### LEGEND

1	Inspectional dimensions marked with:
2	See CAD file for detailed geometry information. Surface finishing markings are only shown in drawing level.
Surface finish:	-
Finish specifications:	-
LEDiL PROPRIETARY	This drawing is the property of LEDiL Oy. It may not be reproduced, copied or communicated without a written agreement with LEDiL Oy.

Tolerances if not otherwise shown According to DIN ISO 2768-1 Linear measures: Up to 30mm class F, otherwise class M. According to DIN ISO 2768-2 Form and position: class K Control for SPC marked dimensions.		Ledil Oy Salorankatu 10 FIN 24240 SALO Finland	
THIRD ANGLE PROJECTION:		DRAWING TITLE	
DRAWN BY lauri.stenberg		FA10344_NIS83-MX-W	
DATE 22.10.2014	SIZE A3	PART NUMBER FA10344	REV 1
CHECKED BY pasi.vallevuori	SCALE 3:1	WEIGHT 1,93 g	SHEET 1/1

## PHOTOMETRIC DATA (MEASURED):

**CREE** 

LED MX-6

FWHM 36.0°

Efficiency 84 %

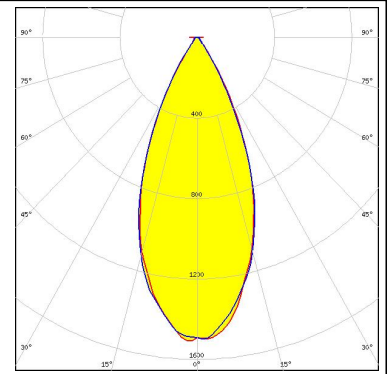
Peak intensity cd/lm

Required components:

## PHOTOMETRIC DATA (SIMULATED):

**CREE** 

LED XT-E  
FWHM 44.0°  
Efficiency 88 %  
Peak intensity 1.540 cd/Im  
Required components:



### GENERAL INFORMATION:

NOTE: The typical beam angle will be changed by different color, chip size and chip position tolerance. The typical total beam angle is the full angle measured where the luminous intensity is half of the peak value.

### MATERIALS:

As part of our continuous research and improvement processes, and to ensure the best possible quality and availability of our products, LEDiL reserves the right to change material grades without notice.

### PRODUCT DATA USER AGREEMENT AND DISCLAIMER:

The measured data in the provided downloadable LEDiL Product Datasheets and Mechanical 2D-Drawings is rounded and provided as reference for planning. LEDiL Oy's optical specifications have been verified by conducting performance testing of the products in accordance with the company's quality system. The reported data are averaged results of multiple measurements with typical variation. LEDiL Oy reserves the right to without prior notification make changes and improvements to its products.

LEDiL Oy assumes neither warranty, nor guarantee nor any other liability of any kind for the contents and correctness of the provided data. The provided data has been generated with highest diligence but the provided data may in reality not represent the complete possible variation range of all intrinsic parameters. Therefore, in certain cases a deviation from the provided data could occur.

LEDiL Oy reserves the right to undertake technical changes of its products without further notification which could lead to changes in the provided data. LEDiL Oy assumes no liability of any kind for the possible deviation from any provided data or any other damage resulting from the usage of the provided data.

The user agrees to this disclaimer and user agreement with the download or usage of the provided files.

#### LEDiL Oy

Joensuunkatu 13  
FI-24240 SALO  
Finland

#### LEDiL Inc.

228 West Page Street  
Suite D  
Sycamore IL 60178  
USA

#### Local sales and technical support

[www.ledil.com/  
where\\_to\\_buy](http://www.ledil.com/where_to_buy)

#### Shipping locations

Salo, Finland  
Hong Kong, China

#### Distribution Partners

[www.ledil.com/  
where\\_to\\_buy](http://www.ledil.com/where_to_buy)