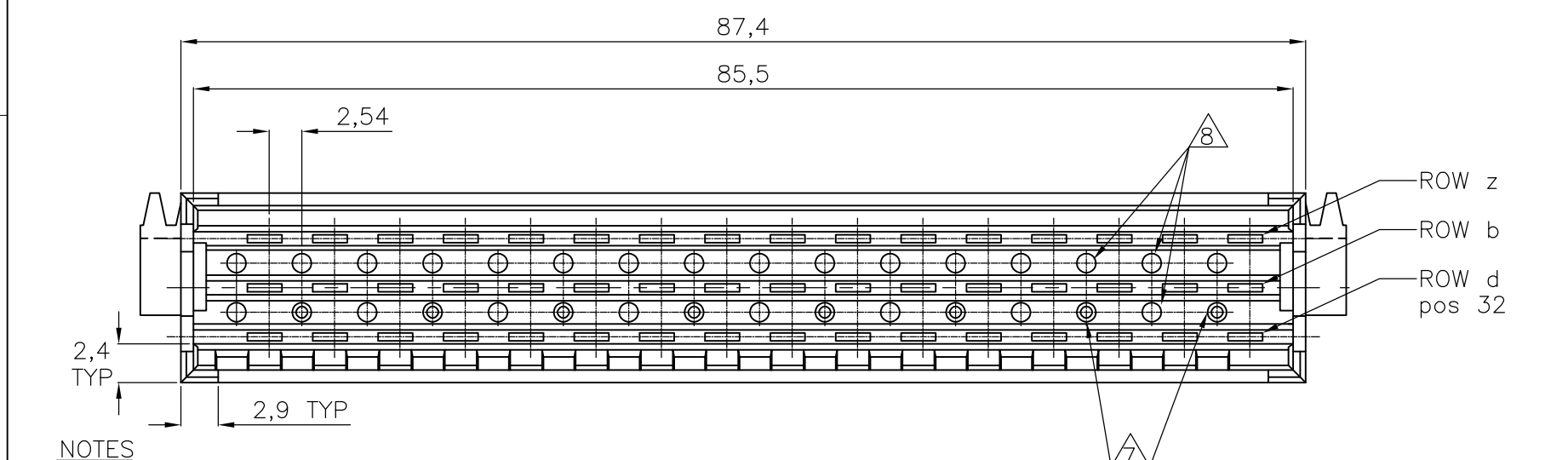
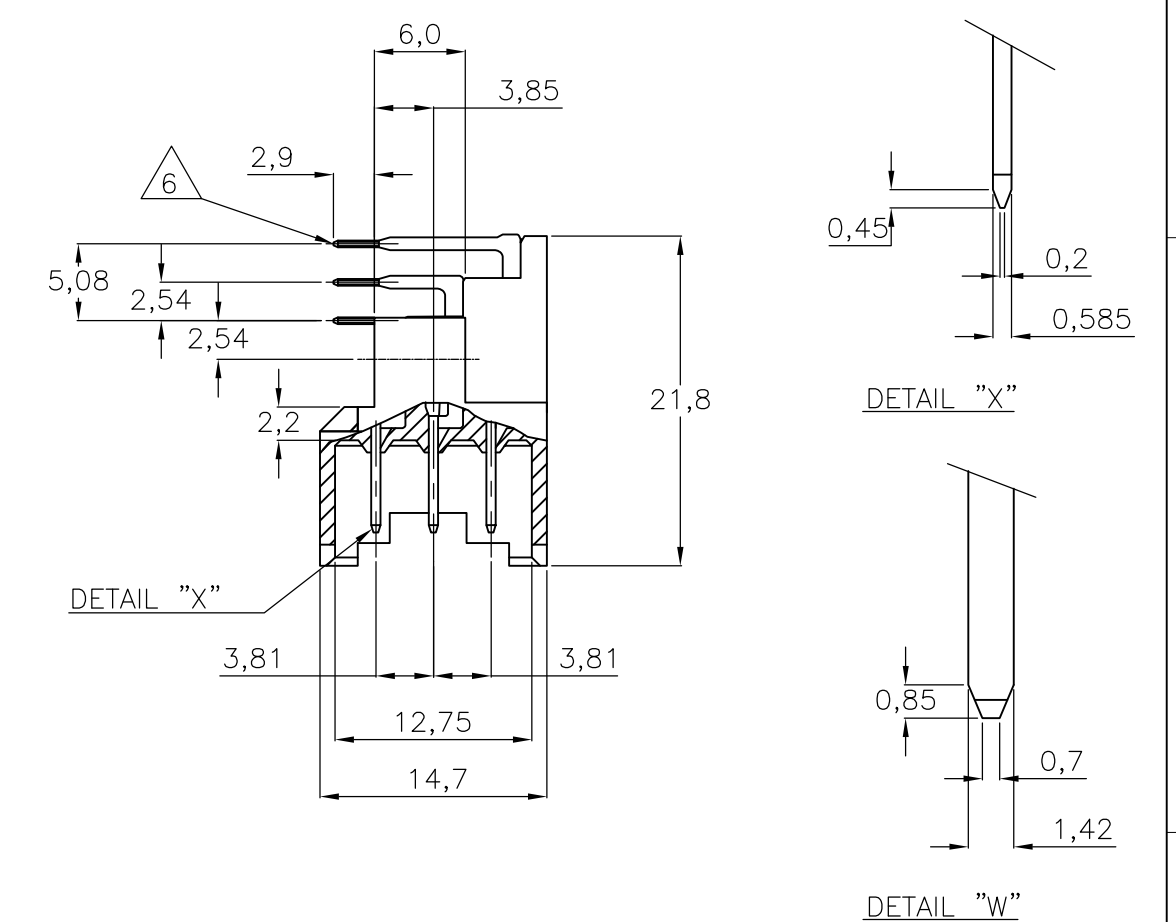
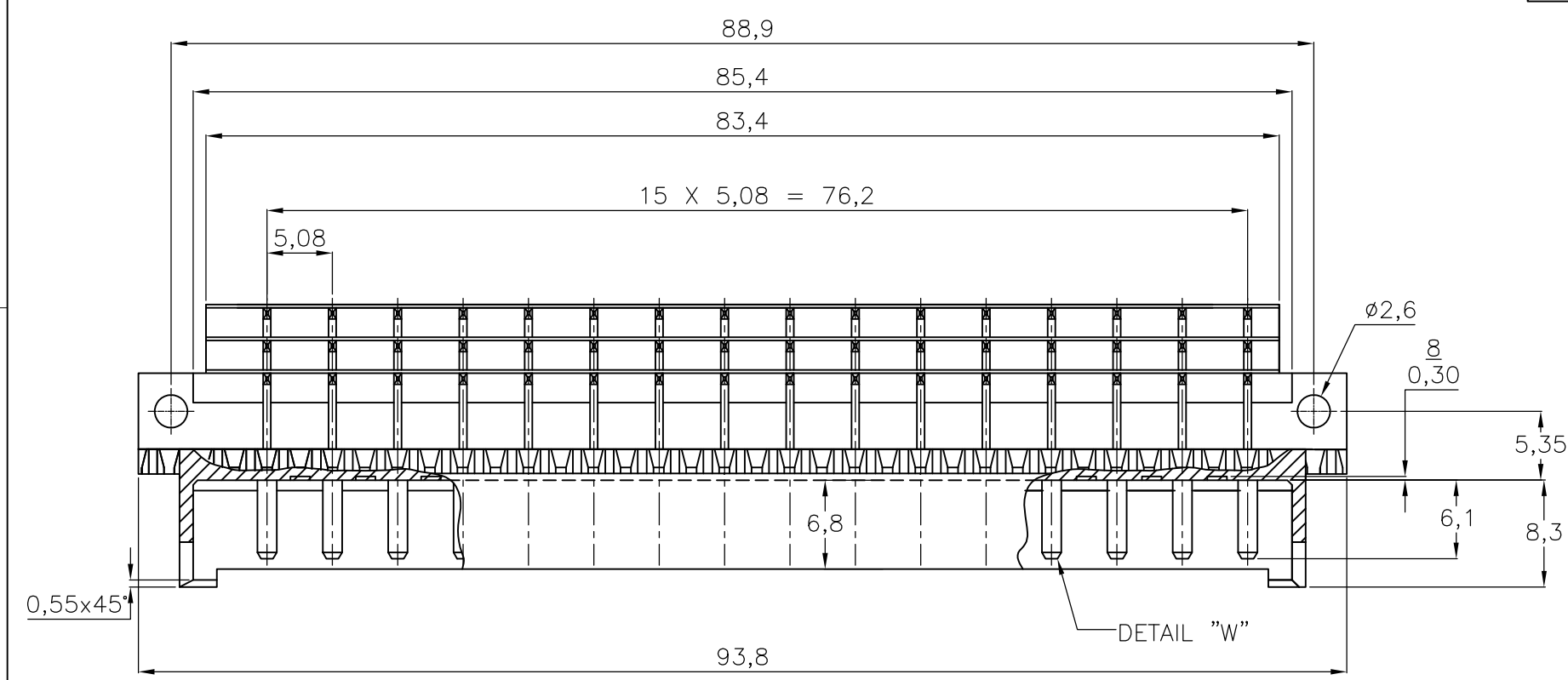


THIS DRAWING IS UNPUBLISHED. RELEASED FOR PUBLICATION
 © COPYRIGHT - By - ALL RIGHTS RESERVED.

LOC	DIST	REVISIONS					
H	-	P	LTR	DESCRIPTION	DATE	DWN	APVD
			W2	REVISED PER ECO-11-005294	02APR11	RK	HMR



POS. NO	2	4	6	8	10	12	14	16	18	20	22	24	26	28	30	32
F 48 ROW	x	x	x	x	x	x	x	x	x	x	x	x	x	x	x	x

AN ASTERISK „X” DENOTES A STANDARD CONTACT.

NOTES

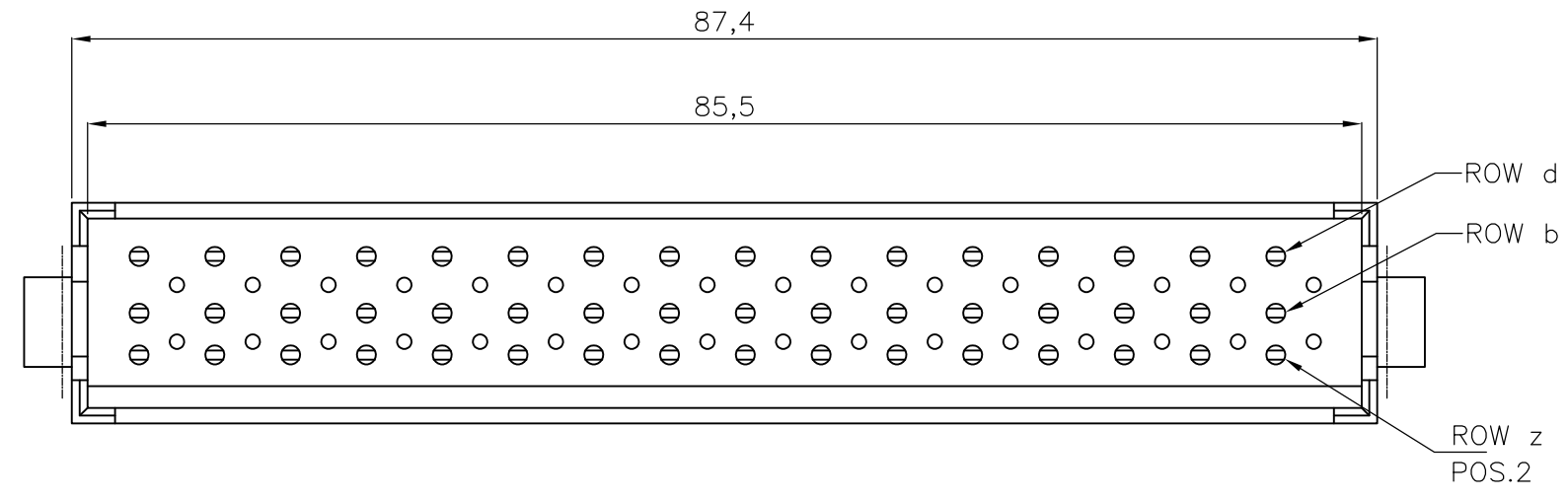
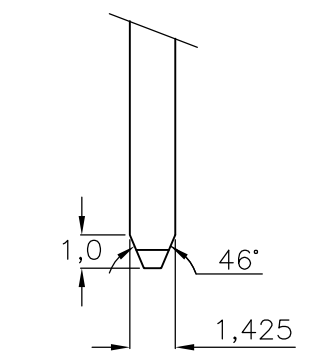
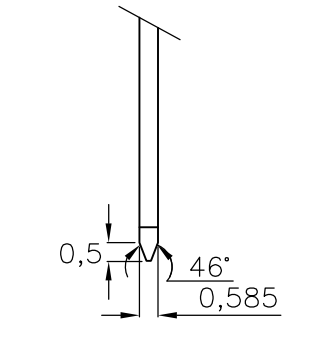
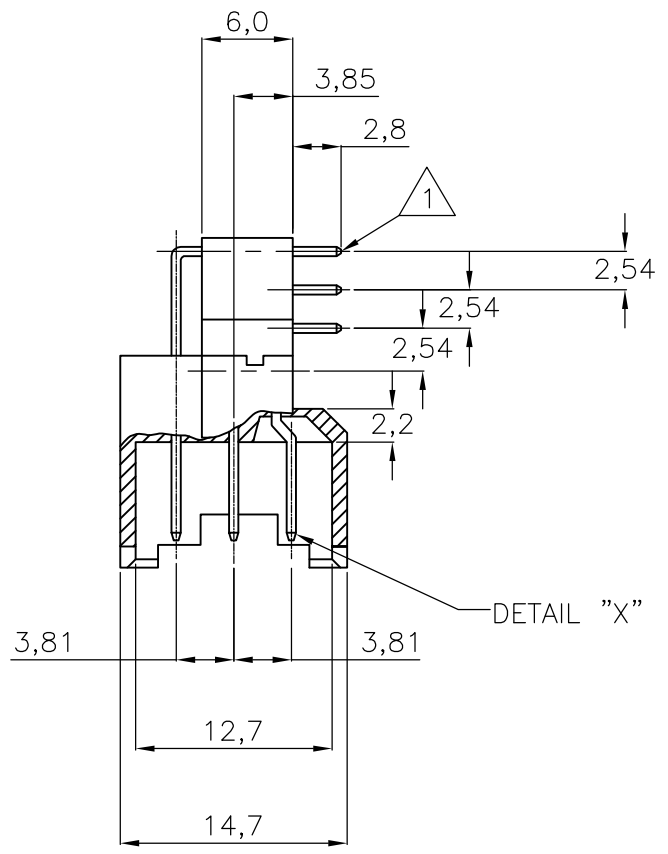
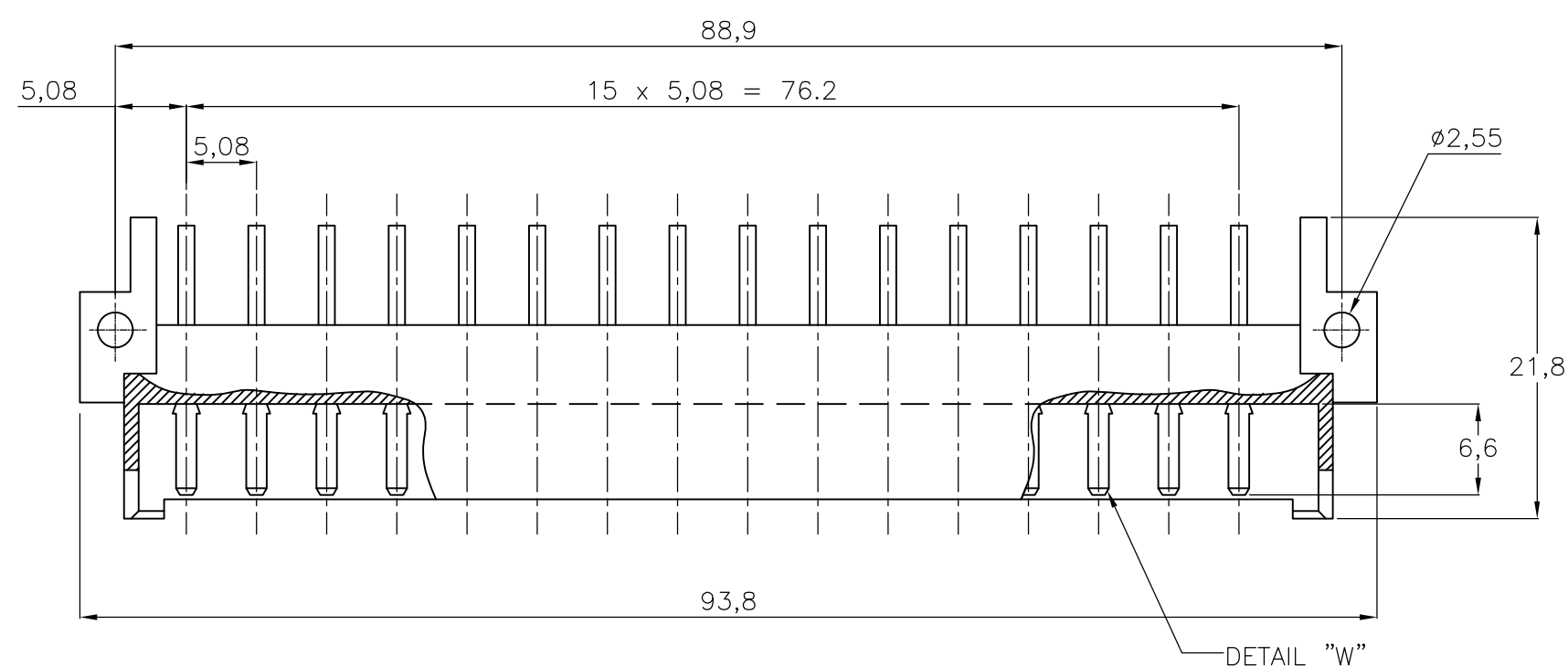
- 1 MATERIAL:
-HOUSING: THERMOPLASTIC POLYESTER, COLOR GREY.
-CONTACTS: BRASS.
- 2 PLATING CONTACT: 1,25 μm Au OVER 1,25 μm Ni IN CONTACT AREA.
Sn over 1,25 μm Ni ON SOLDER POST.
- 3 PLATING CONTACT: 0,8 μm Au OVER 1,25 μm Ni IN CONTACT AREA.
Sn over 1,25 μm Ni ON SOLDER POST.
- 4 PLATING CONTACT: 2,0 μm Au OVER 1,25 μm Ni IN CONTACT AREA.
Sn over 1,25 μm Ni ON SOLDER POST.
- 5 PLATING CONTACT: 0,4 μm Au OVER 1,25 μm Ni IN CONTACT AREA.
Sn over 1,25 μm Ni ON SOLDER POST.
- 6 SOLDER POSTS SUITABLE FOR P.C.B. HOLES
0,8+/-0,05 OR 1,0+/-0,1 DIA.
- 7 8 HOLES SUITABLE FOR KEYING PIN PN. 215916-1.
- 8 KEYING HOLES TO BE DRILLED BY CUSTOMER.

SEE NOTE 5	2-164045-8	
SEE NOTE 4	2-164045-7	
SEE NOTE 3	2-164045-4	
SEE NOTE 2	2-164045-1	
FINISH	MATERIAL	PART NUMBER

THIS DRAWING IS A CONTROLLED DOCUMENT.		DWN R.v.LOKVEN 27AUG91	STE TE Connectivity		
DIMENSIONS: mm		CHK J.GIBBELS			
TOLERANCES UNLESS OTHERWISE SPECIFIED:		APVD -	NAME		
0 PLC ± -		PRODUCT SPEC -	48 POS. DIN 41612 F MALE		
1 PLC ± -		APPLICATION SPEC -	90 DEG. SOLDER CONNECTOR		
2 PLC ± -		SIZE	CAGE CODE	DRAWING NO	RESTRICTED TO
3 PLC ± -		WEIGHT -	A3	00779	C-164045
4 PLC ± -		CUSTOMER DRAWING			
ANGLES ± -		SCALE	SHEET	1 OF 2	REV W2
FINISH -		NTS			

THIS DRAWING IS UNPUBLISHED. RELEASED FOR PUBLICATION
 © COPYRIGHT - By - ALL RIGHTS RESERVED.

LOC	DIST	REVISIONS			
P	LTR	DESCRIPTION	DATE	DWN	APVD
H	-	SEE SHEET 1	-	-	-



9 PLATING CONTACT: 1,25 µm Au OVER 1,25 µm Ni IN CONTACT AREA.
 Sn over 1,25 µm Ni ON SOLDER POST.
 10 PLATING CONTACT: 0,8 µm Au OVER 1,25 µm Ni IN CONTACT AREA.
 Sn over 1,25 µm Ni ON SOLDER POST.

SUPERSEDED BY 2-164045-4	SEE NOTE	10	SEE NOTE	1	9-164045-4
SUPERSEDED BY 2-164045-1	SEE NOTE	9	SEE NOTE	1	9-164045-1
FINISH		MATERIAL		PART NUMBER	

THIS DRAWING IS A CONTROLLED DOCUMENT.		DWN J.GIBBELS 04AUG97	TE Connectivity 48 POS. DIN 41612 F MALE 90 DEG. SOLDER CONNECTOR		
DIMENSIONS: mm		CHK J.GIBBELS			
TOLERANCES UNLESS OTHERWISE SPECIFIED:		APVD -	PRODUCT SPEC	DRAWING NO	RESTRICTED TO
0 PLC ± - 1 PLC ± - 2 PLC ± - 3 PLC ± - 4 PLC ± - ANGLES ± -		APVD -	APPLICATION SPEC	A300779	C-164045
MATERIAL -	FINISH -	WEIGHT -	CUSTOMER DRAWING	SCALE NTS	SHEET 2 OF 2
			REV W2		

POS. NO	2	4	6	8	10	12	14	16	18	20	22	24	26	28	30	32
F 48 ROW	x	x	x	x	x	x	x	x	x	x	x	x	x	x	x	x
	x	x	x	x	x	x	x	x	x	x	x	x	x	x	x	x
	x	x	x	x	x	x	x	x	x	x	x	x	x	x	x	x

AN ASTERISK „X” DENOTES A STANDARD CONTACT.