

THIS DRAWING IS UNPUBLISHED.

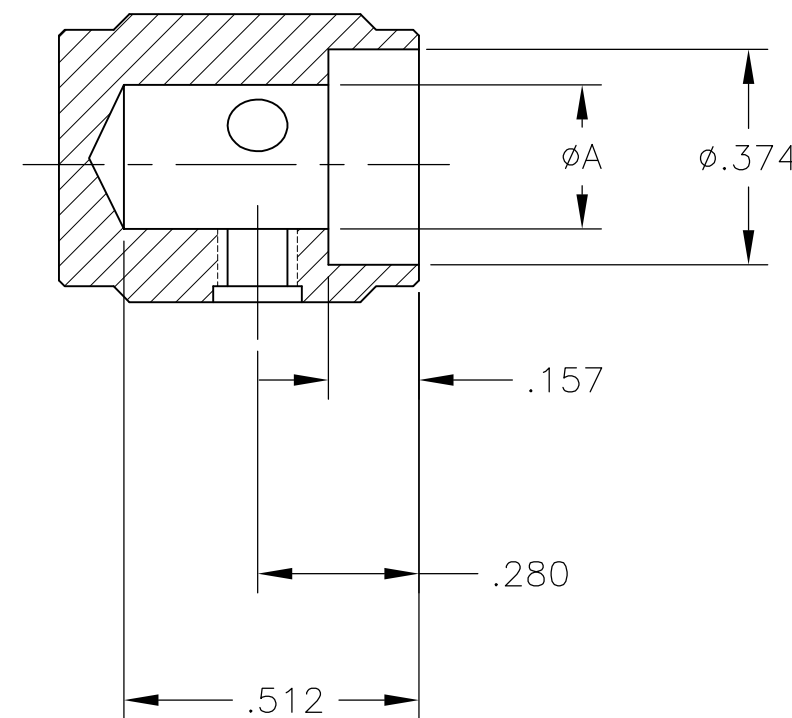
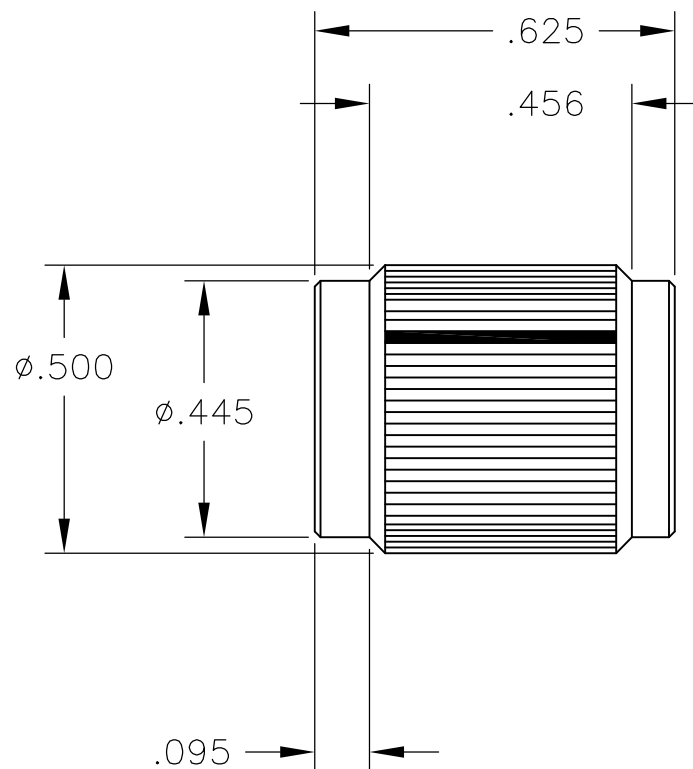
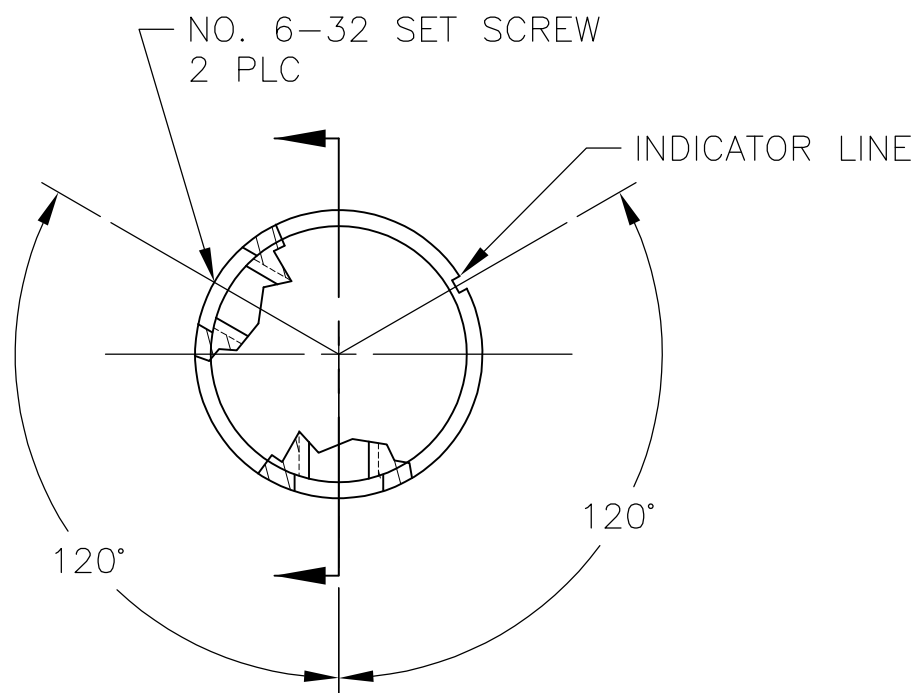
RELEASED FOR PUBLICATION

ALL RIGHTS RESERVED.

© COPYRIGHT - By -

LOC AD DIST 00

P	LTR	DESCRIPTION	DATE	DWN	APVD
A1		REVISED PER ECO-11-004917	11MAR11	RK	HMR



- 1 KNOB: ALUMINUM; SET SCREWS: STAINLESS STEEL
- 2 FINISH: ANODIZED - SEE TABLE
- 3. WAS DRAWING NUMBER 80253

.251	NONE	BLACK	BLACK	KN500B1/4NL	1571193-1
	WHITE	NATURAL	BLACK	KN500BA1/4	4-1437622-8
	BLACK	BLACK	NATURAL	KN500AB1/4	4-1437622-4
	WHITE	BLACK	BLACK	KN500B1/4	4-1437622-6
.126	BLACK	NATURAL	NATURAL	KN500A1/4	4-1437622-2
	WHITE	NATURAL	BLACK	KN500BA1/8	4-1437622-9
	BLACK	BLACK	NATURAL	KN500AB1/8	4-1437622-5
	WHITE	BLACK	BLACK	KN500B1/8	4-1437622-7
A	INDICATOR LINE	TOP	BODY	MODEL NUMBER	PART NUMBER
		COLOR			

THIS DRAWING IS A CONTROLLED DOCUMENT.		DWN M.BINNER 03DEC02	TE Connectivity		
DIMENSIONS: INCHES		CHK M.ZITTO			
TOLERANCES UNLESS OTHERWISE SPECIFIED:		APVD M.ZITTO	KNOB, STRAIGHT KNURL HAIRLINE INDICATOR (KN-500)		
0 PLC ± - 1 PLC ± - 2 PLC ± - 3 PLC ± .020 4 PLC ± - ANGLES ± -		PRODUCT SPEC	RESTRICTED TO		
MATERIAL		APPLICATION SPEC	SIZE	CAGE CODE	DRAWING NO
FINISH 1		WEIGHT -	A3	00779	C-4-1437622-6
CUSTOMER DRAWING			SCALE 3:1	SHEET 1 OF 1	REV A1