

NOTES:

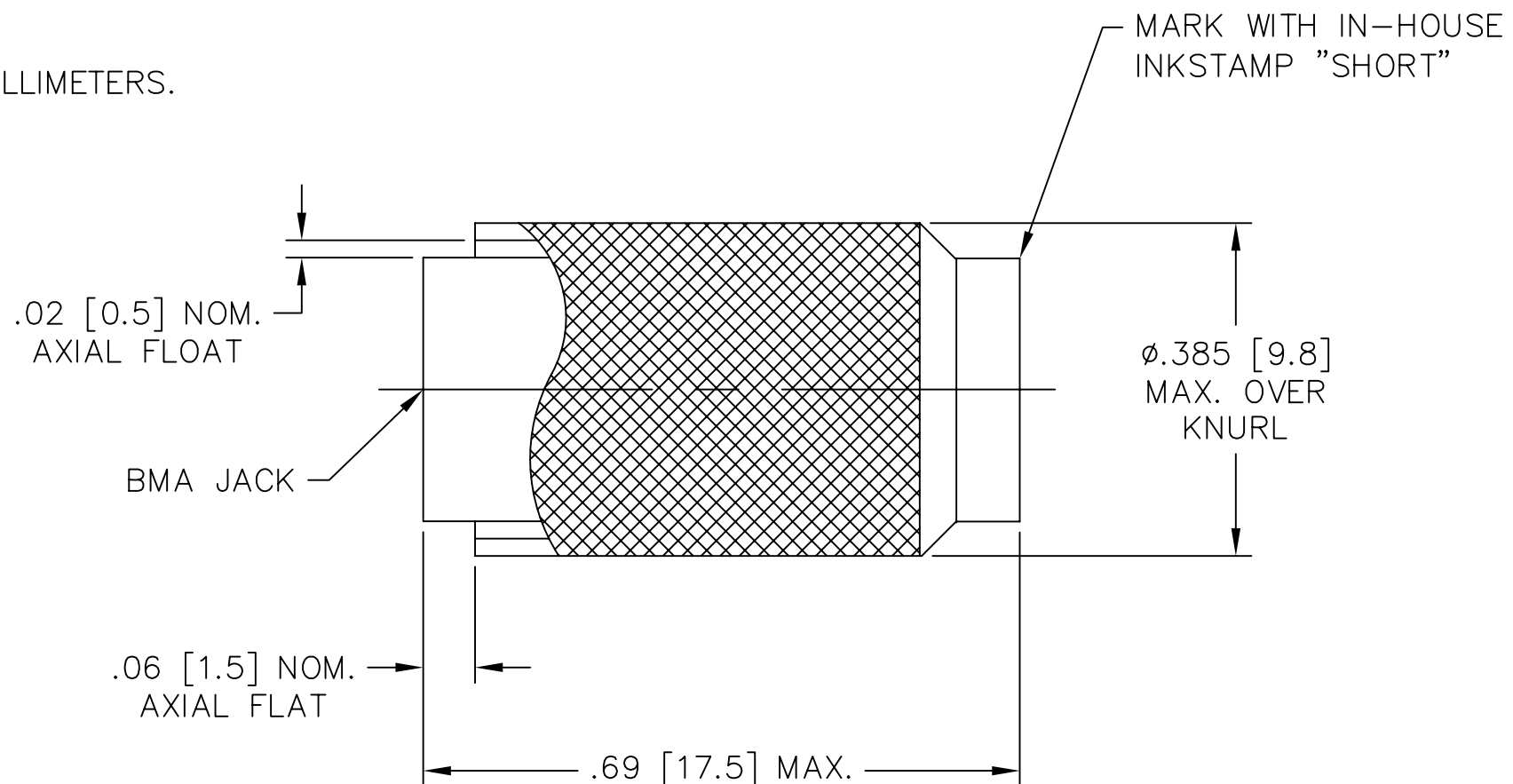
1.0 MATERIAL:

1.1 HOUSING & COUPLING NUT: STAINLESS STEEL
PER QQ-S-764 AND ASTM-A-582, TYPE 303.

2.0 FINISH:

2.1 HOUSING & COUPLING NUT: PASSIVATED
PER 11-P-35 AND MIL-F-14072.

3.0 DIMENSIONS IN BRACKETS ARE IN MILLIMETERS.



MODEL NUMBER	SHT-2173-F0-BMA-02
REV.	-

DATE	9/7/00
DESCRIPTION	RELEASED
REV.	-

UNLESS OTHERWISE NOTED DIMENSIONS ARE IN INCHES AND TOLERANCES ARE: 3 PLACE DECIMALS \pm .005 2 PLACE DECIMALS \pm .02 FRACTIONS \pm 1/64 PARALLELITY: T.I.R. _____ FLATNESS: T.I.R. _____ CONCENTRICITY: T.I.R. _____ ANGLES AND PERPENDICULARITY: \pm 1°	FSCM NO. 34078	MIDWEST MICROWAVE	
	NOTICE: The information contained in this drawing is proprietary and must not be used without the permission of Midwest Microwave		TITLE SHORT - BMA JACK
	DRAWN/DATE M. STAFFORD 8/29/00	ENG./DATE G.KOZAK 9/7/00	DRAWING NUMBER SHT-2173-F0-BMA-02
	CHECKED/DATE	APPROVED/DATE	SCALE: 5=1 SHEET 1 of 1