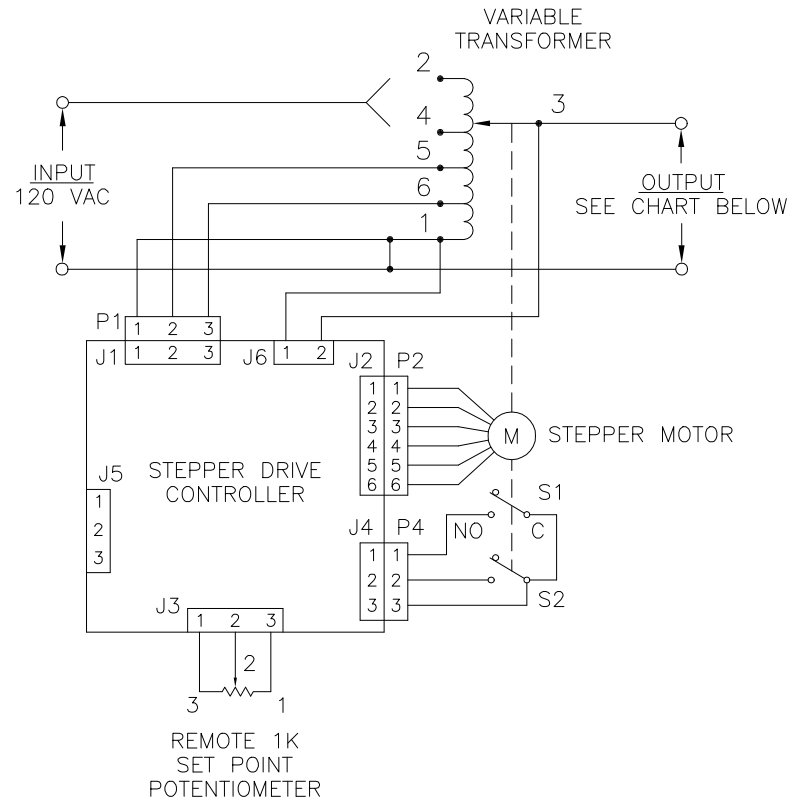
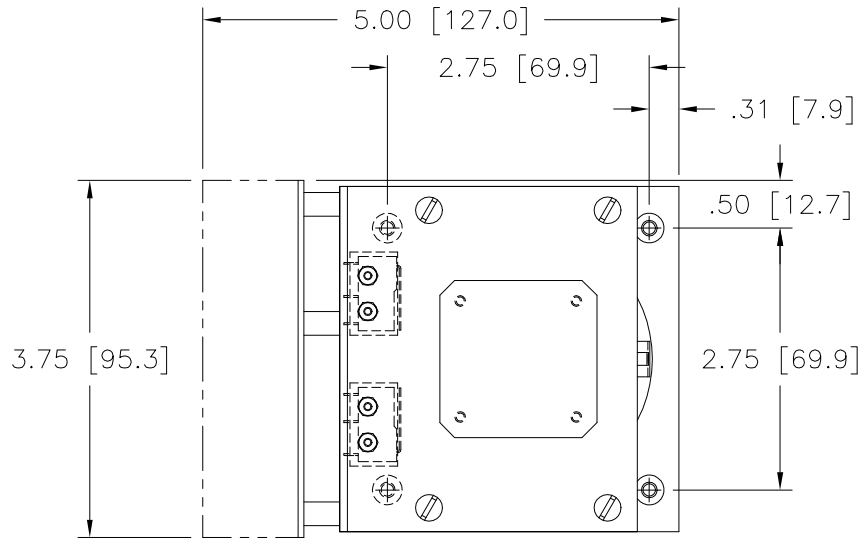
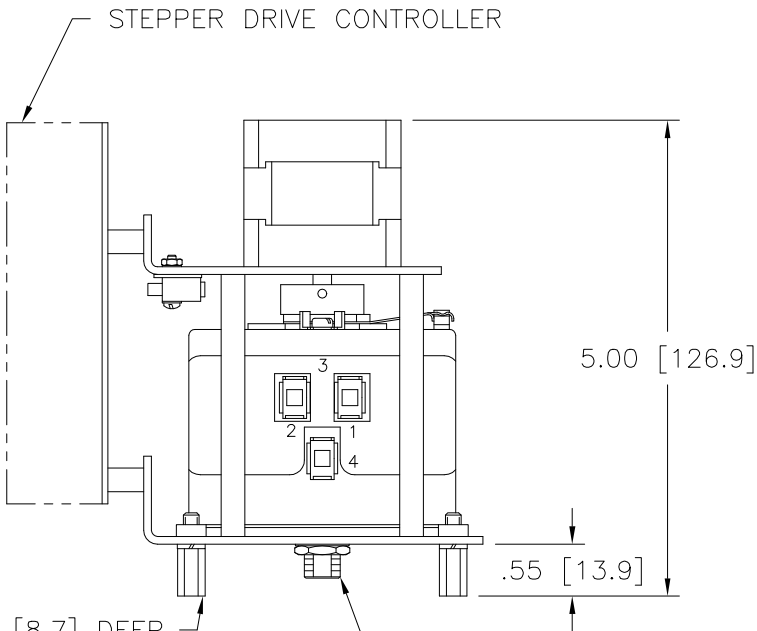


DWG. NO.	095-1942		
REVISIONS			
SYM.	E.C.N.	DATE	APVD.
A	24028	8/18/99	CLARIFIED 5VDC NOTE



SET POINT ADJUSTMENT:

THE OUTPUT SET POINT MAY BE ADJUSTED WITH THE REMOTE 1K POTENTIOMETER PROVIDED OR WITH A 0-5 VDC SIGNAL TO THE J3 CONNECTOR ON THE STEPPER DRIVE CONTROL. MAKE CONNECTIONS TO J3-2(+) & J3-3(-). A NOMINAL +5 VDC SETPOINT SUPPLY IS AVAILABLE AT J3-1 (ADJUSTABLE AT TRIMPOT R22).



#8-32 X .34 [8.7] DEEP THREADS (4) PLACES FOR MOUNTING ON REMOVABLE FEET OR #8-32 THREADS ON PLATE

3/8-32 NEF-2A THREAD

SPECIFICATIONS									
WIRING	INPUT		OUTPUT				TERMINAL CONNECTIONS		
	VOLTS	HERTZ	VOLTS	CONSTANT CURRENT LOAD		CONSTANT IMPEDANCE LOAD		INPUT	OUTPUT
				MAX. AMPS	MAX. KVA	MAX. AMPS	MAX. KVA		
SINGLE PHASE	120	50/60	0-120	3.0	0.36	3.5	0.42	1-2	1-3
		60	0-132	3.0	0.40	-	-	1-4	1-3

UNLESS OTHERWISE SPECIFIED, TOLERANCE IS ±			UNITS		TITLE: SPEC. CONTROL DRAWING					
DECIMALS	HOLES	ANGLES	DRAFT		STEPPER DRIVEN VARIABLE					
.XX	.0005	.002	1°		TRANSFORMER MODEL SD291					
MATERIAL:			ALL DIMENSIONS APPLY AFTER PLATING		DRAWN BY: S.A. SMITH		DATE: 9/5/97		FIRST USED ON	
					CHECKER		DATE		DO NOT SCALE DWG.	
					ENGINEER		DATE		CUSTOMER APPROVAL	
							SCALE 1=1		DATE	
							SHEET 1 OF 1		DWG. NO. 095-1942	

